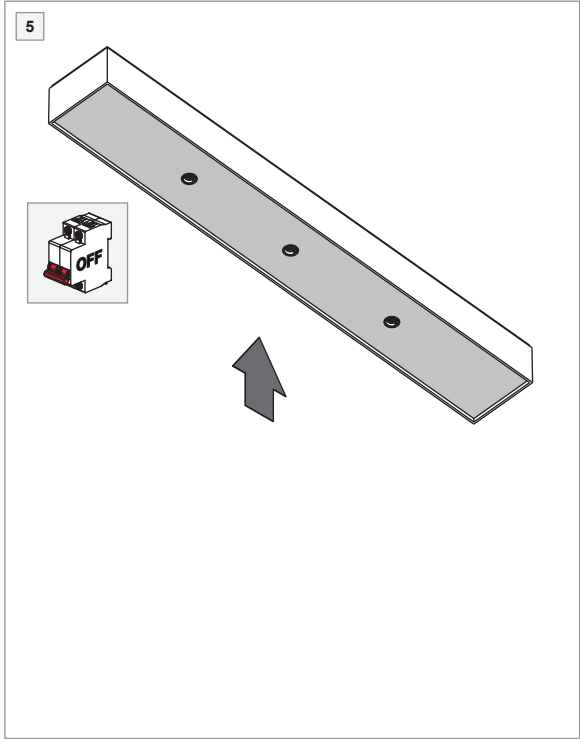
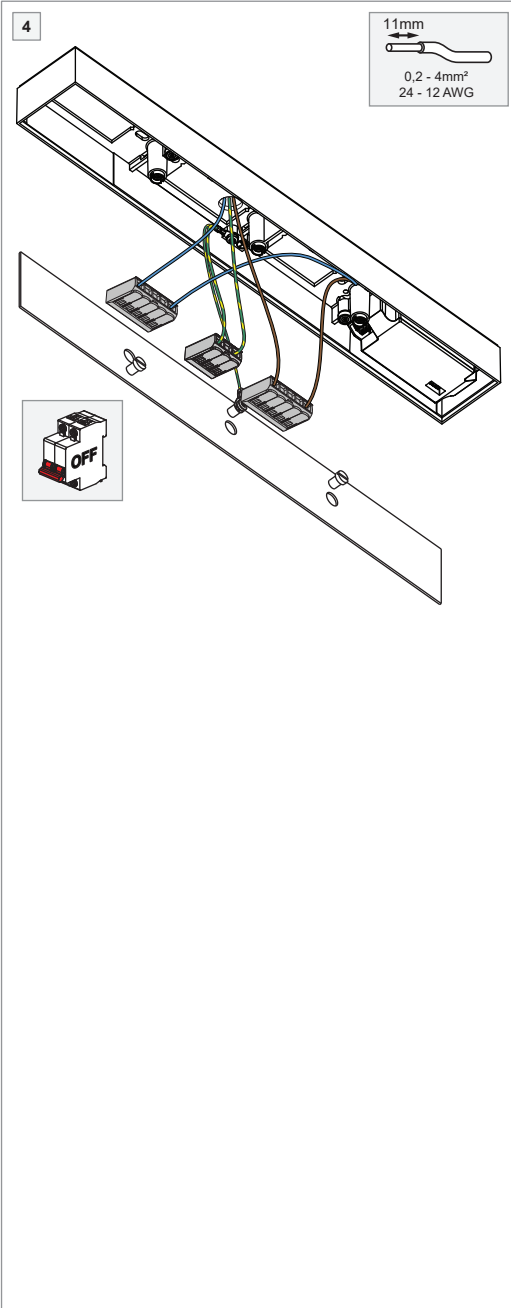
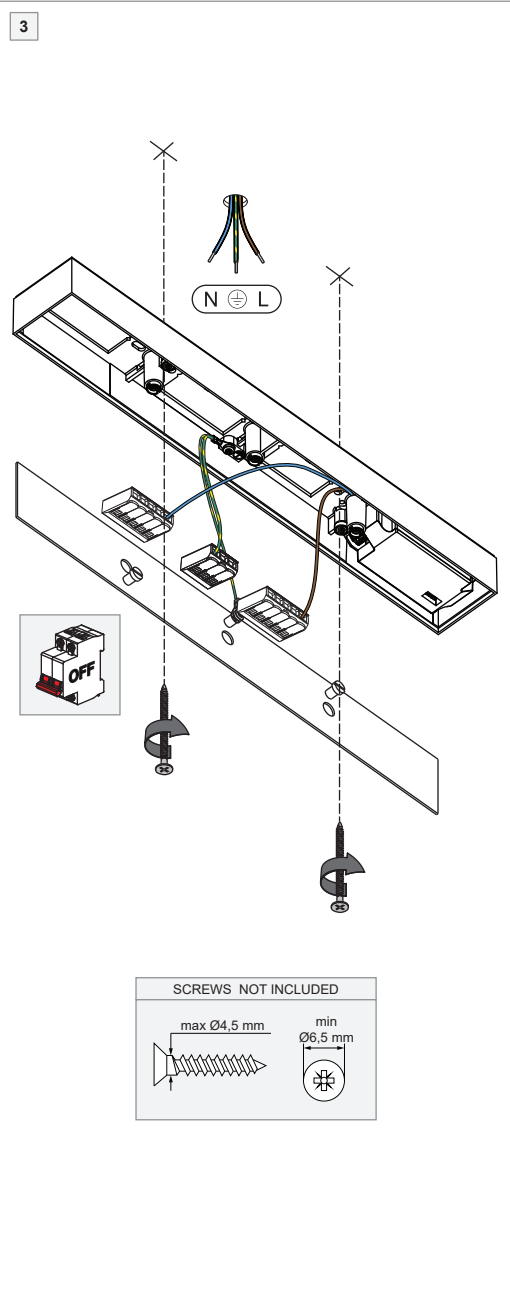
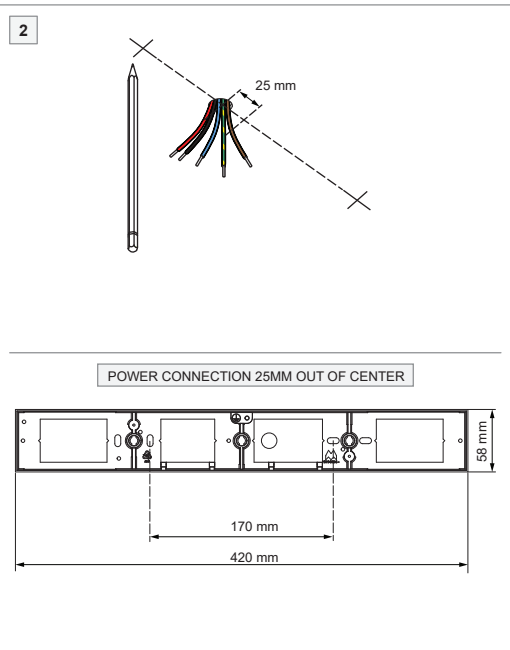
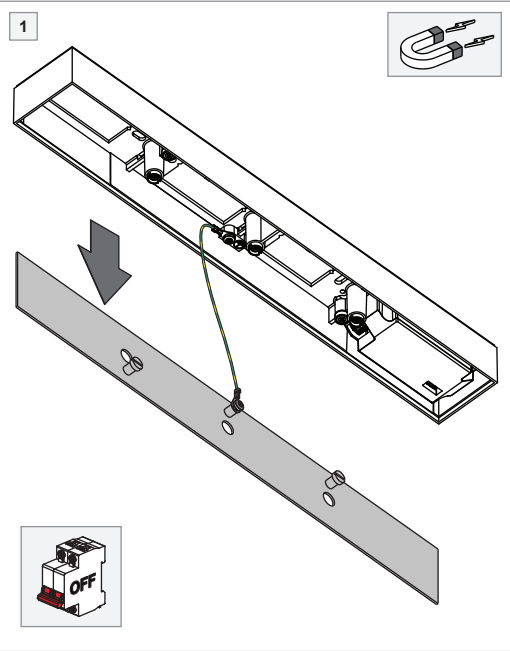


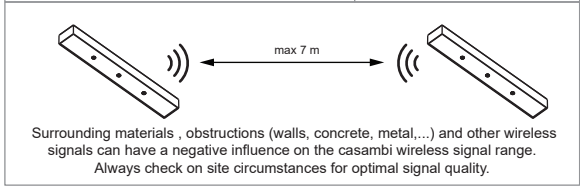
# Ceiling base 420x58 Casambi Gl for 3x jack

134940XX



**CASAMBI**  
www.casambi.com

Connect fixture to a Casambi network by using the Casambi App which can be downloaded from iOS App Store or Google Play Store.



**PREVENTING ELECTROSTATIC DAMAGE**

A discharge of static electricity may damage sensitive components. Always be properly grounded when touching leads or circuitry inside the luminaire. Use a wrist strap connected by a ground cord to the housing. Avoid touching the light sources with bare hands.

**DRIVERS & ACCESSORIES**

For latest version of driver matrix and available accessories check [www.supermodular.com](http://www.supermodular.com) or connect with your sales contact.