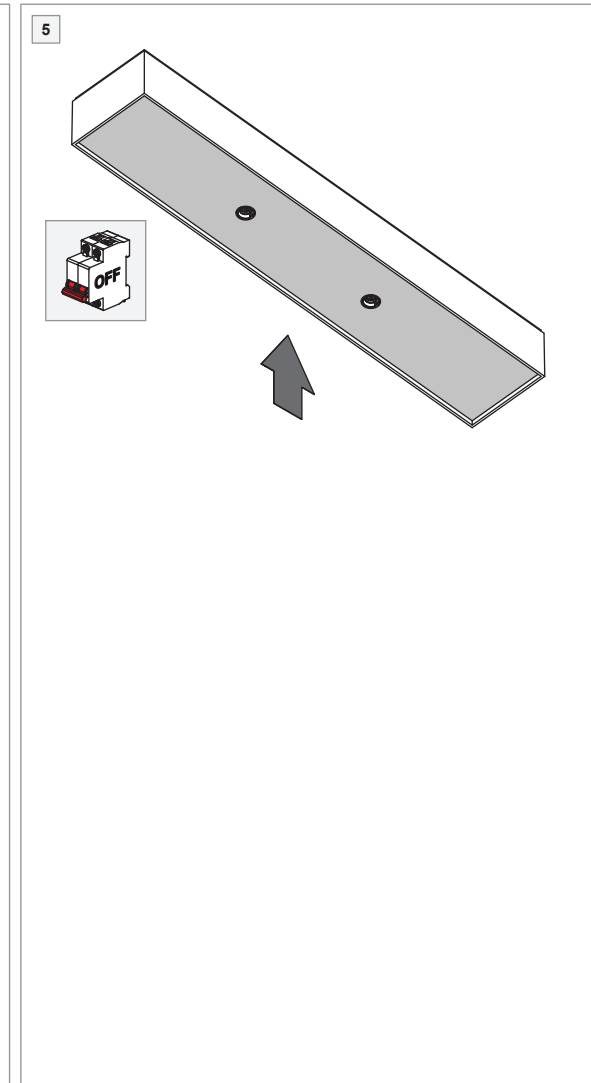
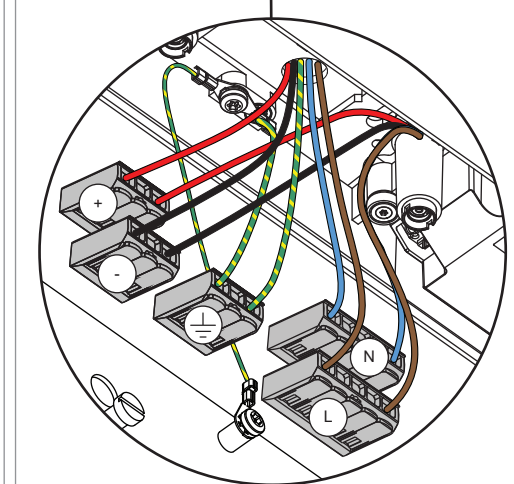
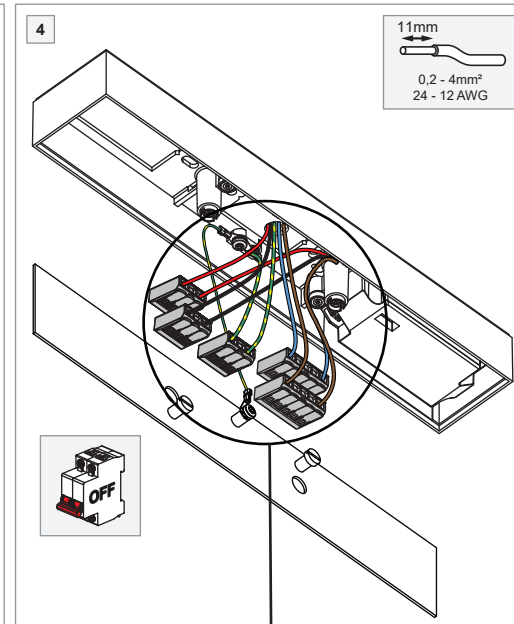
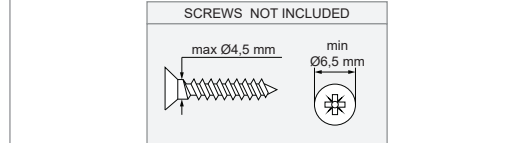
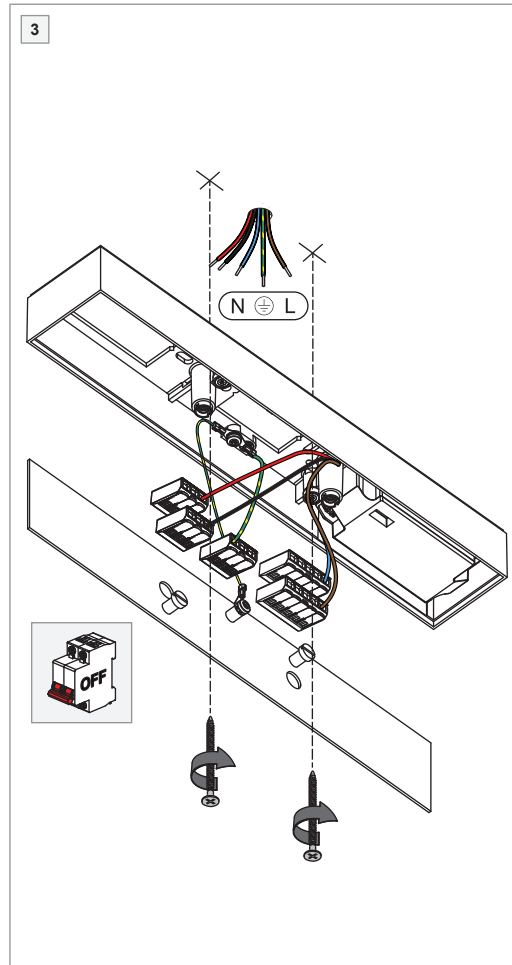
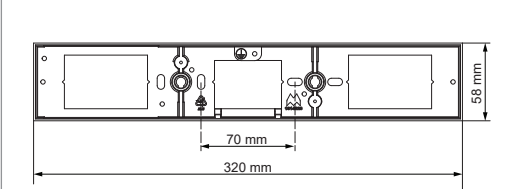
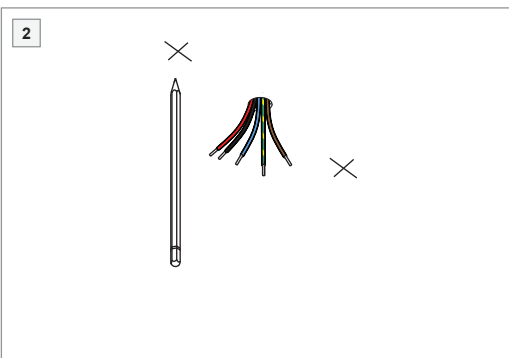
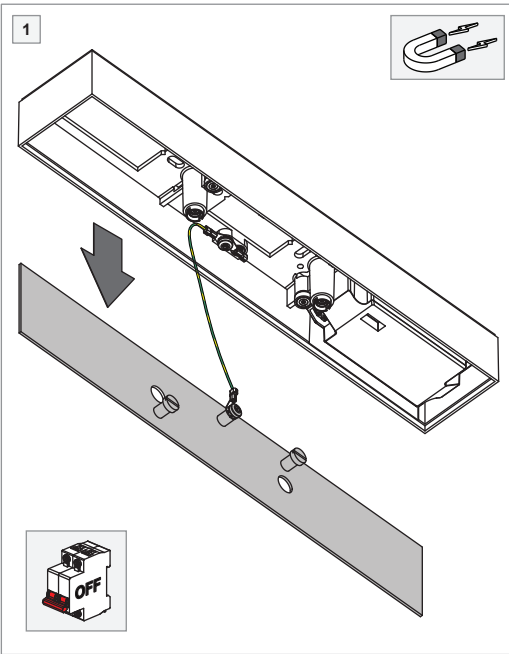



# Ceiling base 320x58 1-10V GI for 2x jack

134902XX



**PREVENTING ELECTROSTATIC DAMAGE**

 A discharge of static electricity may damage sensitive components. Always be properly grounded when touching leads or circuitry inside the luminaire. Use a wrist strap connected by a ground cord to the housing. Avoid touching the light sources with bare hands.

**DRIVERS & ACCESSORIES**

For latest version of driver matrix and available accessories check [www.supermodular.com](http://www.supermodular.com) or connect with your sales contact.

