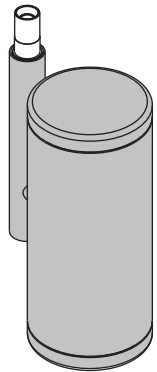


Médard 42 jack LED warm dim GE

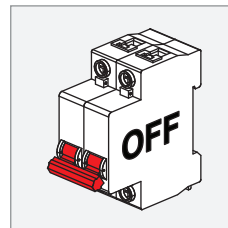
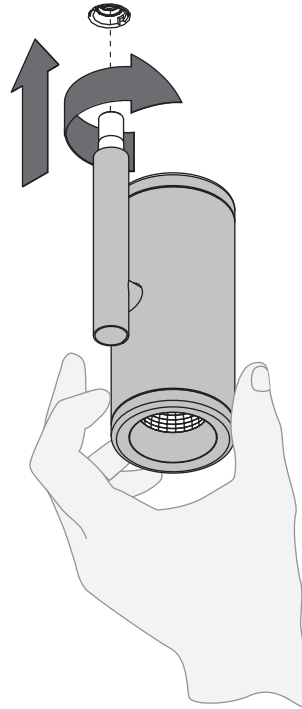
134344XX_134345XX

1 COMPONENTS

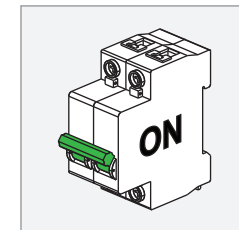
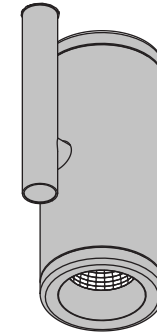


WARM DIM			
Drive Current (mA)	Forward Voltage		Power (W)
	min (Vf)	max (Vf)	
350	15,5	18,5	6
For serial connection, respect polarity!			
+ RED		- BLACK	

2 PLUG IN "MODUPOINT LED"



3 POWER INSTALLATION



DRIVERS & ACCESSORIES

For latest version of driver matrix and available accessories check www.supermodular.com or connect with your sales contact.