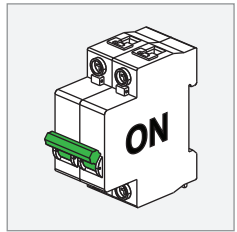
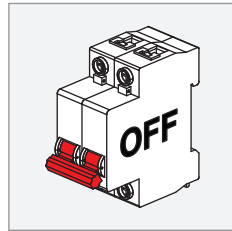
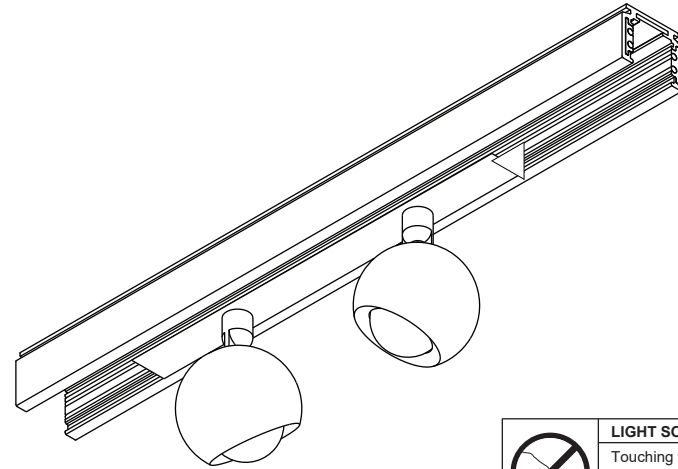
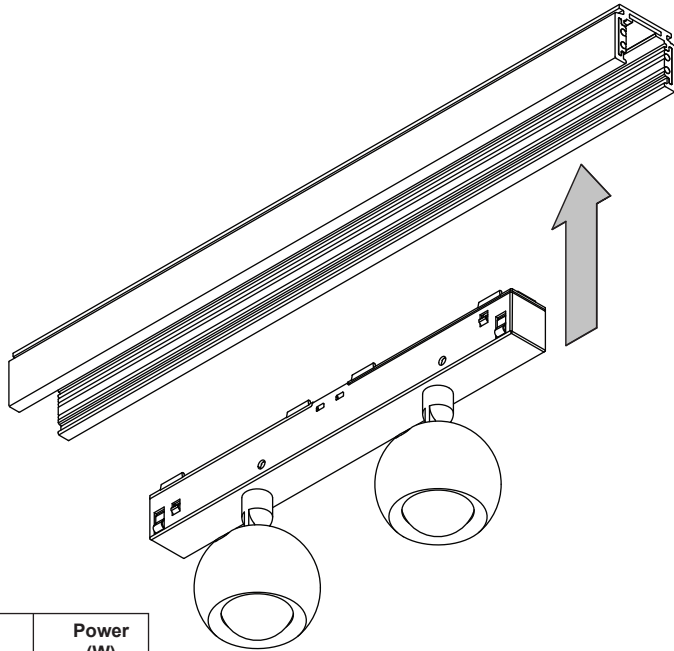
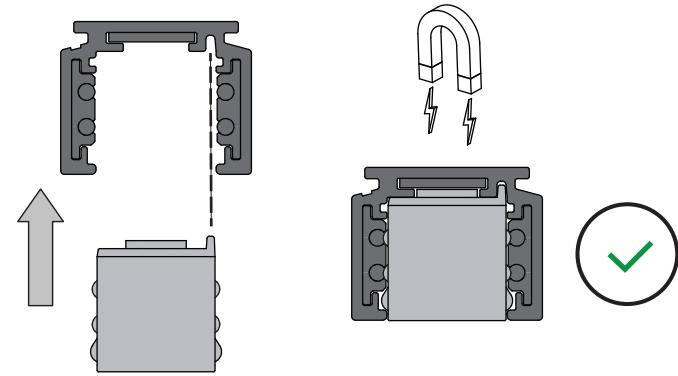
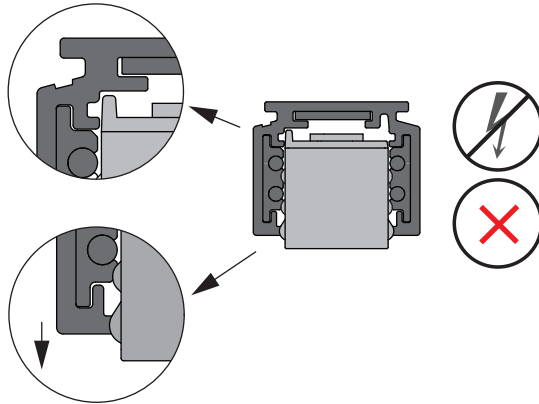
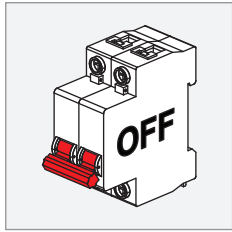


Marbulito Track 48V 2x

134210XX_134211XX_134214XX_134215XX



| | Voltage (V) | Power (W) |
|---------------|-------------|-----------|
| 2700K & 3000K | 48 | 10,5 |

⚡ **LIGHT SOURCE - DO NOT TOUCH LED**
 Touching the LED can result in permanent damage of the light source. The light source contained in this luminaire shall only be replaced by the manufacturer or his service agent or a similar qualified person.

⚠ **PREVENTING ELECTROSTATIC DAMAGE**
 A discharge of static electricity may damage sensitive components. Always be properly grounded when touching leads or circuitry inside the luminaire. Use a wrist strap connected by a ground cord to the housing. Avoid touching the light sources with bare hands.

DRIVERS & ACCESSORIES
 For latest version of driver matrix and available accessories check www.supermodular.com or connect with your sales contact.

