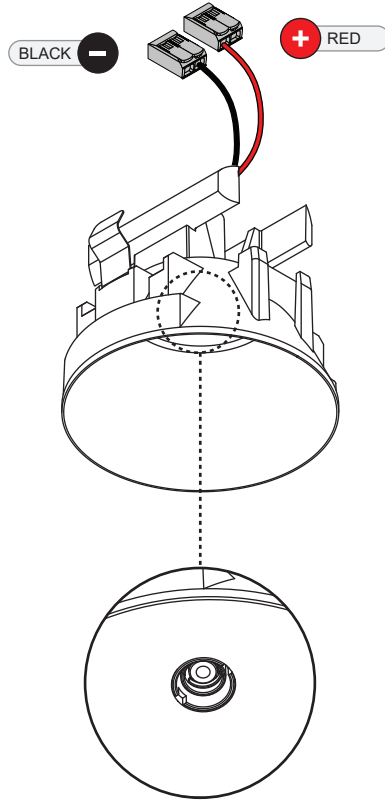


Modupoint Ø82 deep rec trimless

132406XX

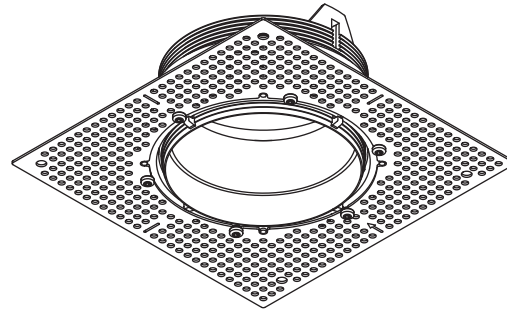
Modupoint LED Ø82 recessed trimless 1x



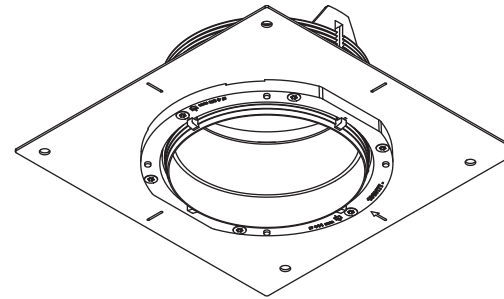
Provided with Modupoint LED
Combine with JACK LED FIXTURE

SHOULD BE USED WITH

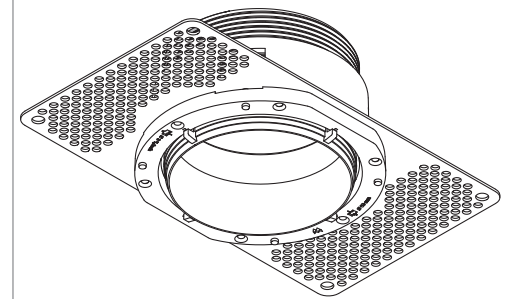
Gypkit trimless 150x150 Ø82
12293430



Concrete kit 150x150 - Ø82
13240930



Recessed ring Ø82
13241030



FIXTURE COMBINATION REMARKS

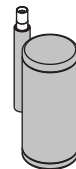


PREVENTING ELECTROSTATIC DAMAGE

A discharge of static electricity may damage sensitive components. Always be properly grounded when touching leads or circuitry inside the luminaire. Use a wrist strap connected by a ground cord to the housing. Avoid touching the light sources with bare hands.

DRIVERS & ACCESSORIES

For latest version of driver matrix and available accessories check www.supermodular.com or connect with your sales contact.



For Médard 42, always use 'Modupoint LED stick'.



For Minude full adjustability use 'Modupoint LED stick'. Without stick, only 30° possible.