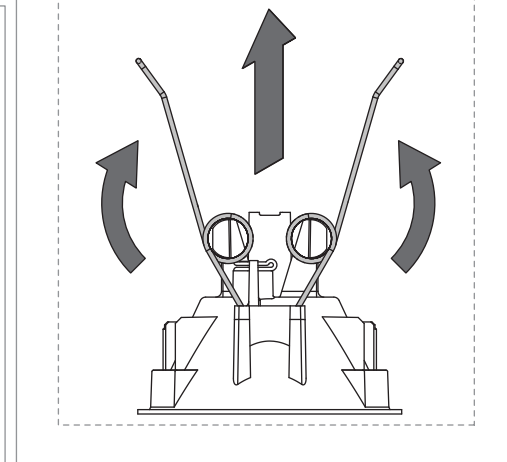
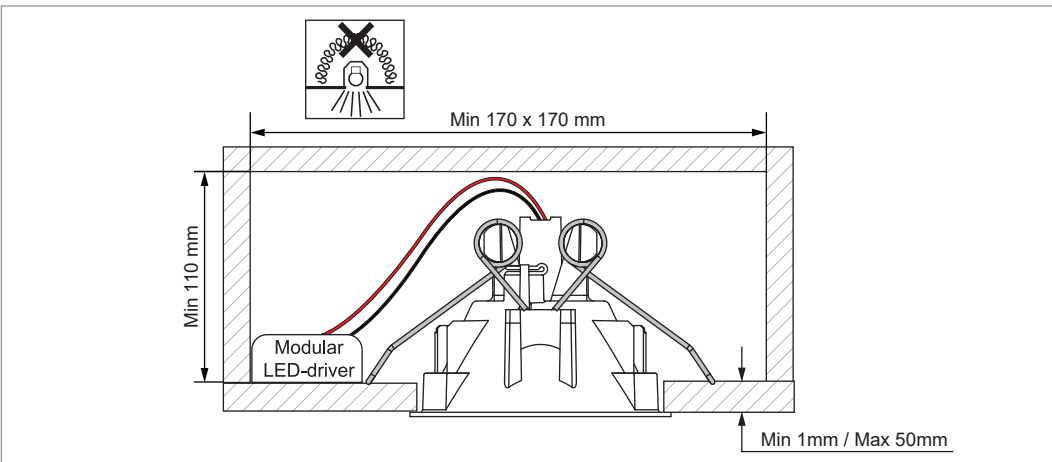
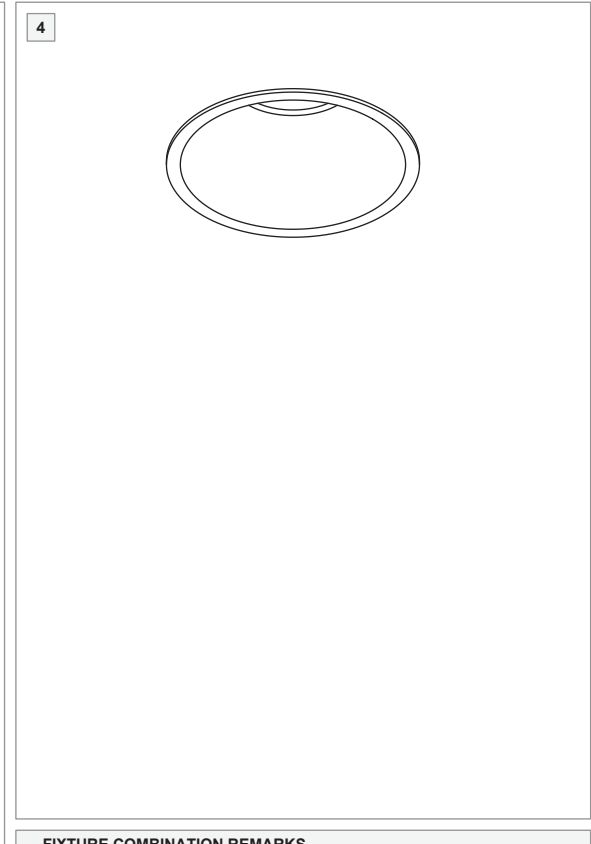
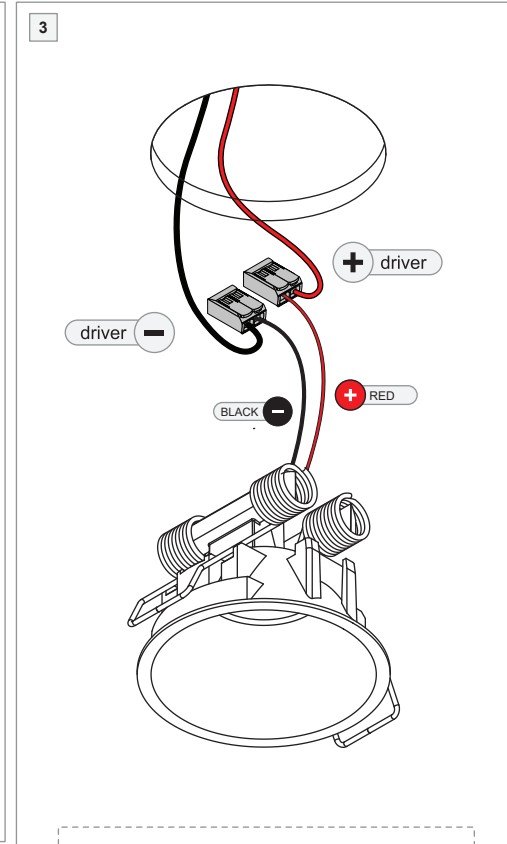
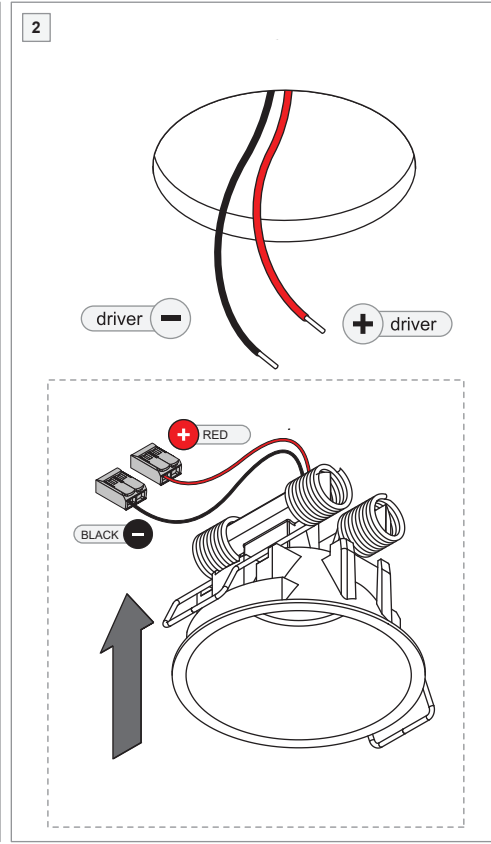
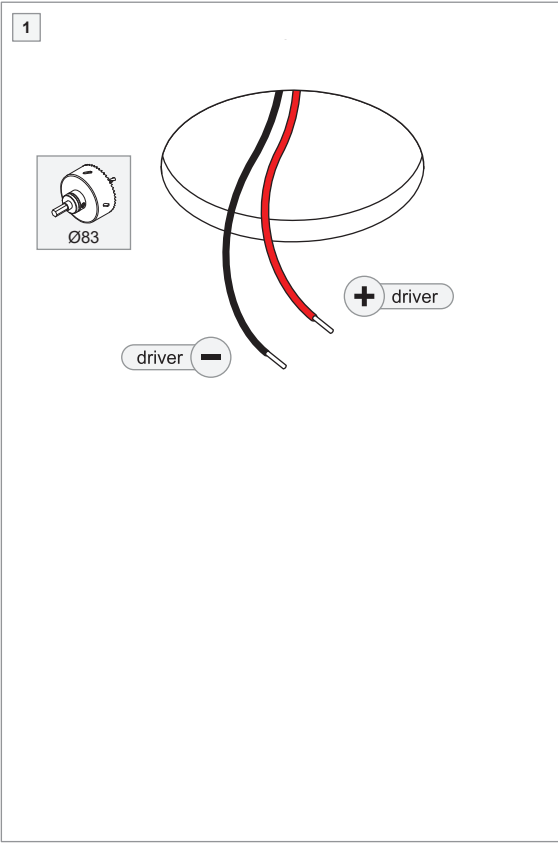


# Modupoint LED Ø90 deep recessed 1x

132405XX



## FIXTURE COMBINATION REMARKS

	For Médard 42, always use 'Modupoint LED stick'.
	For Minude full adjustability use 'Modupoint LED stick'. Without stick, only 30° possible.

## DRIVERS & ACCESSORIES

For latest version of driver matrix and available accessories check [www.supermodular.com](http://www.supermodular.com) or connect with your sales contact.