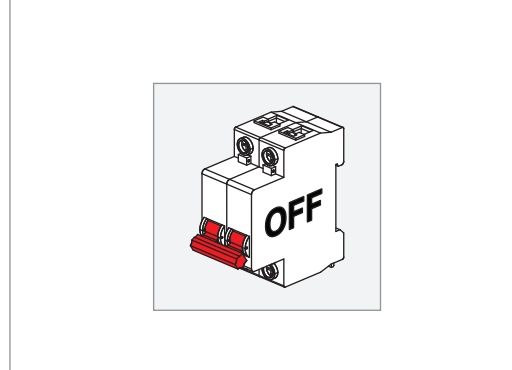
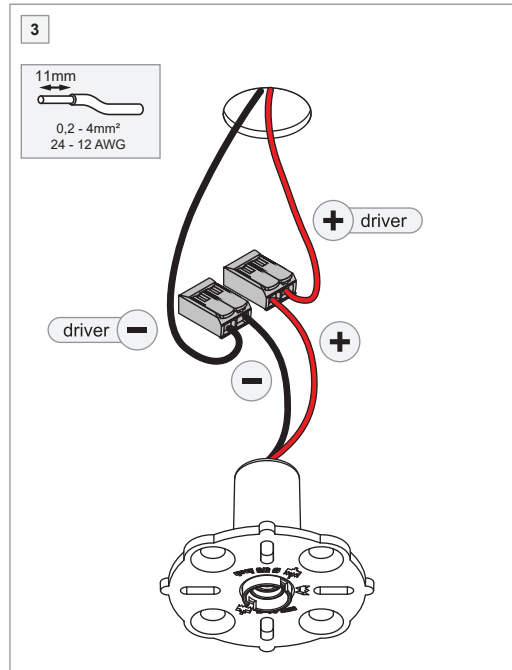
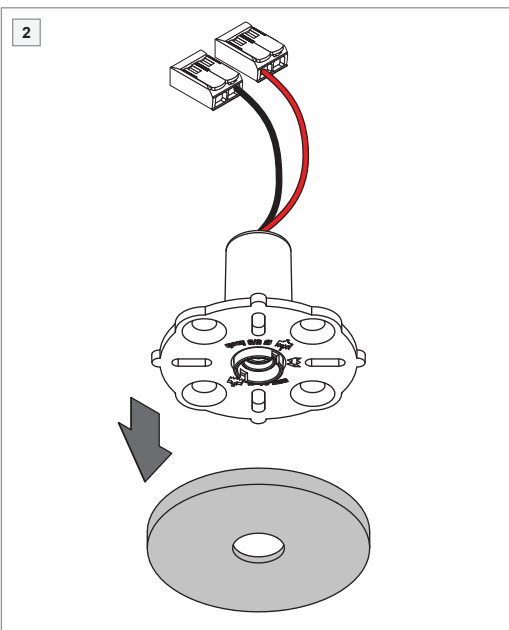
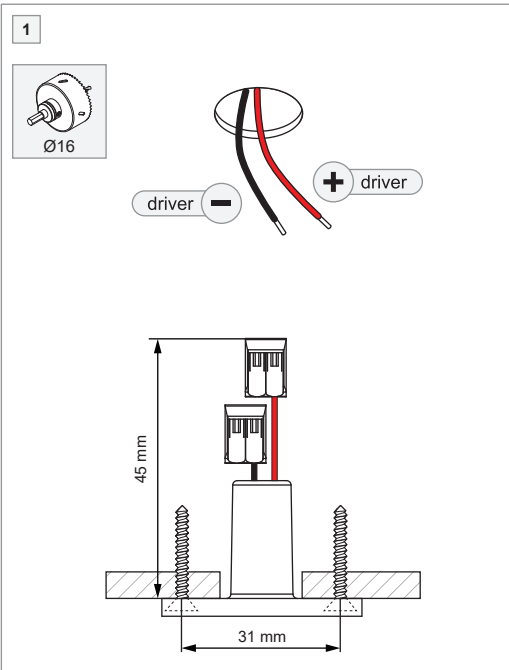


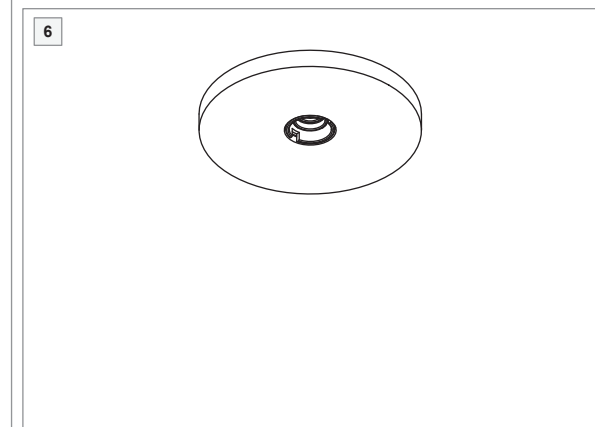
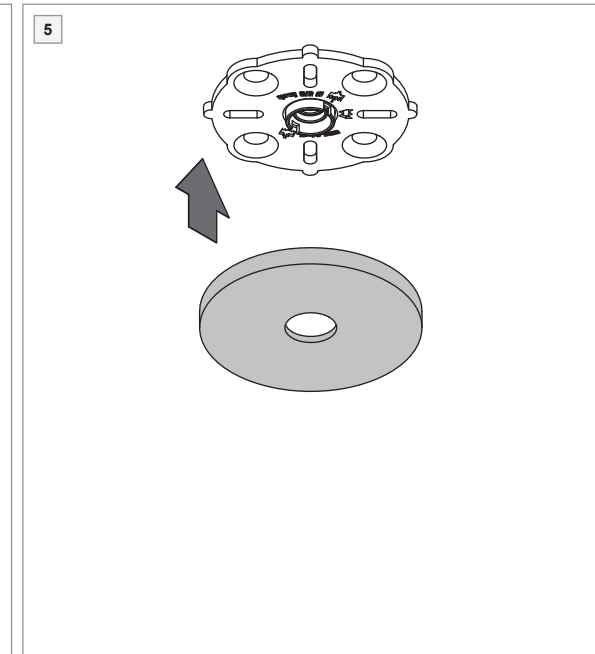
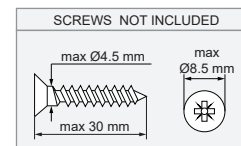
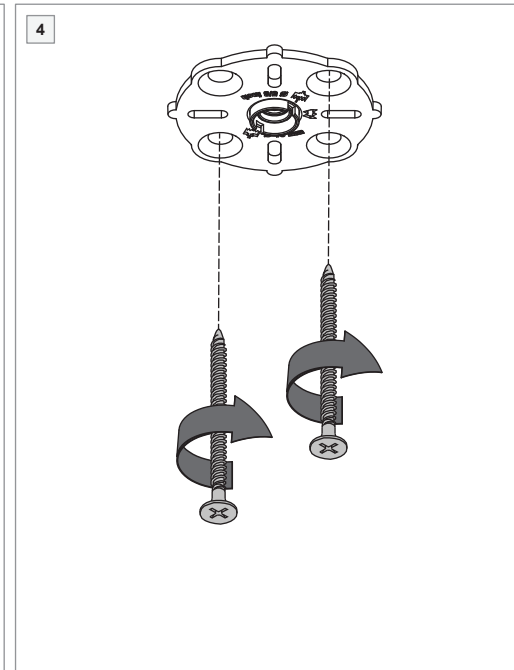
# Modupoint LED

132403XX



**⚠ TEST ELECTRICAL CONNECTION BEFORE NEXT STEP**

**⚠ MOUNT LED DRIVER REMOTE AND ACCESSIBLE**



## PREVENTING ELECTROSTATIC DAMAGE

A discharge of static electricity may damage sensitive components. Always be properly grounded when touching leads or circuitry inside the luminaire. Use a wrist strap connected by a ground cord to the housing. Avoid touching the light sources with bare hands.

## DRIVERS & ACCESSORIES

For latest version of driver matrix and available accessories check [www.supermodular.com](http://www.supermodular.com) or connect with your sales contact.