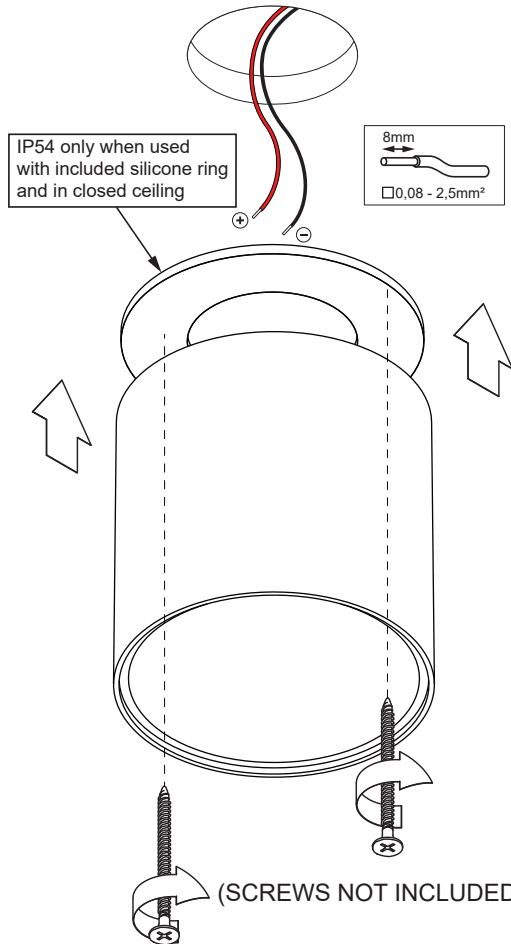
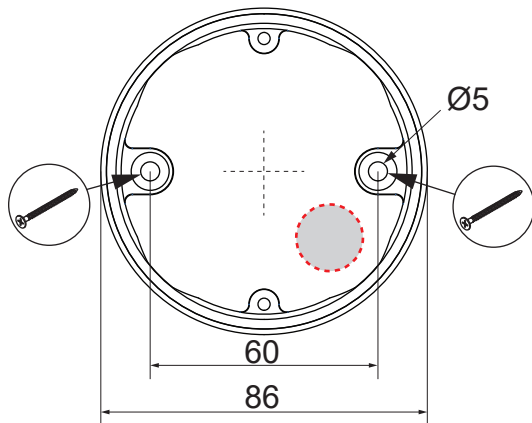
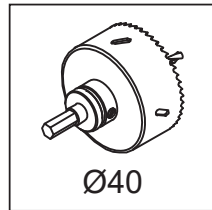
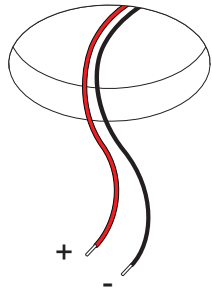


Smart surface tubed 82 small LED GE

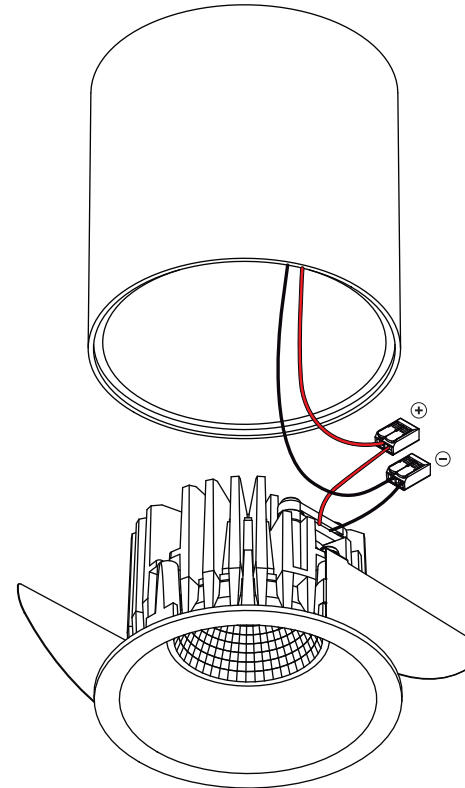
128410XX

VISUALIZATION WITH 'SMART LOTIS'
READ 'CAN BE USED WITH' FOR ALL
OTHER USEFUL 'SMART' PRODUCTS
'SMART 82 GE' FIXTURE NOT INCLUDED



Smart 82 (IP) warmdim LED GE:
Smart 82 adjustable warmdim LED GE:

WARM DIM			
Drive Current (mA)	Forward Voltage		Power (W)
	min (Vf)	max (Vf)	
350	15,5	18,5	6
For serial connection, respect polarity!			
⊕ RED		⊖ BLACK	

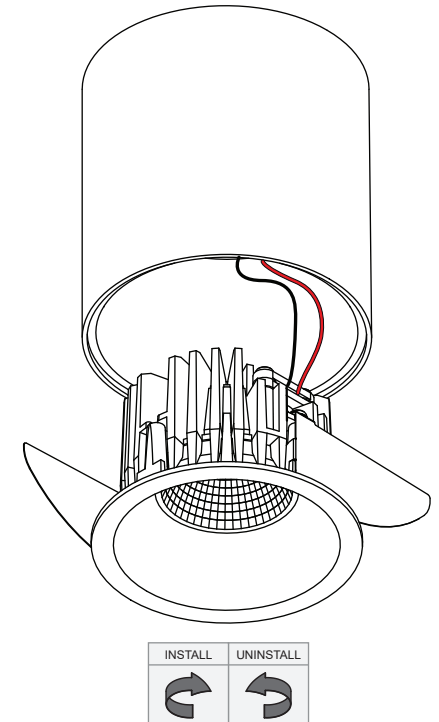


DRIVERS & ACCESSORIES

For latest version of driver matrix and available accessories check www.supermodular.com or connect with your sales contact.

Smart 82 (IP) LED GE:
Smart 82 adjustable LED GE:

Drive Current (mA)	Forward Voltage		Power (W)
	min (Vf)	max (Vf)	
350	16,5	19,2	6,2
500	17,1	19,8	9,2
For serial connection, respect polarity!			
⊕ RED		⊖ BLACK	



LIGHT SOURCE - DO NOT TOUCH LED

Touching the LED can result in permanent damage of the light source. The light source contained in this luminaire shall only be replaced by the manufacturer or his service agent or a similar qualified person.

PREVENTING ELECTROSTATIC DAMAGE

A discharge of static electricity may damage sensitive components. Therefore do not touch the LED nor the stripped parts of the wires with bare hands. Always be properly insulated by using ESD gloves.

CAN BE USED WITH:
Smart 82 (IP*) LED GE
Smart 82 adjustable LED GE
Smart 82 (IP*) warmdim LED GE
Smart 82 adjustable warmdim LED GE

