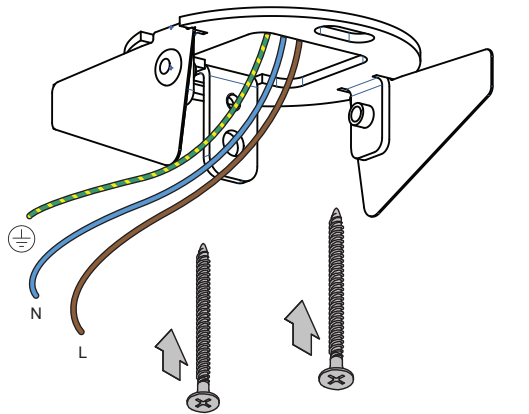
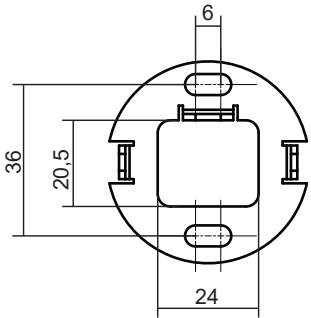


Smart surface tubed suspension 48 1x LED Tre dim GI

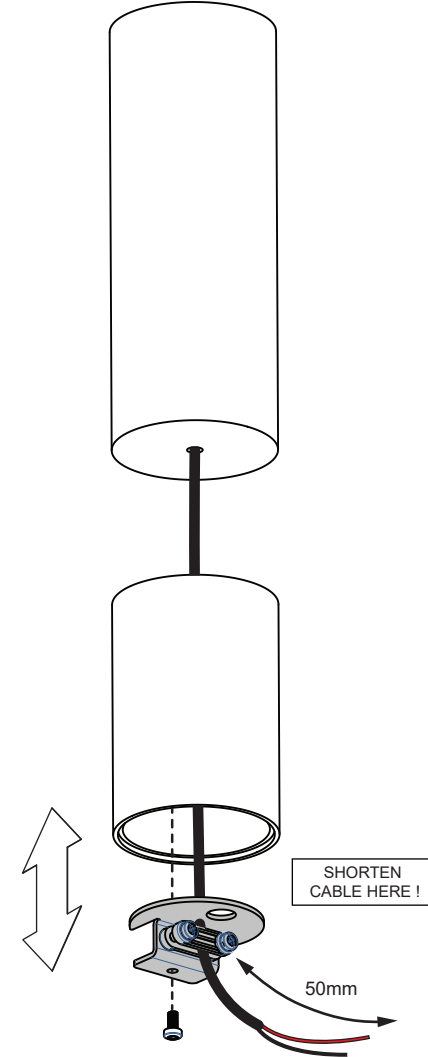
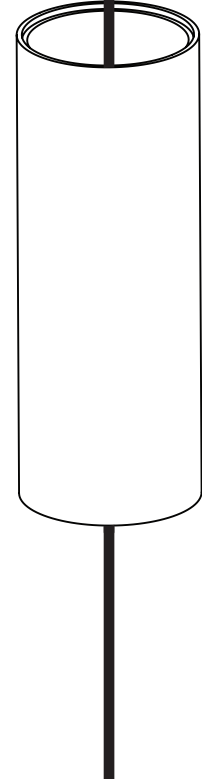
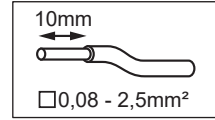
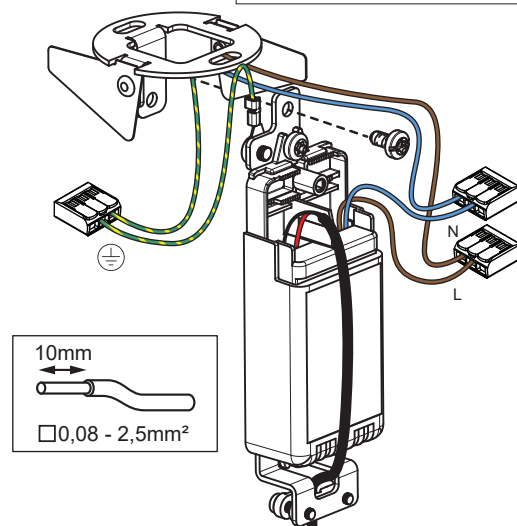
129020XX



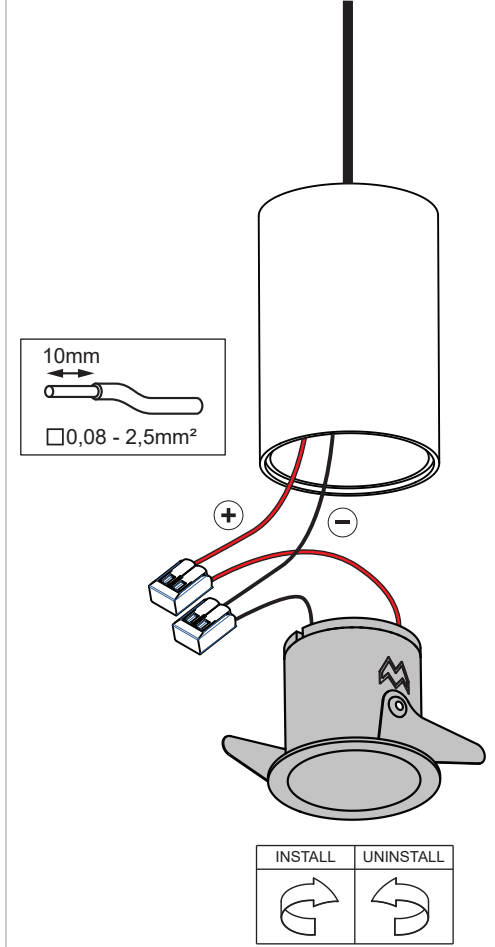
(SCREWS NOT INCLUDED)



500mA DRIVER INCLUDED



Not suitable for Smart 48 warm dim !!!



CAN BE USED WITH :

- Smart 48 (IP) LED GE
- Smart 48+ IP LED GE

CAN NOT BE USED WITH :

- Smart 48 (IP) asy lotis LED GE
- Smart 48+ asy lotis LED GE

