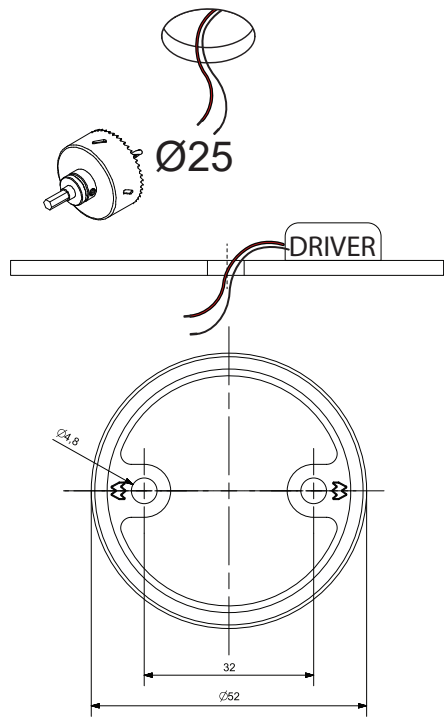


Smart surface Tubed 48 LED GE

129000XX

1



Smart 48(IP) LED GE

Drive Current (mA)	Forward Voltage		Power (W)
	min (Vf)	max (Vf)	
350	2,5	3,0	1,0
500	2,5	3,0	1,4

For serial connection, respect polarity!

⊕ RED

⊖ BLACK

Smart 48+ IP LED GE

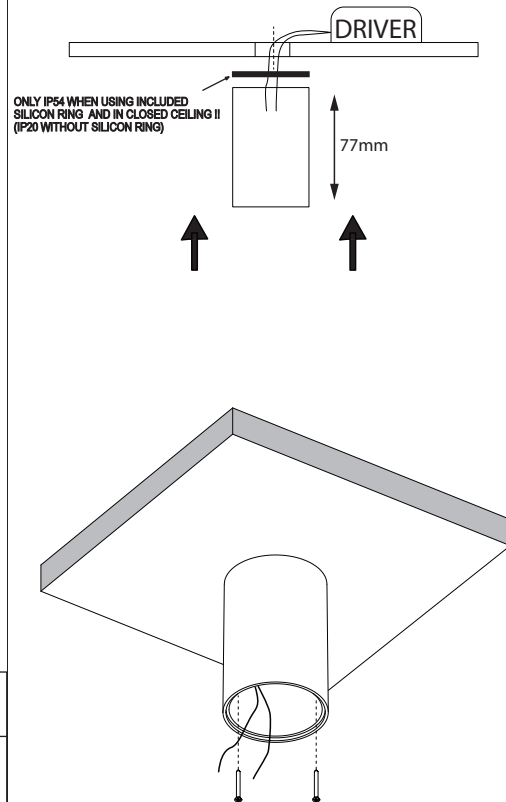
Drive Current (mA)	Forward Voltage		Power (W)
	min (Vf)	max (Vf)	
350	7,5	9,5	3,0
500	7,5	9,5	4,3

For serial connection, respect polarity!

⊕ RED

⊖ BLACK

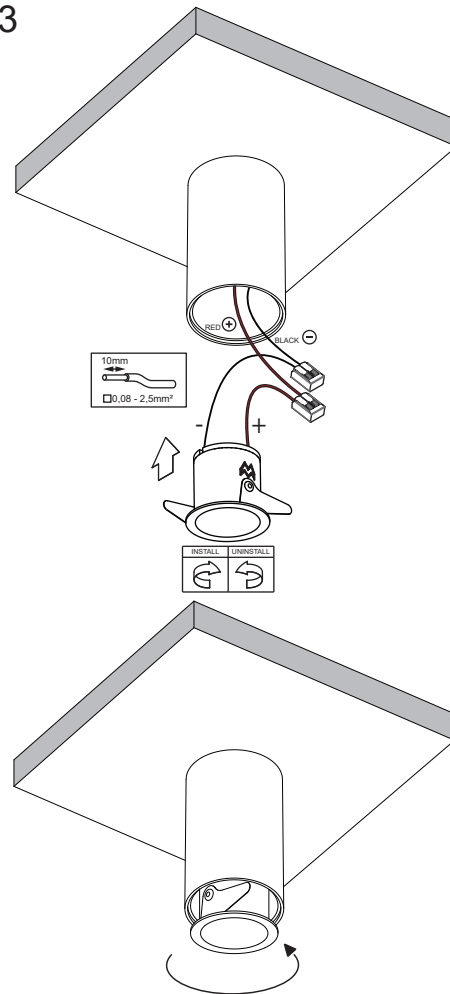
2



ADAPT SCREW LENGTH DEPENDING ON SURFACE THICKNESS (SCREWS NOT INCLUDED)

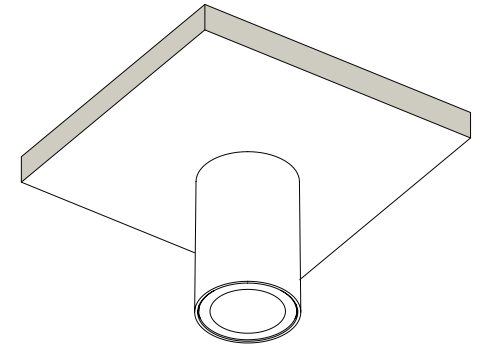
VISUALIZATION WITH "SMART LOTIS" READ "CAN BE USED WITH" FOR ALL OTHER USEFUL "SMART" PRODUCTS

3



INSTALLATION:
TWIST SMART COUNTER CLOCKWISE TO PUT IN

4



CAN BE USED WITH :

- Smart cake 48 LED GE and IP55
- Smart cake 48 + LED GE and warm dim
- Smart lotis 48 LED GE and IP55
- Smart lotis 48 + LED GE and warm dim
- Smart kup 48 LED GE and IP55
- Smart kup 48 + LED GE and warm dim

CAN NOT BE USED WITH :

- Smart 48 (IP) asy lotis LED GE
- Smart 48+ asy lotis LED GE
- Smart 48 (IP) asy lotis LED warm dim GE

