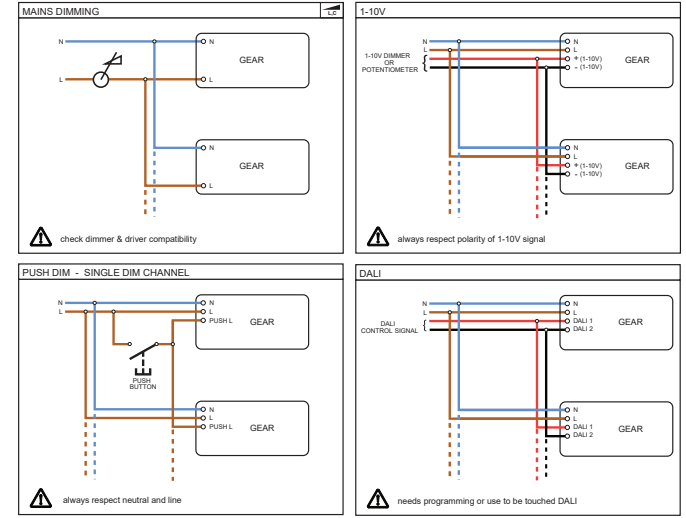
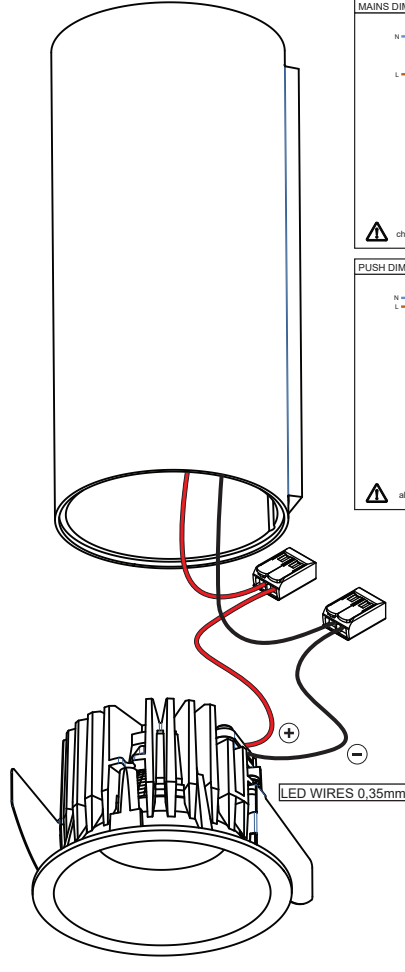
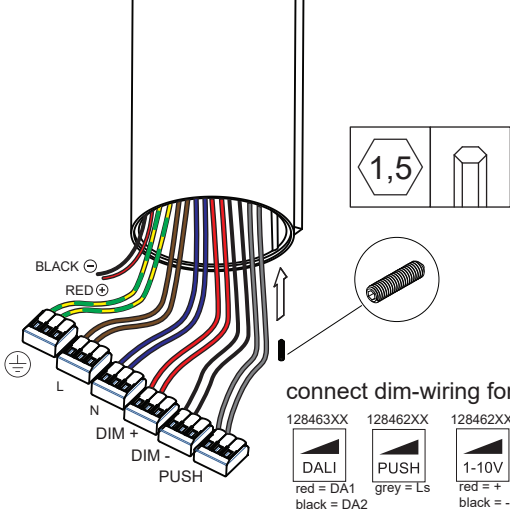
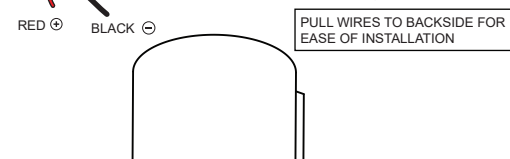
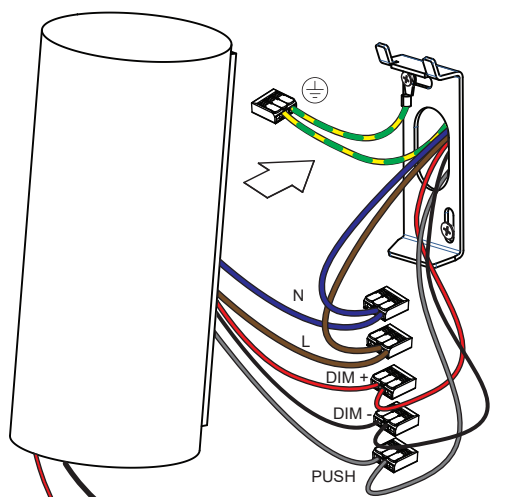
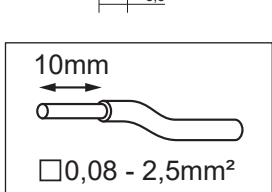
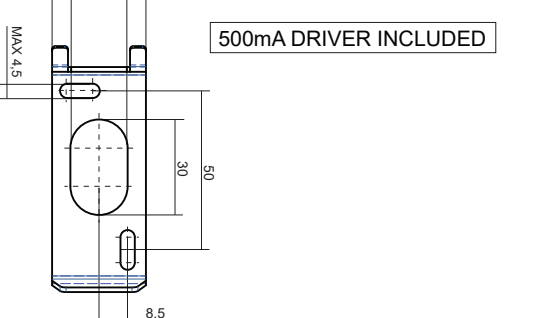
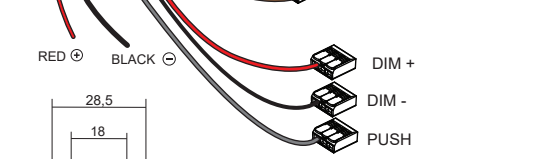
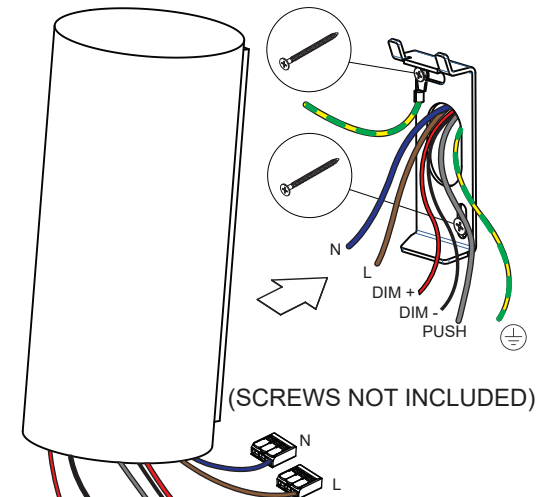


# SmartST XL Wall 82 1xLED GI

128461XX\_128462XX\_128463XX



- Always use a Smart IP rated fixture in the upright position
- LIGHT SOURCE - DO NOT TOUCH LED**  
Touching the LED can result in permanent damage of the light source. The light source contained in this luminaire shall only be replaced by the manufacturer or his service agent or a similar qualified person.
- PREVENTING ELECTROSTATIC DAMAGE**  
A discharge of static electricity may damage sensitive components. Therefore do not touch the LED nor the stripped parts of the wires with bare hands. Always be properly insulated by using ESD gloves.

**CAN BE USED WITH:**  
Smart 82 (IP\*) LED GE  
Smart 82 adjustable LED GE

**CAN NOT BE USED WITH:**  
Smart 82 (IP) warmdim LED GE  
Smart 82 adjustable warmdim LED GE

\*in combination with Smart Surface Tubed wall = IP20

220-230V 50-60Hz R,C 1-10V PUSH DALI