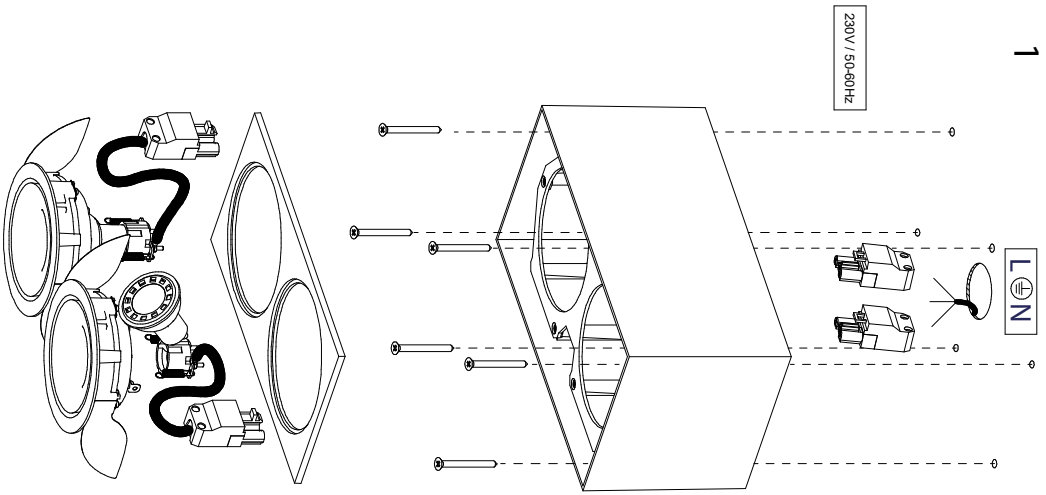
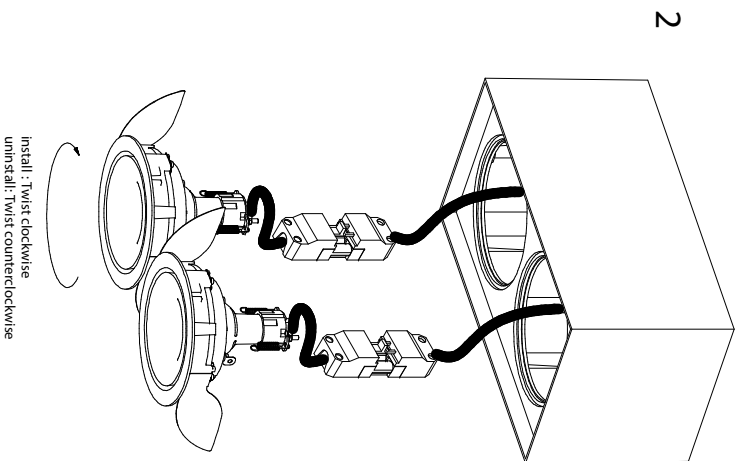


for Smart Adj Ø115 ESS50

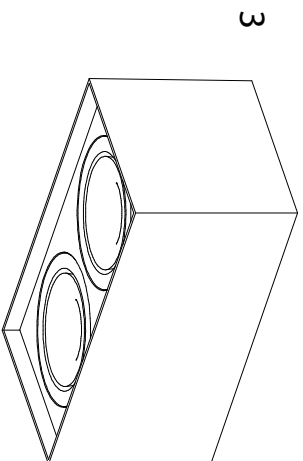


1



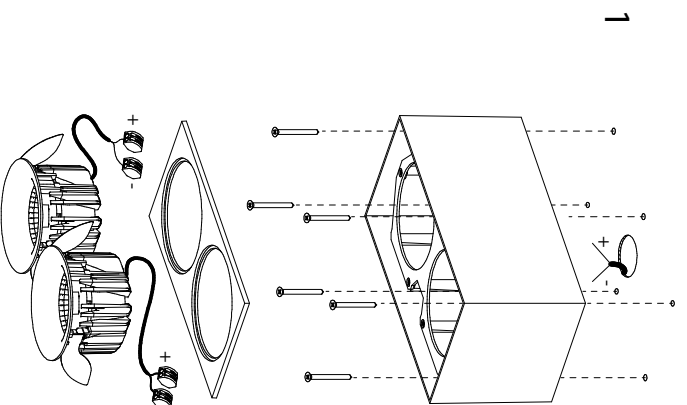
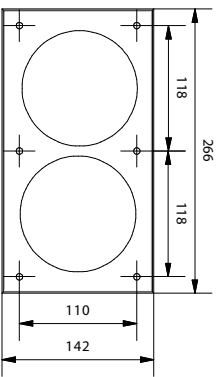
2

Install : Twist clockwise  
uninstall: Twist counterclockwise

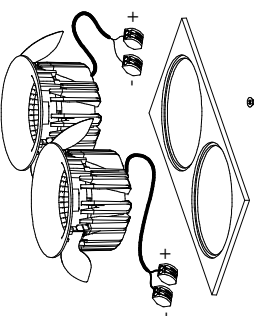


3

CAN BE USED WITH:  
Smart 115 adjustable ESS50  
MUST BE USED WITH:  
Smart Mask 115 2x



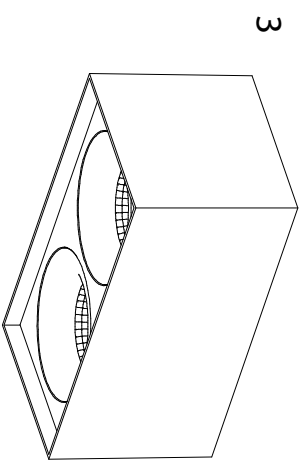
1



2

If combined on 1 driver  
SERIAL CONNECTION

Install : Twist clockwise  
uninstall: Twist counterclockwise



3

Smart 115 (IP) LED GE:

Drive Current (mA)	Forward Voltage min (V)	Forward Voltage max (V)	Power (W)
350	29.1	33.7	11.0
500	29.9	34.7	16.2

For serial connection, \*respect polarity!

⊕ RED ⊖ BLACK

Smart 115 adjustable LED GE:

Drive Current (mA)	Forward Voltage min (V)	Forward Voltage max (V)	Power (W)
350	16.5	19.2	6.2
500	17.1	19.8	9.2

For serial connection, \*respect polarity!

⊕ RED ⊖ BLACK

Smart 115 adjustable warmdim LED GE:

WARM DIM			
Drive Current (mA)	Forward Voltage min (V)	Forward Voltage max (V)	Power (W)
350	15.5	18.5	6

For serial connection, \*respect polarity!

⊕ RED ⊖ BLACK

CAN BE USED WITH:  
Smart 115 (IP\*) LED GE  
Smart 115 adjustable LED GE  
Smart 115 adjustable warmdim LED GE  
MUST BE USED WITH:  
Smart Mask 115 2x

\*In combination with Surface Box = IP20