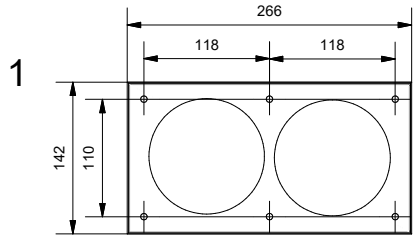


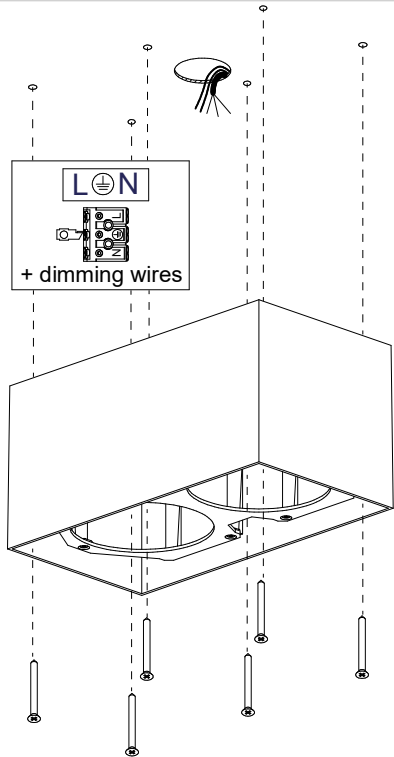
Smart Surface Box 115 GI for 2L

128010XX_128011XX_128012XX

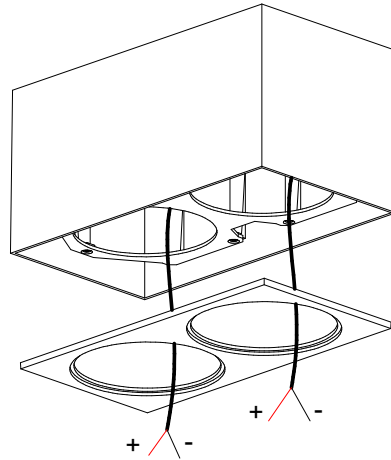


500mA DRIVER INCLUDED

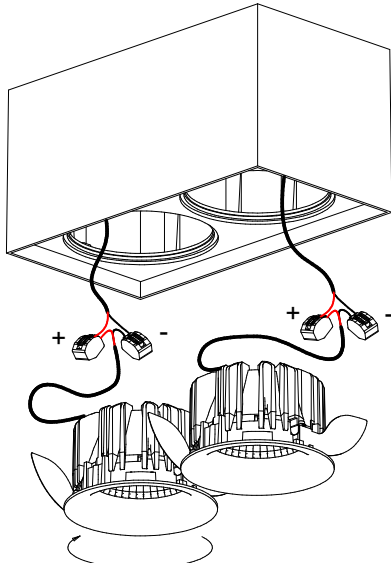
2



3

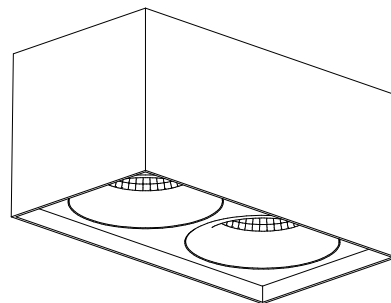


4

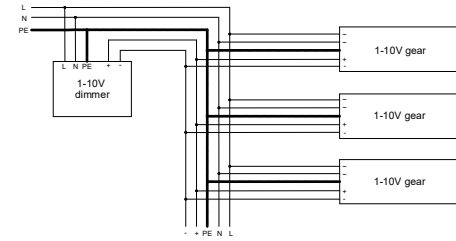


install : Twist clockwise
uninstall: Twist counterclockwise

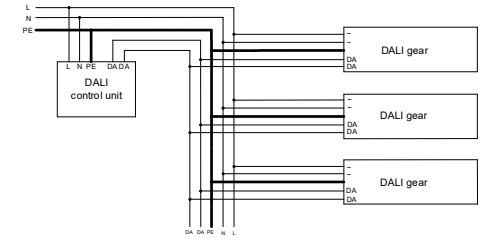
5



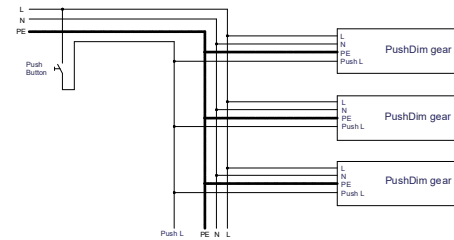
Sample 1-10V wiring diagram:



Sample DALI wiring diagram:



Sample PushDim wiring diagram:

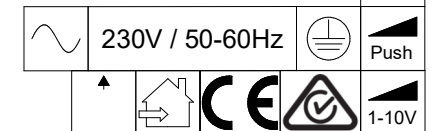


CAN BE USED WITH:
Smart 115 (IP*) LED GE
Smart 115 adjustable LED GE

MUST BE USED WITH:
Smart Mask 115 2x

CAN NOT BE USED WITH:
Smart 115 adjustable warmdim LED GE

*in combination with Smart Surface Box = IP20



SMART 115 GE and MASK not included