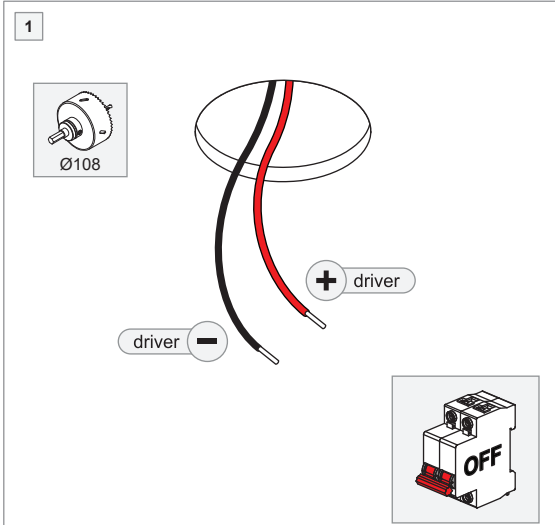
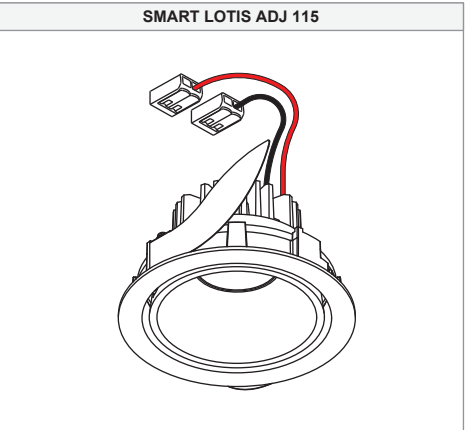
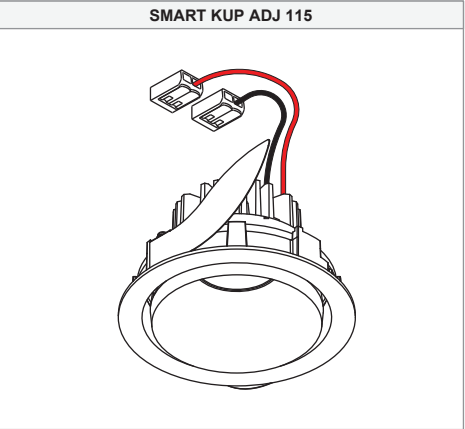
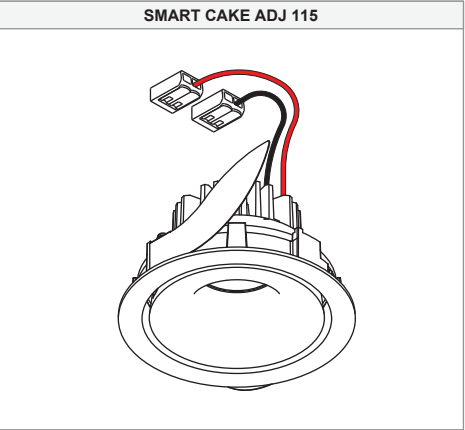


Smart Cake/Kup/Lotis 115 Adj LED DE

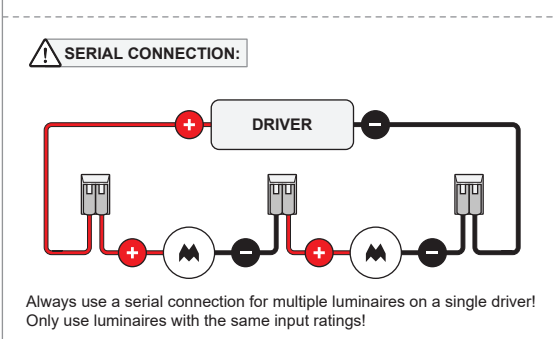
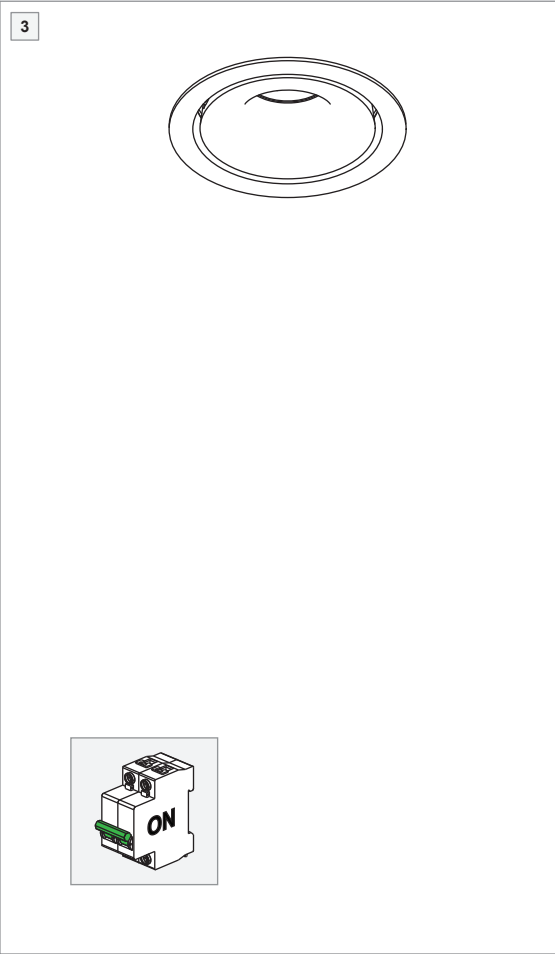
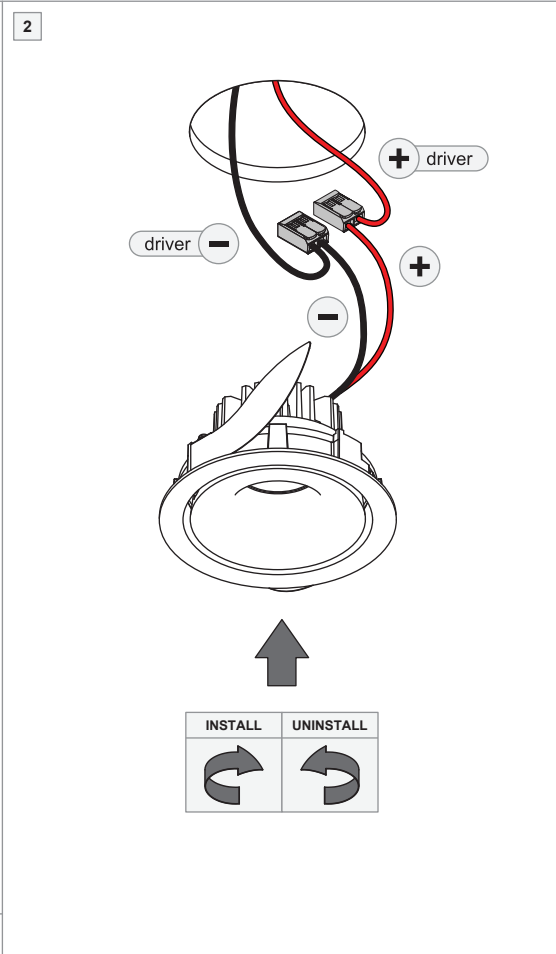
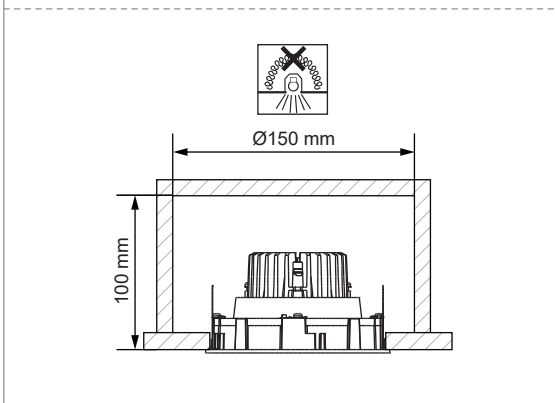
127710XX_127711XX_127712XX_127713XX_127714XX_127715XX_127716XX_127717XX_127718XX_127810XX_127811XX_127812XX_127813XX_127814XX_127815XX_127816XX_127817XX_127818XX_127910XX_127911XX_127912XX_127913XX_127914XX_127915XX_127916XX_127917XX_127918XX



ELECTRICAL SPECS LED-FIXTURE			
Drive Current (mA)	Forward Voltage		Power (W)
	min (Vf)	max (Vf)	
350	16,5	19,2	6,2
500	17,1	19,8	9,2
700	17,7	20,8	13,4

+ RED - BLACK

For serial connection, respect polarity!
Not suited for connection to mains voltage.
Combine with a Modular LED-driver.



⚠ LIGHT SOURCE - DO NOT TOUCH LED

Touching the LED can result in permanent damage of the light source. The light source contained in this luminaire shall only be replaced by the manufacturer or his service agent or a similar qualified person.

⚠ PREVENTING ELECTROSTATIC DAMAGE

A discharge of static electricity may damage sensitive components. Therefore do not touch the LED nor the stripped parts of the wires with bare hands. Always be properly insulated by using ESD gloves.

DRIVERS & ACCESSORIES

For latest version of driver matrix and available accessories check www.supermodular.com or connect with your sales contact.