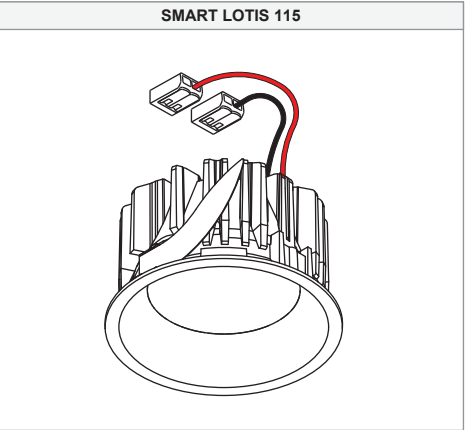
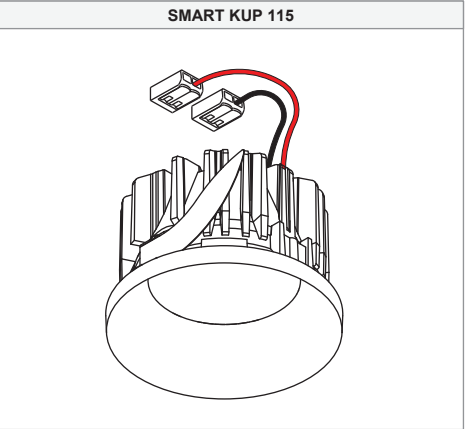
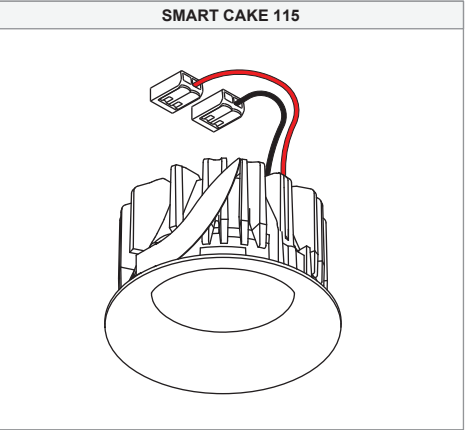


# Smart Cake/Kup/Lotis 115 (diffuse) IP54 LED DE

127403XX\_127404XX\_127405XX\_127420XX\_127421XX\_127422XX\_127423XX\_127424XX\_127425XX\_127426XX\_127427XX\_127428XX\_127430XX\_127431XX\_127435XX\_127503XX\_127504XX\_127505XX\_127520XX\_127521XX\_127522XX\_127523XX\_127524XX\_127525XX\_127526XX\_127527XX\_127528XX\_127530XX\_127531XX\_127535XX\_127603XX\_127604XX\_127605XX\_127620XX\_127621XX\_127622XX\_127623XX\_127624XX\_127625XX\_127626XX\_127627XX\_127628XX\_127630XX\_127631XX\_127635XX



**1**

Ø108

+ driver

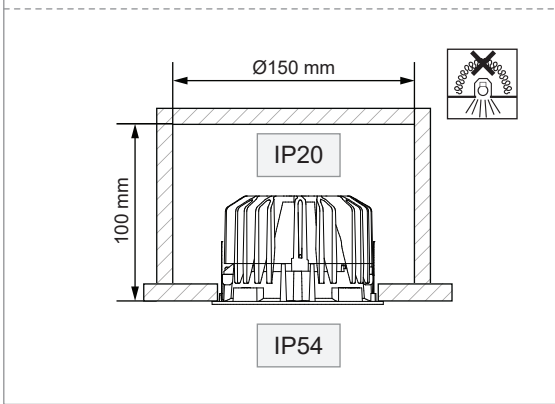
- driver

OFF

ELECTRICAL SPECS LED-FIXTURE			
Drive Current (mA)	Forward Voltage		Power (W)
	min (Vf)	max (Vf)	
350	29,1	33,7	11,0
500	29,9	34,7	16,2
700	31,0	35,8	23,4

+ RED      - BLACK

For serial connection, respect polarity!  
Not suited for connection to mains voltage.  
Combine with a Modular LED-driver.



**2**

+ driver

- driver

ON

INSTALL    UNINSTALL

**⚠ SERIAL CONNECTION:**

DRIVER

Always use a serial connection for multiple luminaires on a single driver!  
Only use luminaires with the same input ratings!

**3**

ON

Replace protective shield when broken. The luminaire shall only be used complete with its protective shield. Reference number: 1009392 (clear) or 1009467 (diffuse)

**LIGHT SOURCE - DO NOT TOUCH LED**  
Touching the LED can result in permanent damage of the light source. The light source contained in this luminaire shall only be replaced by the manufacturer or his service agent or a similar qualified person.

**PREVENTING ELECTROSTATIC DAMAGE**  
A discharge of static electricity may damage sensitive components. Therefore do not touch the LED nor the stripped parts of the wires with bare hands. Always be properly insulated by using ESD gloves.

**DRIVERS & ACCESSORIES**  
For latest version of driver matrix and available accessories check [www.supermodular.com](http://www.supermodular.com) or connect with your sales contact.