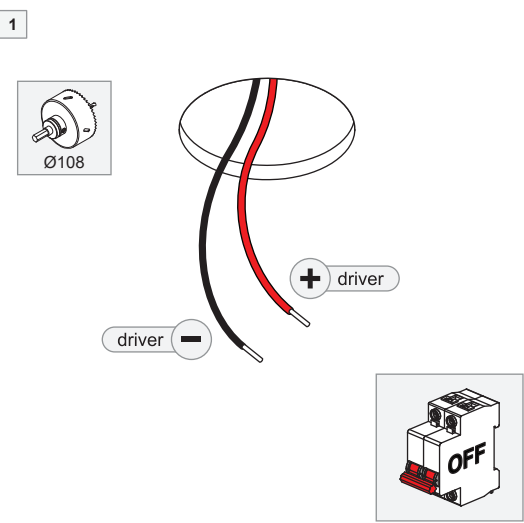
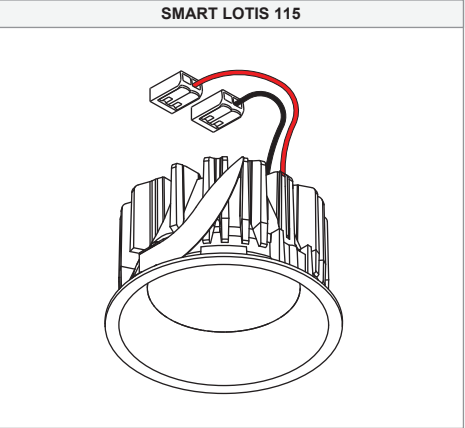
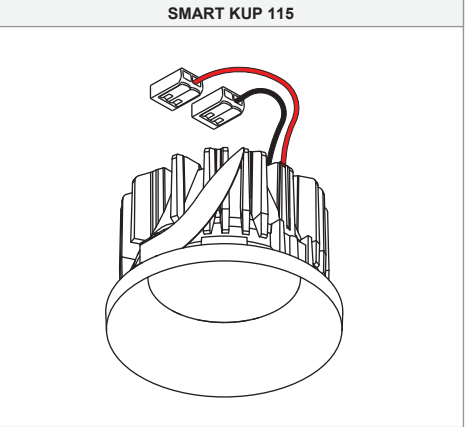
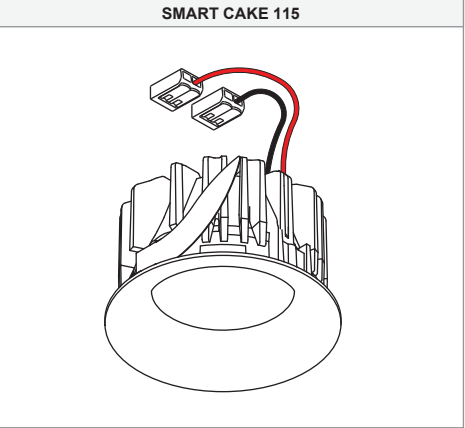


Smart Cake/Kup/Lotis 115 (diffuse) IP54 LED DE

127403XX_127404XX_127405XX_127420XX_127421XX_127422XX_127423XX_127424XX_127425XX_127426XX_127427XX_127428XX_127430XX_127431XX_127435XX_127503XX_127504XX_127505XX_127520XX_127521XX_127522XX_127523XX_127524XX_127525XX_127526XX_127527XX_127528XX_127530XX_127531XX_127535XX_127603XX_127604XX_127605XX_127620XX_127621XX_127622XX_127623XX_127624XX_127625XX_127626XX_127627XX_127628XX_127630XX_127631XX_127635XX

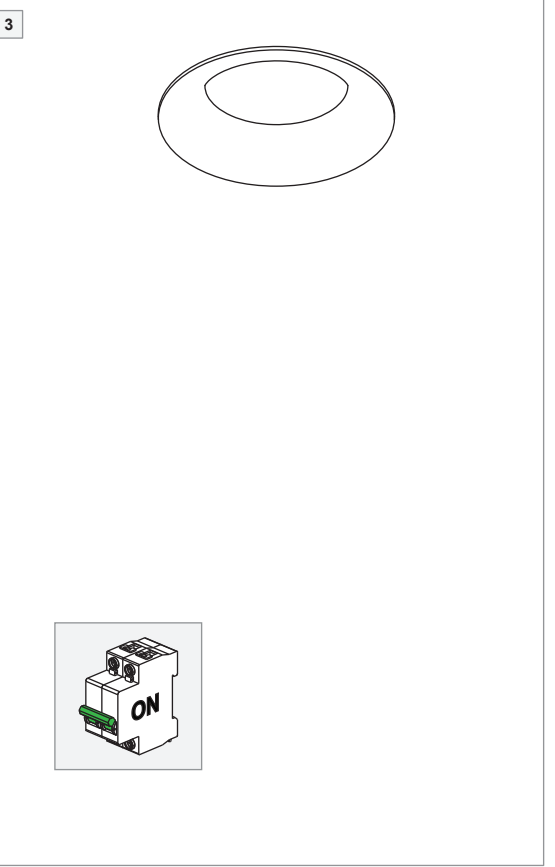
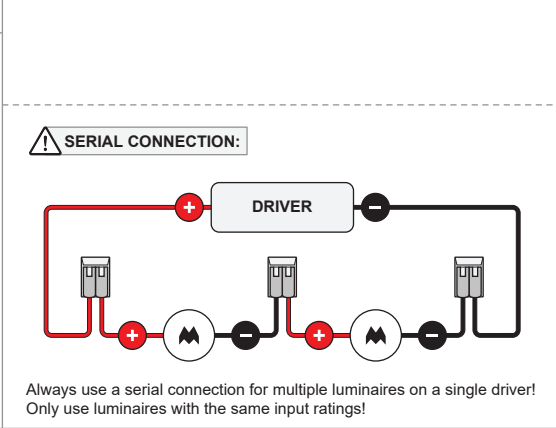
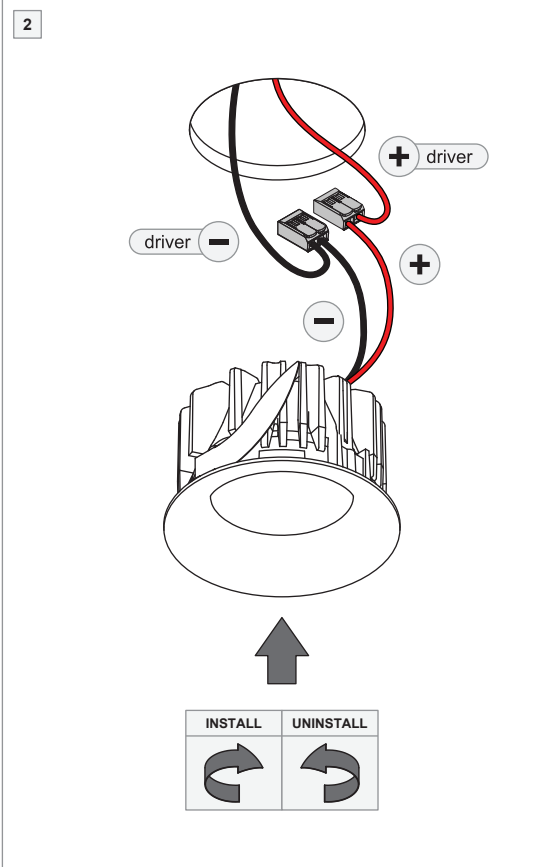
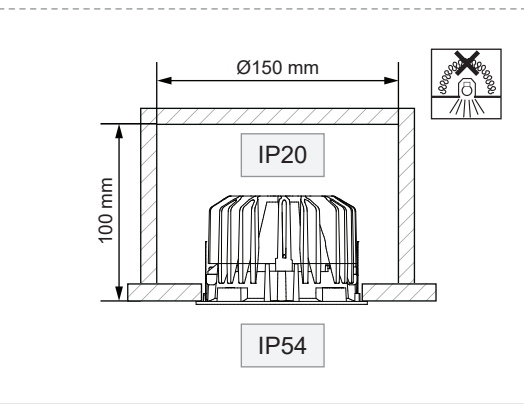


ELECTRICAL SPECS LED-FIXTURE

| Drive Current (mA) | Forward Voltage | | Power (W) |
|--------------------|-----------------|----------|-----------|
| | min (Vf) | max (Vf) | |
| 350 | 29,1 | 33,7 | 11,0 |
| 500 | 29,9 | 34,7 | 16,2 |
| 700 | 31,0 | 35,8 | 23,4 |

+ RED **-** BLACK

For serial connection, respect polarity!
Not suited for connection to mains voltage.
Combine with a Modular LED-driver.



Replace protective shield when broken. The luminaire shall only be used complete with its protective shield. Reference number: 1009392 (clear) or 1009467 (diffuse)

LIGHT SOURCE - DO NOT TOUCH LED
Touching the LED can result in permanent damage of the light source. The light source contained in this luminaire shall only be replaced by the manufacturer or his service agent or a similar qualified person.

PREVENTING ELECTROSTATIC DAMAGE
A discharge of static electricity may damage sensitive components. Therefore do not touch the LED nor the stripped parts of the wires with bare hands. Always be properly insulated by using ESD gloves.

DRIVERS & ACCESSORIES
For latest version of driver matrix and available accessories check www.supermodular.com or connect with your sales contact.