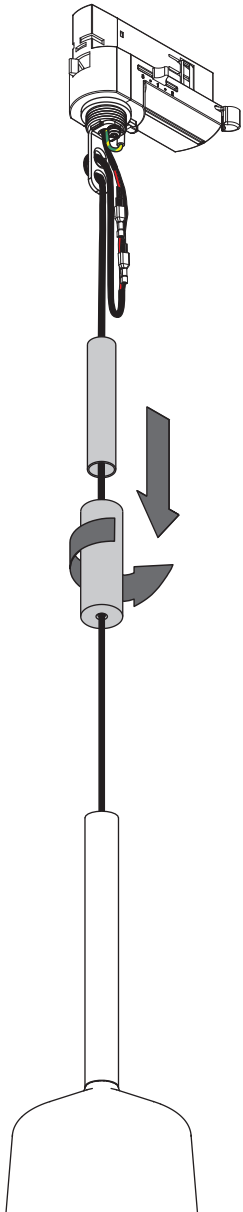


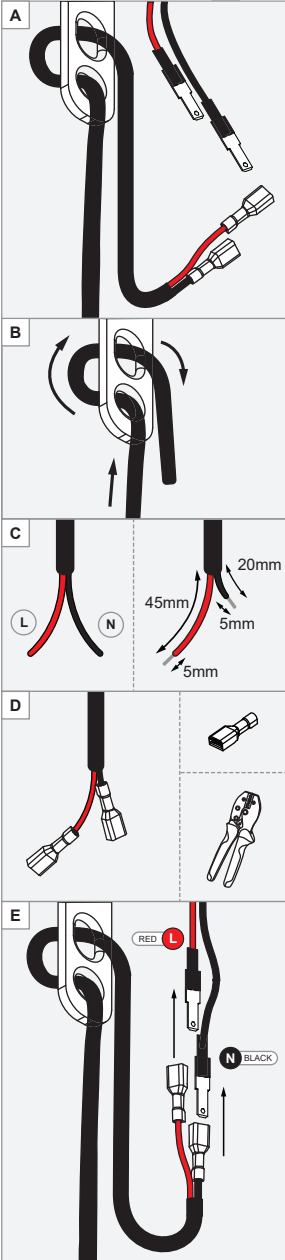
Tulip Bloom/Blossom E27 Track

126620XX_126621XX_

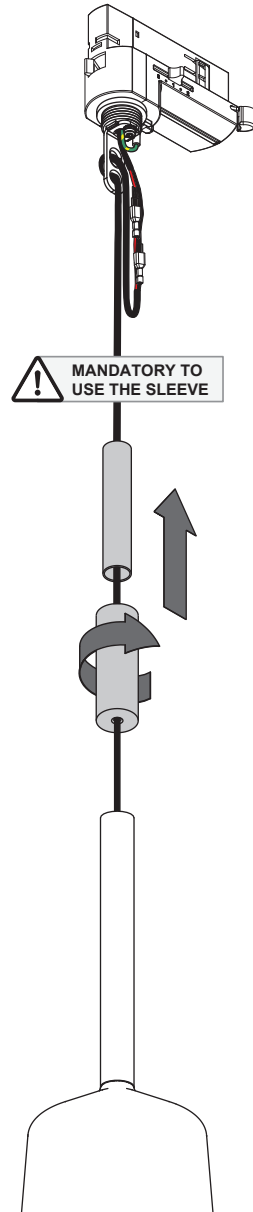
1 OPEN TUBE & REMOVE SLEEVE



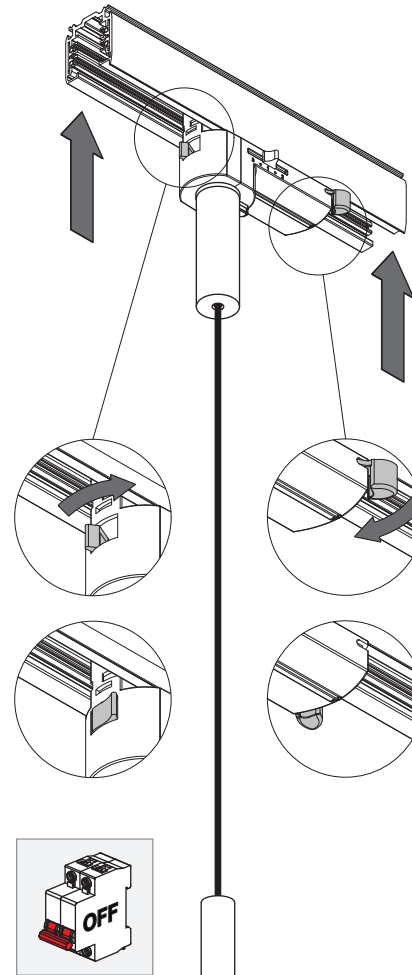
2 ADJUST CABLE LENGTH



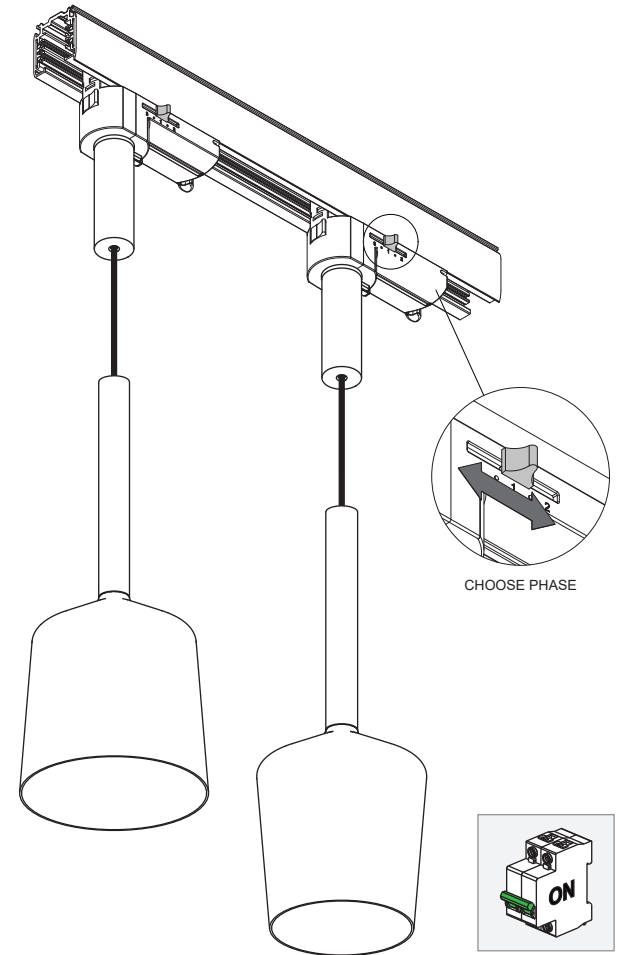
3 APPLY SLEEVE & CLOSE TUBE



4 MAKE CONNECTION



5 CHOOSE PHASE



COMBINE WITH MODULAR 230V TRACK COMPONENTS

Consult Modular Lighting Instruments website or catalogue for overview track components. Fixture is also compatible with following track systems

Nordic Aluminium	Global Pro XTS 4xxx	Eutrac	25-XX-XX / 26-XX-XX	Zumtobel Staff	S280...
Nordic Aluminium	Global Pro XTSF 4xxx	iGuzzini	6771-6774	Erco	783...
Nordic Aluminium	GNC7	iGuzzini	6779-6782		

TO BE COMBINED WITH

Use Philips Hue Connected E27 bulb or any other LED or conventional E27 bulb.

Tulip Blossom : Max Ø 125mm
Tulip Bloom: Max Ø 100mm

