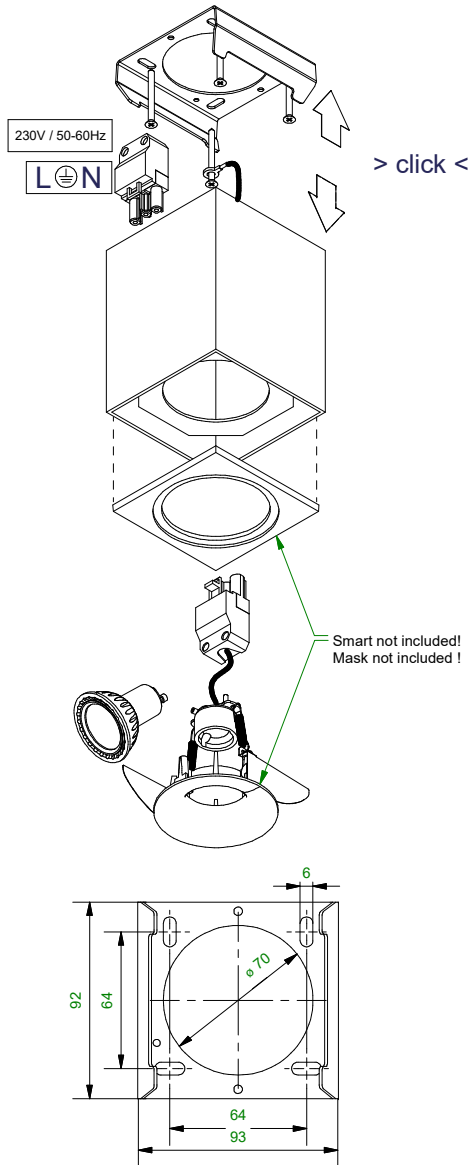


Smart SBS 82 GE for 1xLED

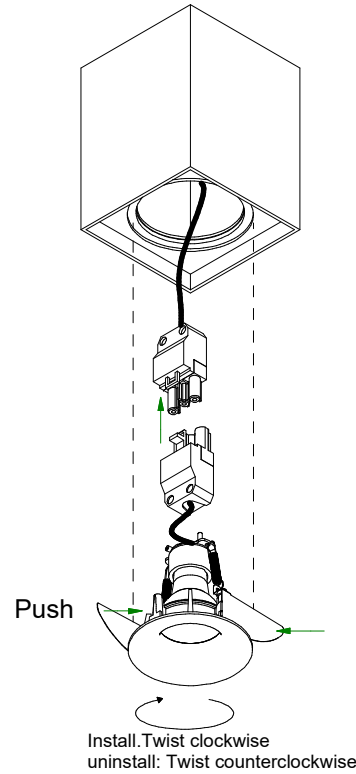
125160XX

for Smart 82 ES50

1



2



3

CAN BE USED WITH:
Smart 82 ES50

MUST BE USED WITH:
Smart Mask 82 1x

Smart 82 (IP) LED GE:
Smart 82 adjustable LED GE:

Drive Current (mA)	Forward Voltage		Power (W)
	min (Vf)	max (Vf)	
350	16,5	19,2	6,2
500	17,1	19,8	9,2

For serial connection, respect polarity!

⊕ RED ⊖ BLACK

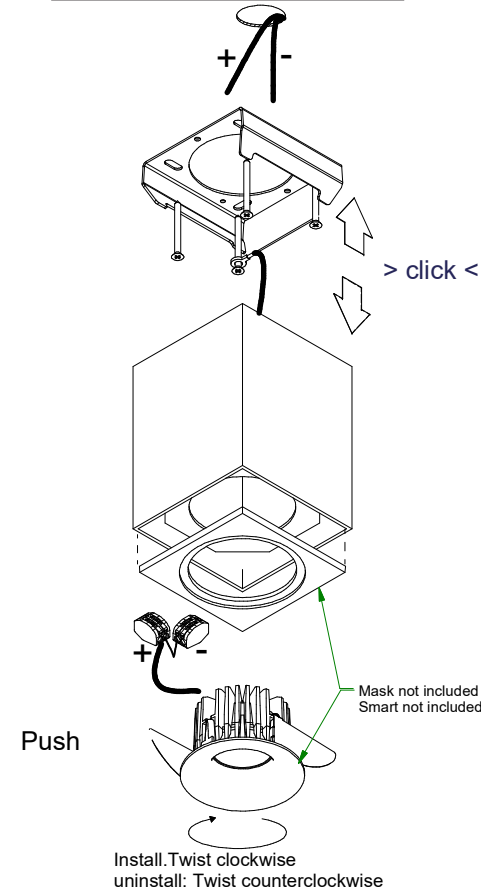
Smart 82 (IP) warmdim LED GE:
Smart 82 adjustable warmdim LED GE:

WARM DIM			
Drive Current (mA)	Forward Voltage		Power (W)
	min (Vf)	max (Vf)	
350	15,5	18,5	6

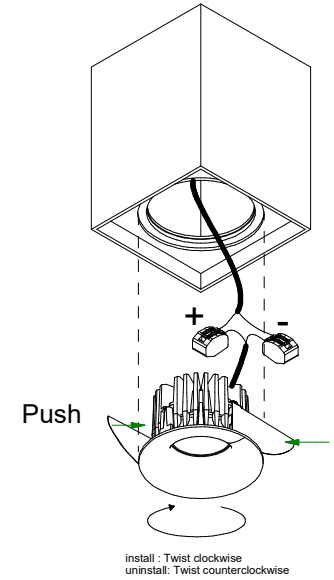
For serial connection, respect polarity!

⊕ RED ⊖ BLACK

1



2



3

CAN BE USED WITH:
Smart 82 (IP*) LED GE
Smart 82 adjustable LED GE
Smart 82 (IP*) warmdim LED GE
Smart 82 adjustable warmdim LED GE

MUST BE USED WITH:
Smart Mask 82 1x

*in combination with Surface Box = IP20

