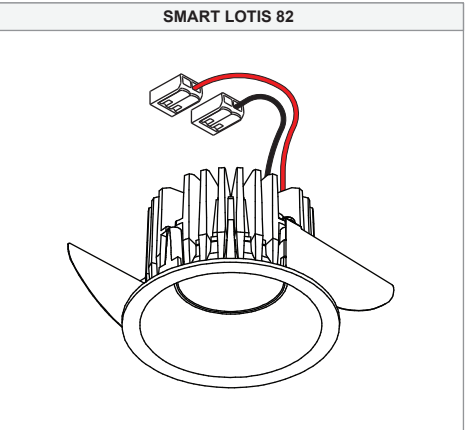
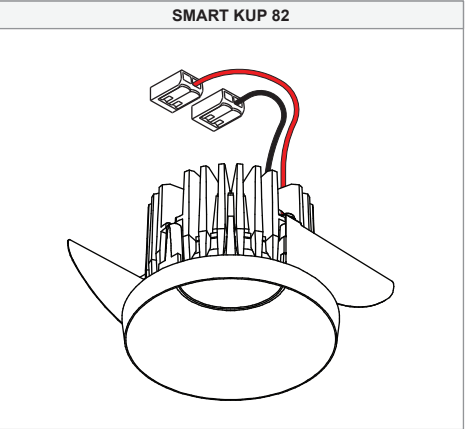
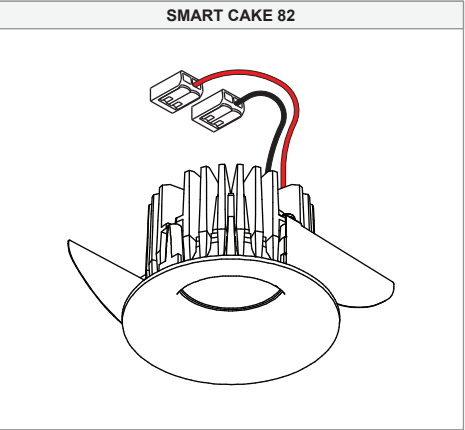


# Smart Cake/Kup/Lotis 82 IP55 LED WarmDim DE

124141XX\_124142XX\_124741XX\_124742XX\_124441XX\_124442XX



**1**

driver -

driver +

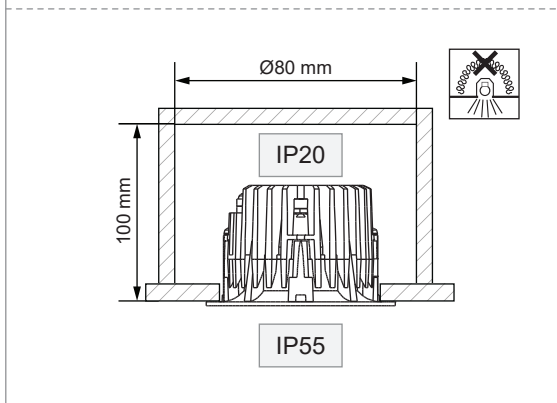
Ø70

OFF

**WARM DIM**  
ELECTRICAL SPECS LED-FIXTURE

Drive Current (mA)	Forward Voltage		Power (W)
	min (Vf)	max (Vf)	
350	15,5	18,5	6
+ RED		- BLACK	

For serial connection, respect polarity!  
Not suited for connection to mains voltage.  
Combine with a Modular LED-driver.



**2**

driver -

driver +

INSTALL UNINSTALL

**3**

ON

**⚠ SERIAL CONNECTION:**

Always use a serial connection for multiple luminaires on a single driver!  
Only use luminaires with the same input ratings!

Replace protective shield when broken. The luminaire shall only be used complete with its protective shield. Reference number: 1010754

**LIGHT SOURCE - DO NOT TOUCH LED**

Touching the LED can result in permanent damage of the light source. The light source contained in this luminaire shall only be replaced by the manufacturer or his service agent or a similar qualified person.

**PREVENTING ELECTROSTATIC DAMAGE**

A discharge of static electricity may damage sensitive components. Therefore do not touch the LED nor the stripped parts of the wires with bare hands. Always be properly insulated by using ESD gloves.

**DRIVERS & ACCESSORIES**

For latest version of driver matrix and available accessories check [www.supermodular.com](http://www.supermodular.com) or connect with your sales contact.