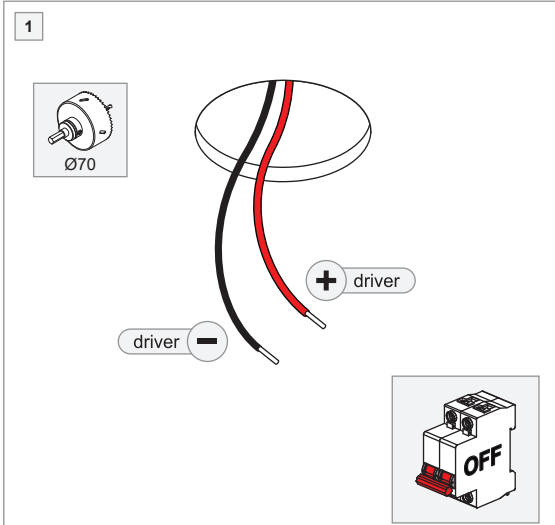
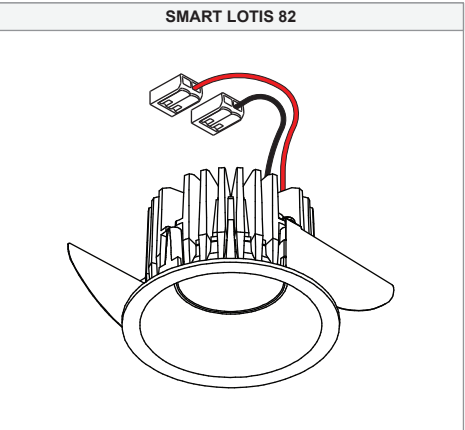
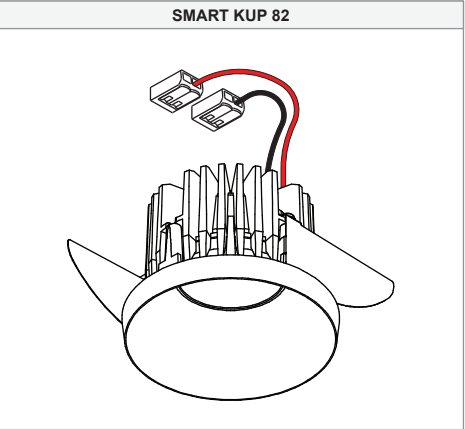
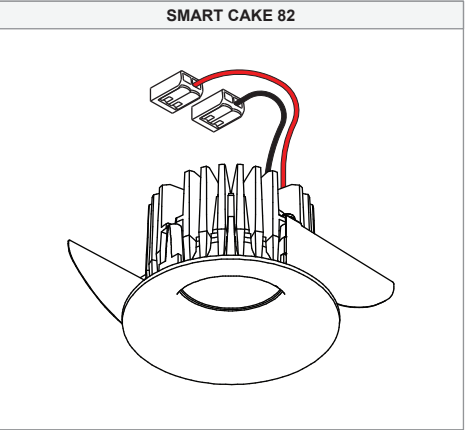


Smart Cake/Kup/Lotis 82 LED DE

124110XX_124111XX_124112XX_124113XX_124114XX_124115XX_124116XX_124117XX_124118XX_124410XX_124411XX_124412XX_124413XX_124414XX_124415XX_124416XX_124417XX_124418XX_124710XX_124711XX_124712XX_124713XX_124714XX_124715XX_124716XX_124717XX_124718XX

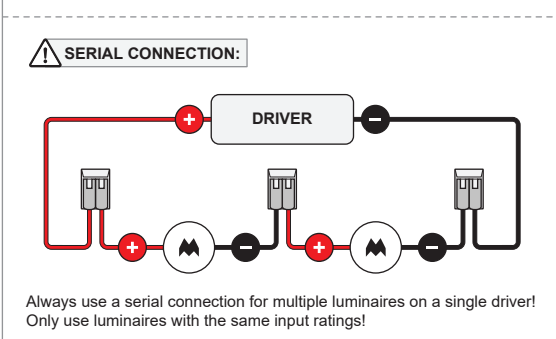
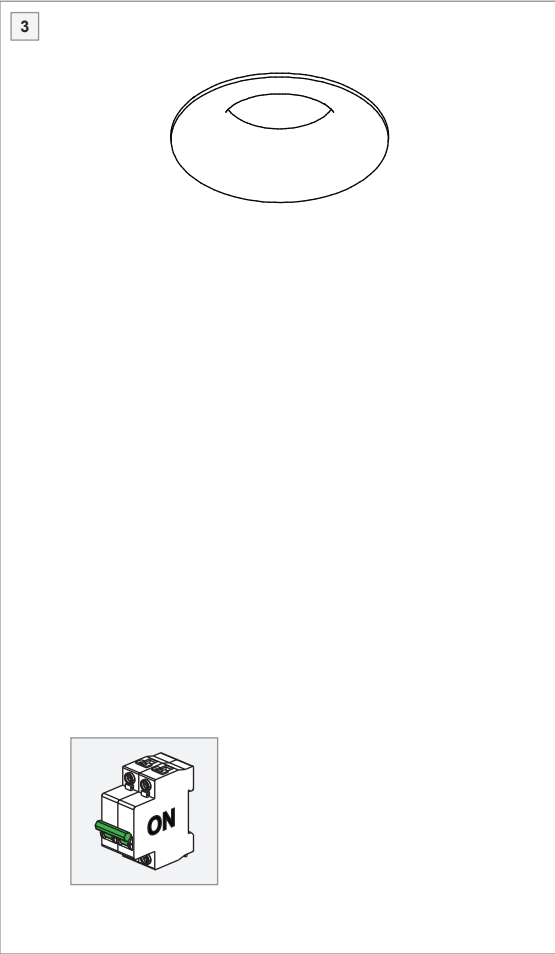
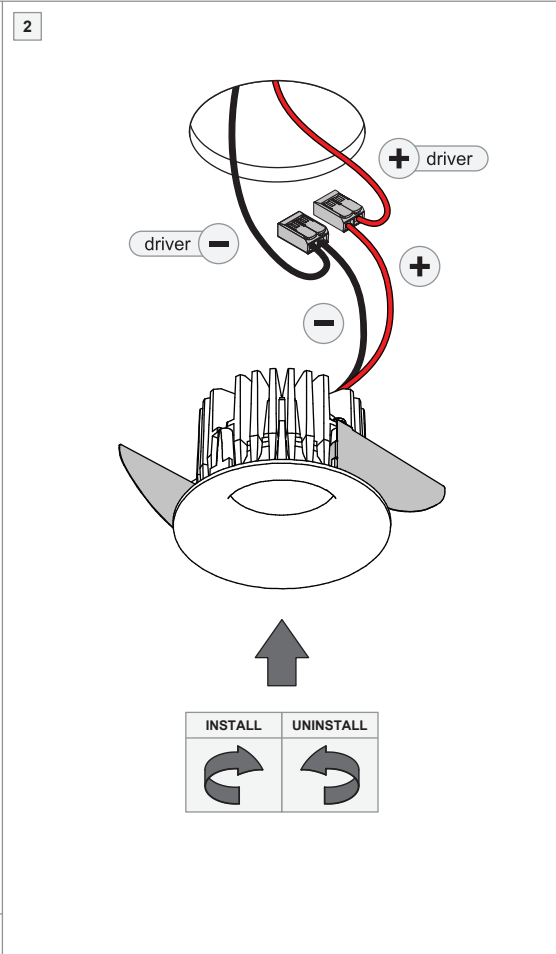
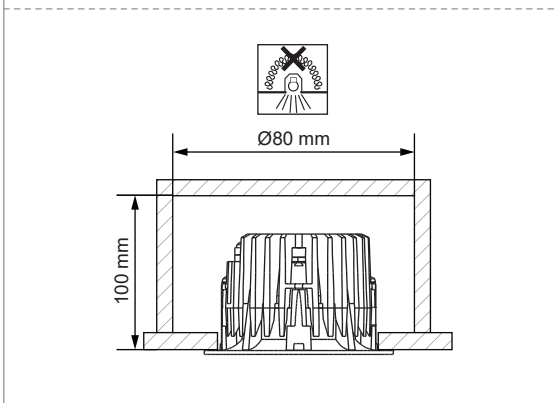


ELECTRICAL SPECS LED-FIXTURE

Drive Current (mA)	Forward Voltage		Power (W)
	min (Vf)	max (Vf)	
350	16,5	19,2	6,2
500	17,1	19,8	9,2
700	17,7	20,8	13,4

+ RED - BLACK

For serial connection, respect polarity!
Not suited for connection to mains voltage.
Combine with a Modular LED-driver.



⚡ LIGHT SOURCE - DO NOT TOUCH LED

Touching the LED can result in permanent damage of the light source. The light source contained in this luminaire shall only be replaced by the manufacturer or his service agent or a similar qualified person.

⚡ PREVENTING ELECTROSTATIC DAMAGE

A discharge of static electricity may damage sensitive components. Therefore do not touch the LED nor the stripped parts of the wires with bare hands. Always be properly insulated by using ESD gloves.

DRIVERS & ACCESSORIES

For latest version of driver matrix and available accessories check www.supermodular.com or connect with your sales contact.