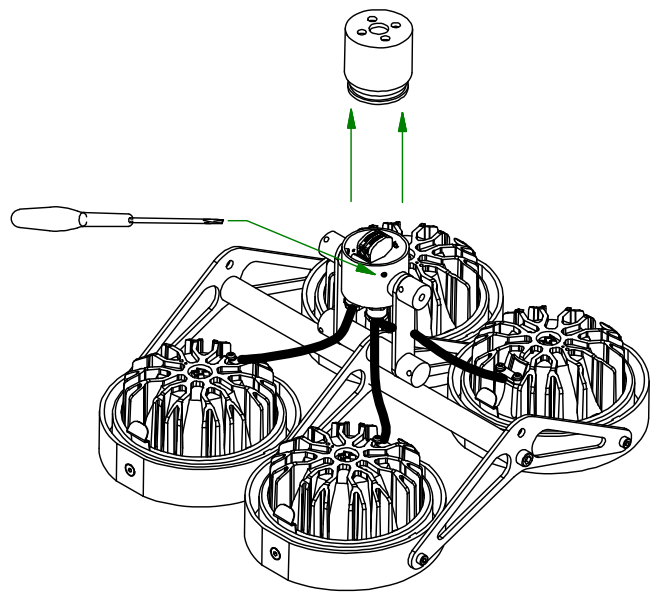


Nomad 111 4x LED GE

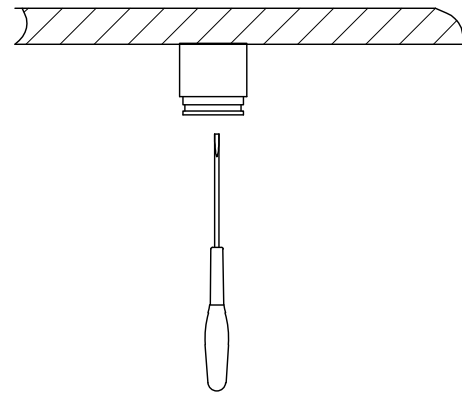
120240XX

Lamptype : LED array

1



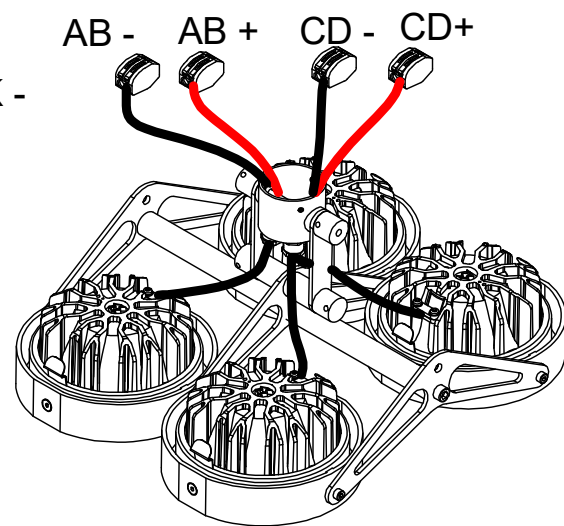
2



Electrical specs 2 lamps.

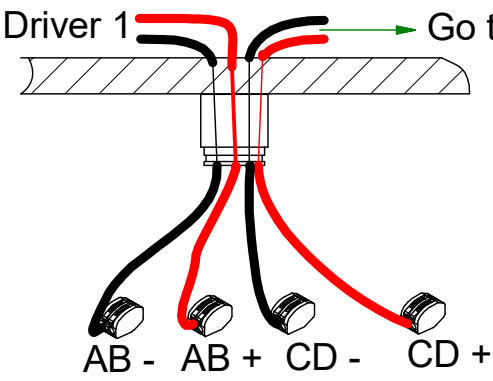
350mA - min. 58,2Vf - max 67,4Vf - 22 W
 500mA - min. 59,8Vf - max 69,4Vf - 32,4W
 700mA - min. 62 Vf - max 71,6Vf - 46.8W

RED +
 BLACK -

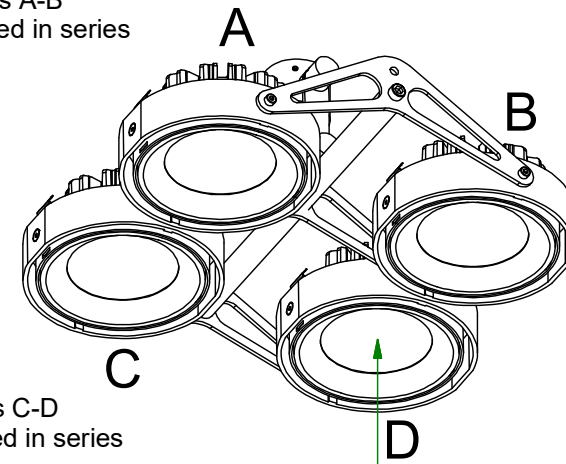


Go to LED Driver 1 → Go to LED Driver 2

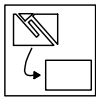
3



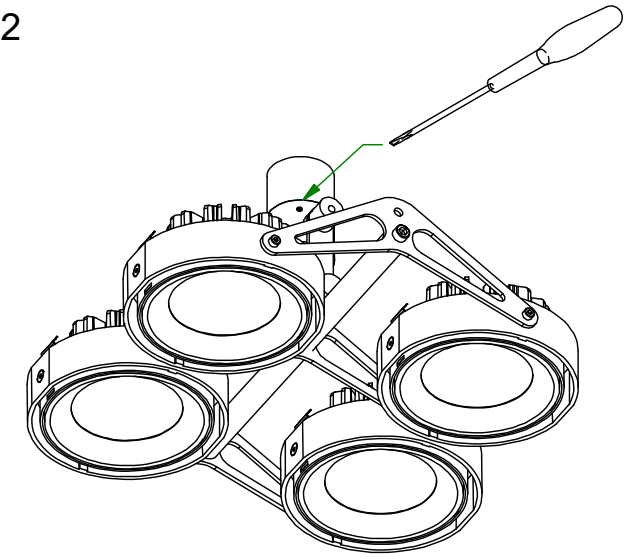
lamps A-B
 Connected in series



lamps C-D
 Connected in series

 Replace protective shield when broken
 The luminaire shall only be used complete
 with its protective shield (reference number
 1009392)

4



The light source contained in this luminaire shall only be replaced by the manufacturer or his service agent or a similar qualified person

TO BE USED WITH:

Drivers:
 see driver matrix - latest version on website
www.supermodular.com or check sales contact

CAN BE USED WITH

10203005 Nomad base flange 1 Alu
 10203009 Nomad base flange 1 WhStr

10204005 Nomad base flange 2 Alu
 10204009 Nomad base flange 2 WhStr

NOT FOR 12V TRANSFORMER

