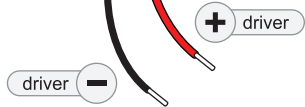


Pupil 72 LED GE

114900XX_114901XX_114903XX_114904XX

1

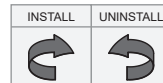
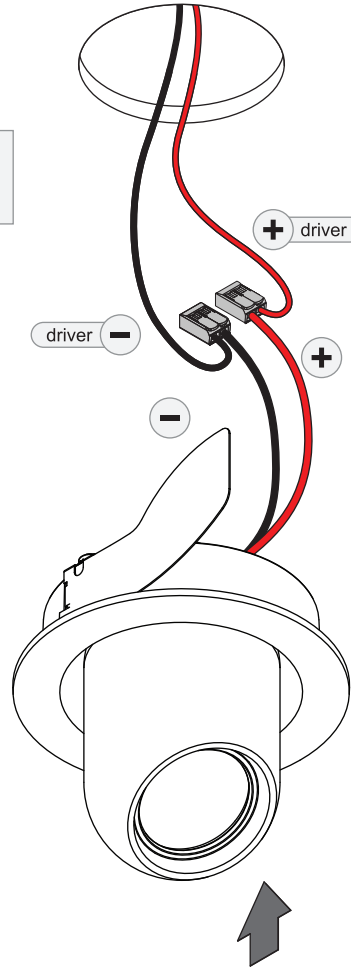
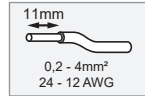


ELECTRICAL SPECS LED-FIXTURE			
Drive Current (mA)	Forward Voltage		Power (W)
	min (Vf)	max (Vf)	
350	7,5	9,5	3,0
500	7,8	9,8	4,4
700	8,1	10,1	6,4

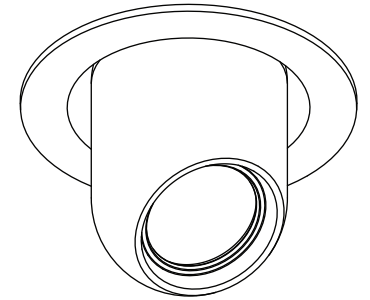
+ RED - BLACK

For serial connection, respect polarity!
Not suited for connection to mains voltage.
Combine with a Modular LED-driver.

2



3



ACCESSORIES



Honeycomb ø26
(14191032)



Snoot ø26
(14192032)



Crossblade ø26
(14193032)



Replace protective shield when broken. The luminaire shall only be used complete with its protective shield.
Reference number: 1013797



LIGHT SOURCE - DO NOT TOUCH LED

Touching the LED can result in permanent damage of the light source. The light source contained in this luminaire shall only be replaced by the manufacturer or his service agent or a similar qualified person.



PREVENTING ELECTROSTATIC DAMAGE

A discharge of static electricity may damage sensitive components. Therefore do not touch the LED nor the stripped parts of the wires with bare hands. Always be properly insulated by using ESD gloves.

DRIVERS & ACCESSORIES

For latest version of driver matrix and available accessories check www.supermodular.com or connect with your sales contact.

