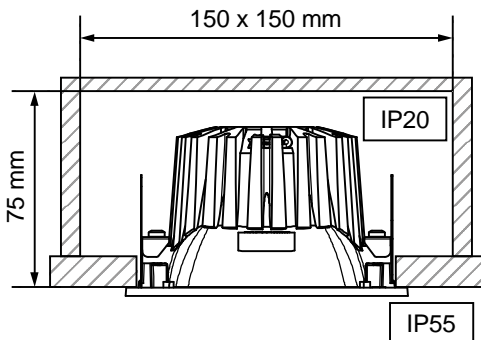
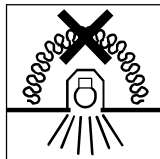
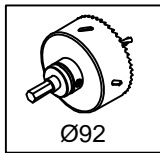
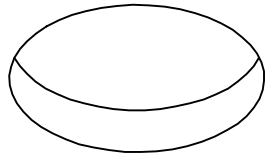


Slide IP55 LED GE

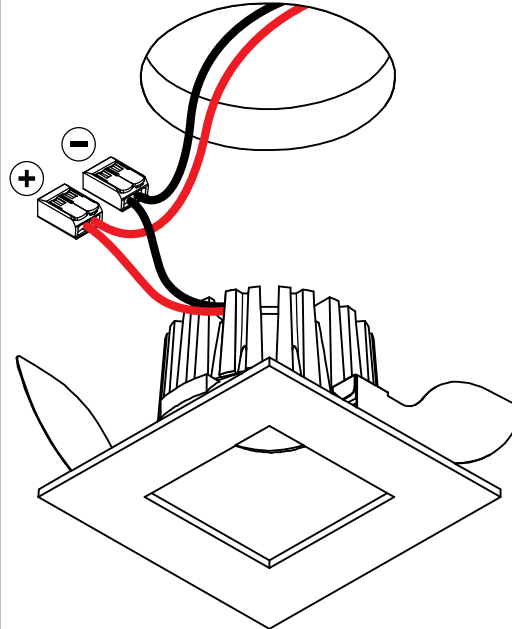
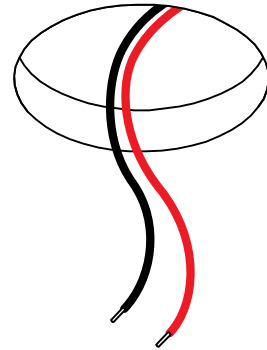
104810xx - 104861xx - 104863xx



350mA - min 16,5Vf - max 19,2Vf - 6,2W
 500mA - min 17,1Vf - max 19,8Vf - 9,2W

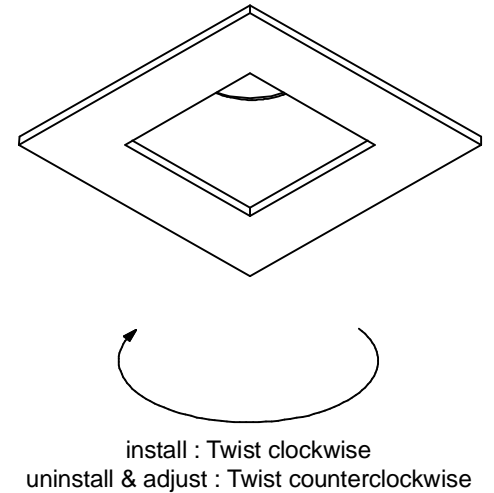
CAN BE USED WITH
 10889830 Conbox 192x190x130x256
 12290330 Gypkit 190X190 - Ø92

Drivers:
 see driver matrix - latest version on website
www.supermodular.com or check sales contact



PREVENTING ELECTROSTATIC DAMAGE

A discharge of static electricity may damage sensitive components. Always be properly grounded when touching leads or circuitry inside the luminaire. Use a wrist strap connected by a ground cord to the housing. Avoid touching the light sources with bare hands.



The light source contained in this luminaire shall only be replaced by the manufacturer or his service agent or a similar qualified person

Replace protective shield when broken. The luminaire shall only be used complete with its protective shield. Reference number: 1011481

