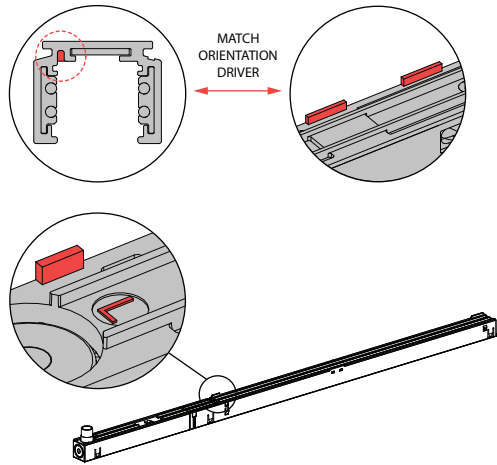


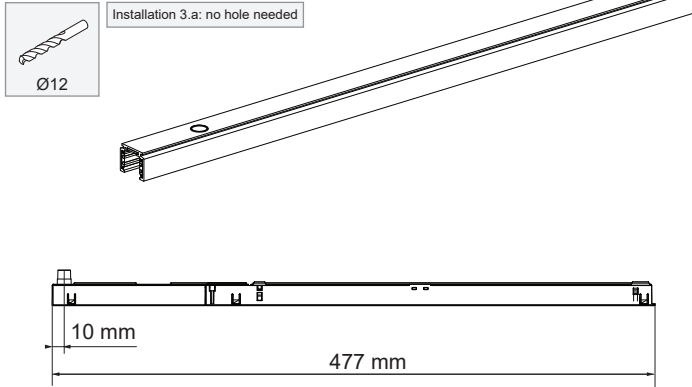
# LED Driver Constant Voltage 48V In-Track Left 100W

134573XX

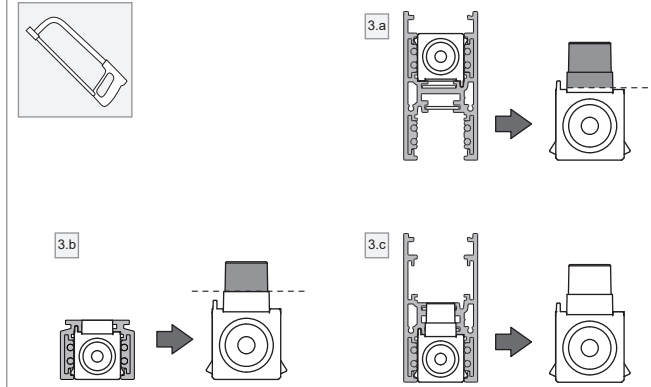
## 1 IDENTIFY POLARISATION OF TRACK AND DRIVER: LEFT



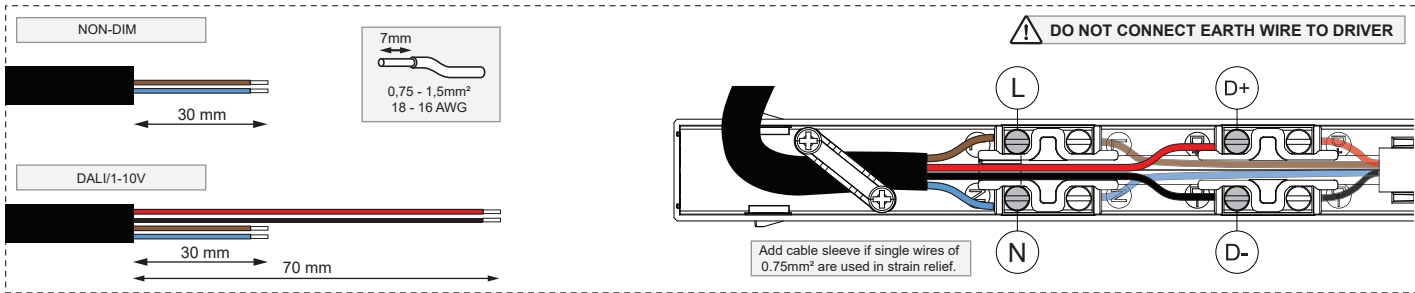
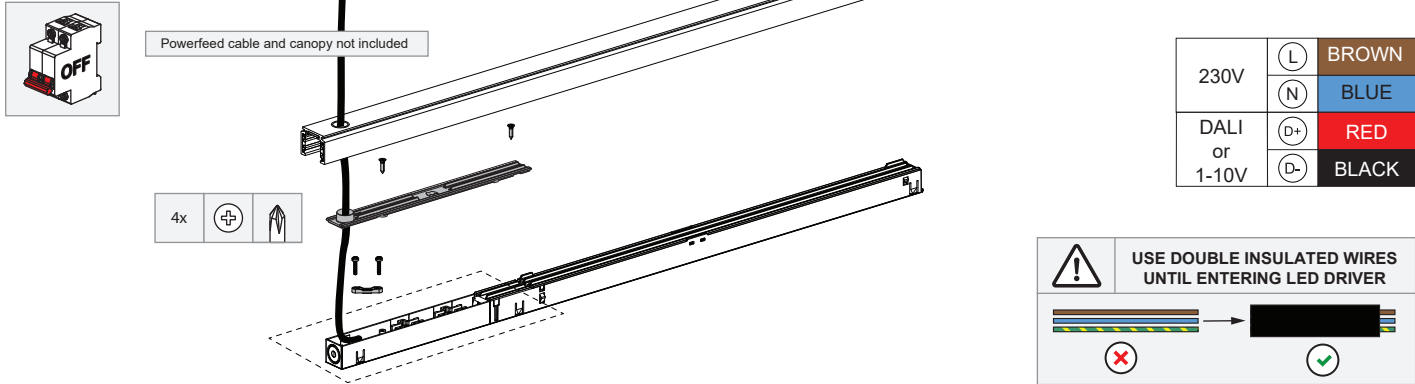
## 2 DRILL THROUGH THE TRACK



## 3 PREPARE CABLE INLET



## 4 ELECTRICAL CONNECTION



## 5 MOUNT DRIVER

