

## Extruded Stripped Suspended 1.8 1x DI

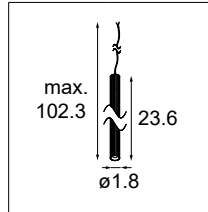
### Overview



Strong lines that blend. Extruded Stripped is a contemporary design that harmonizes smoothly with its environment. This new family welcomes statement and stillness in a very minimalist look.

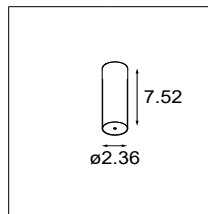
### How to Specify (example)

#### 1. Select Luminaire / Body → Page 2



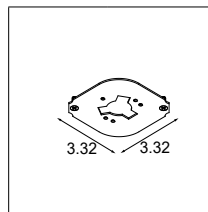
Example: **EXTRS-SP-1.8-23.6-1X-30F-DP-DE-BRA**  
Extruded Stripped Suspended 1.8 1x, tube length 23.6", 3000K, flood, damp rated, driver external, bronze

#### 2. Select Canopy (required) → Page 3



Example: **SPPF-CONH-SF-EXTRS-010P-DI-500-BLS**  
Surface Round Canopy, 0-10V, ELV & Triac driver included, 500mA, black structure

#### 3. Select Mounting Accessory (required) → Page 4



Example: **PP-44-EXTRS-DI**  
Plasterplate, for 4"x4" octagonal junction box

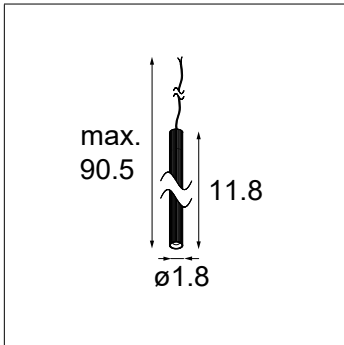
#### Example order:

Quantity	Item
1	<b>EXTRS-SP-1.8-23.6-1X-30F-DP-DE-BRA</b>
1	<b>SPPF-CONH-SF-EXTRS-010P-DI-500-BLS</b>
1	<b>PP-44-EXTRS-DI</b>

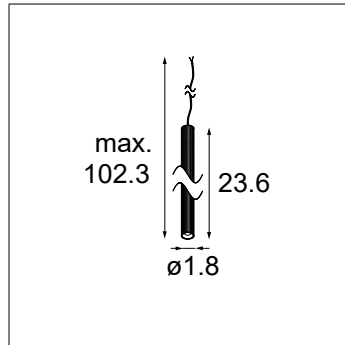
## Extruded Stripped Suspended 1.8 1x DI

### Luminaire Specifications

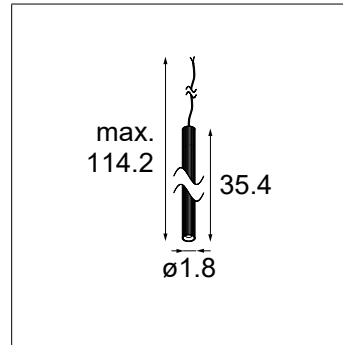
- Aperture: 0.9"
- Tube material: aluminum (available in different lengths)
- Tube finish: powder coat or anodisation
- Inner glare control ring: always matte black
- Cable diameter: 0.17"
- Cable color: black
- Cable length: 78.7" (can be field adjusted)
- Must be combined with canopy & mounting accessory (specify on page 3 - 4)



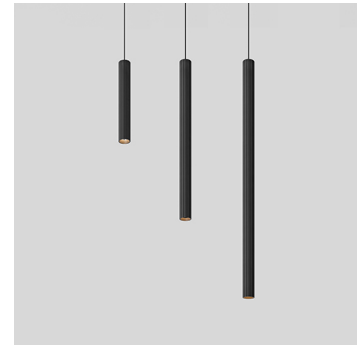
Extruded Stripped 1.8 1x DE  
Tube length: 11.8"



Extruded Stripped 1.8 1x DE  
Tube length: 23.6"



Extruded Stripped 1.8 1x DE  
Tube length: 35.4"



### Finish Information



Grey White Structure (GWS)  
Powder Coat (Matte)



Black (BLA)  
Anodised



Bronze (BRA)  
Anodised



Champagne (CHA)  
Anodised

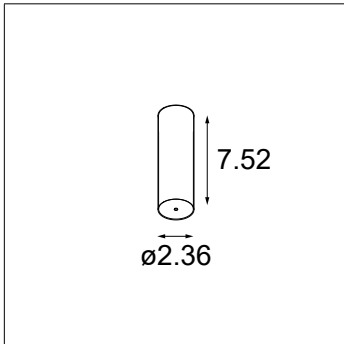
### Ordering Information

				F	DP	DE			
<b>EXTRS-SP-1.8-11.8-1X</b>	Extruded Stripped 1.8 1x Tube length: 11.8"	<b>27</b>	2700K	<b>F</b>	Flood	<b>DP</b>	Damp Location	<b>GWS</b>	Grey White Structure
<b>EXTRS-SP-1.8-23.6-1X</b>	Extruded Stripped 1.8 1x Tube length: 23.6"	<b>30</b>	3000K					<b>BLA</b>	Black
<b>EXTRS-SP-1.8-35.4-1X</b>	Extruded Stripped 1.8 1x Tube length: 35.4"	<b>35</b>	3500K					<b>BRA</b>	Bronze
		<b>WD</b>	Warm Dim 3000K - 1800K					<b>CHA</b>	Champagne

## Extruded Stripped Suspended 1.8 1x DI

### Canopy Specifications

- Canopy is required for installation
- Material: steel
- Finish: powder coat
- Driver: included in the body
- Must be combined with mounting accessory (specify on page 4)



Surface Round Canopy

### Finish Information



Black Structure (BLS)  
Powder Coat (Matte)



Grey White Structure (GWS)  
Powder Coat (Matte)

### Ordering Information

Ordering Code	Finish	Input	Output	Dim <sup>(2)</sup>	Lamp Type		Connected Load	
					Fixed CCT	Warm Dim	Fixed CCT	Warm Dim
SPPF-CONH-SF-EXTRS-010P-DI-500-BLS	Black Structure	120-277VAC <sup>(1)</sup>	500mA DC	0-10V, ELV & Triac - 1%	☞		11.5W	
SPPF-CONH-SF-EXTRS-010P-DI-500-GWS	Grey White Structure	120-277VAC <sup>(1)</sup>	500mA DC	0-10V, ELV & Triac - 1%	☞		11.5W	
SPPF-CONH-SF-EXTRS-WD-010P-DI-350-BLS	Black Structure	120-277VAC <sup>(1)</sup>	350mA DC	0-10V, ELV & Triac - 1%		☞		8.2W
SPPF-CONH-SF-EXTRS-WD-010P-DI-350-GWS	Grey White Structure	120-277VAC <sup>(1)</sup>	350mA DC	0-10V, ELV & Triac - 1%		☞		8.2W

<sup>(1)</sup> Dimming via ELV & Triac only compatible at 120VAC input

<sup>(2)</sup> Consult the factory for dimmer compatibility

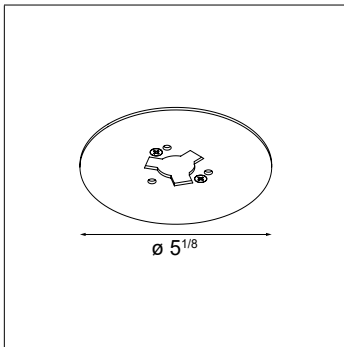
### Mounting Accessories Specifications

#### Backplate

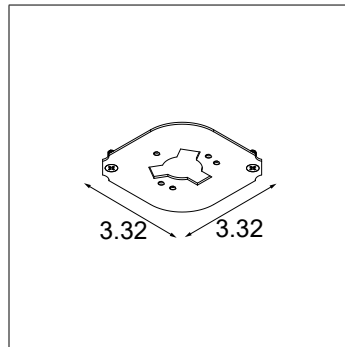
- For Canopy installation with a 4"x4" octagonal junction box
- Backplate covers the junction box
- Material: stainless steel
- Finish: powder coat
- Thickness: 0.08"
- Weight: 0.6lbs

#### Plaster Plate

- For Canopy installation with a 4"x4" octagonal junction box
- Plaster finish
- Material: stainless steel
- Thickness: 0.06"
- Weight: 0.2lbs



Backplate



Plasterplate

### Finish Information



Black Structure (BLS)  
Powder Coat (Matte)



Grey White Structure (GWS)  
Powder Coat (Matte)

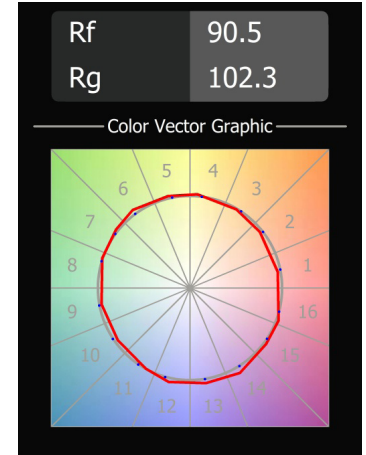
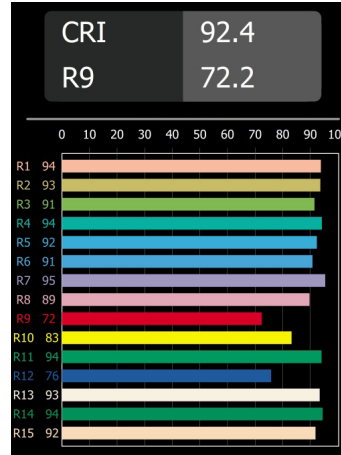
### Ordering Information

Ordering Code	Version	Finish
BP-C-44-EXTRS-DI-BLS	Backplate for 4"x4" octagonal junction box	Black Structure
BP-C-44-EXTRS-DI-GWS	Backplate for 4"x4" octagonal junction box	Grey White Structure
PP-44-EXTRS-DI	Plasterplate for 4"x4" octagonal junction box	n/a

## Extruded Stripped Suspended 1.8 1x DI

### Performance Specifications (per luminaire)

Luminaire	Fixed CCT	Warm Dim
Weight (length: 11.8")	2.6lbs	2.6lbs
Weight (length: 23.6")	3.6lbs	3.6lbs
Weight (length: 35.4")	4.7lbs	4.7lbs
Location	damp	damp
CRI*	92, R9: 72	95, R9: 88
Lifetime	L80 B10 @ 50,000 hrs	L80 B10 @ 50,000 hrs
UGR	see website	see website
Beam angle	43°	48°



For photometric files see website or contact factory.

### Output Specifications (per luminaire)

Reference Delivered Lumens	CCT	Drive Current	Finish
794 (ref. 3000K, 500mA, GWS)	2700K (0.98) 3000K (1.00) 3500K (1.08)	500mA (1.00)	GWS (1.00) BLA (1.00) BRA (1.00) CHA (1.00)
379 (ref. 3000K-1800K, 350mA, GWS)	3000K - 1800K (1.00)	350mA (1.00)	GWS (1.00) BLA (1.00) BRA (1.00) CHA (1.00)

Multipliers are indicated between brackets: ( )

Example calculation, to determine typical output for 2700K, 500mA, bronze: 794 x (0.98) x (1.00) x (1.00) = 778 lumens

### Listings and Certifications

- Listed: cULus
- Damp locations



### Warranty

- Visit <https://www.supermodular.com/en-us/warranty/>