

Kogel Track 48V Adjustable 2.3

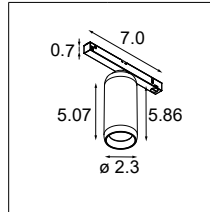
Overview



Kogel Track 48V adds volume and a burst of energy to our slender Pista. A shape radiating presence and posture, it brings powerful light as it slides along a track travelling from one space to another.

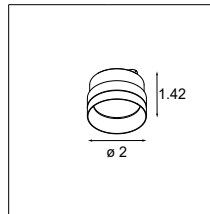
How to Specify (example)

1. Select Lamp / Body → Page 2



Example: **KOGEL-T48-A-2.3-1X-30-DY-0101-BLS**
Kogel Track 48V Adjustable 2.3, 3000K, dry rated, 0-10V, black structure

2. Select Optical Accessory → Page 3



Example: **O-R-2.0-M**
Reflector Ø2.0, medium

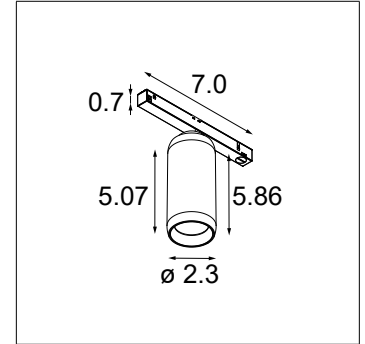
Example order:

Quantity	Item
1	KOGEL-T48-A-2.3-1X-30-DY-0101-BLS
1	O-R-2.0-M

Kogel Track 48V Adjustable 2.3

Luminaire Specifications

- For use with Pista 48V track systems
- Body material: aluminum
- Body finish: powder coat
- Ball joint material: brass
- Ball joint finish: brushed and varnished
- Must be combined with optical accessory (specify on page 3)
- Upon insertion, fixtures lock into the track
- Fixtures can be moved in the track by sliding
- Fixtures can be unlocked / removed from the track with a flathead screwdriver

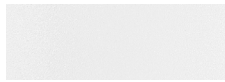


Kogel Track 48V Adjustable 2.3 1x

Finish Information



Black Structure (BLS)
Powder Coat (Matte)



White Structure (WHS)
Powder Coat (Matte)

Pista Track Compatibility

	Surface Track Suspended Track	Suspended Up / Down Track		Recessed Flanged Track	Recessed Trimless Track
		Up Portion	Down Portion		
Kogel Track 48V Adjustable 2.3 1x	Ⓜ		Ⓜ	Ⓜ	Ⓜ

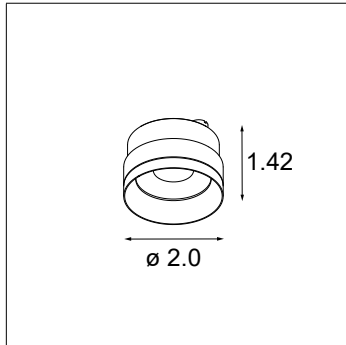
See separate track datasheets for track information and accessories

Ordering Information

KOGEL-T48-A-2.3-1X			DY						
KOGEL-T48-A-2.3-1X	Kogel Track 48V Adjustable 2.3	27	2700K	DY	Dry Location	0101	0-10V	BLS	Black Structure
		30	3000K			D	DALI	WHS	White Structure
		35	3500K						
		WD	Warm Dim 3000K - 1800K						

Optical Accessories Specifications

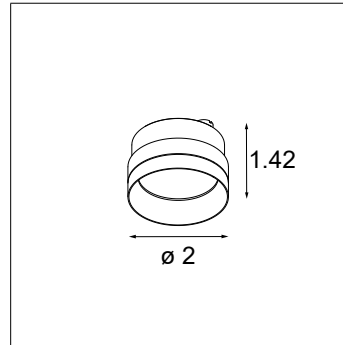
- Optic selection is required
- Optics attach magnetically and can be installed / changed in the field
- Consult website for photometric performance
- Lens accessories include a TIR lens (only available for Fixed CCT luminaires)
- Reflector accessories include a reflector with microprismatic lens in front
- Inner glare control ring: always matte black



Lens $\varnothing 2.0$



Lens $\varnothing 2.0$



Reflector $\varnothing 2.0$



Reflector $\varnothing 2.0$

Ordering Information

Ordering Code	For Luminaire	Version	Beam
O-L-2.0-S	Fixed CCT	Lens $\varnothing 2.0$	Spot (14°)
O-L-2.0-M	Fixed CCT	Lens $\varnothing 2.0$	Medium (25°)
O-L-2.0-F	Fixed CCT	Lens $\varnothing 2.0$	Flood (39°)
O-L-2.0-WF	Fixed CCT	Lens $\varnothing 2.0$	Wide Flood (52°)
O-R-2.0-M	Fixed CCT	Reflector $\varnothing 2.0$	Medium (28°)
O-R-2.0-F	Fixed CCT	Reflector $\varnothing 2.0$	Flood (40°)
O-R-2.0-WD-M	Warm Dim	Reflector $\varnothing 2.0$	Medium (28°)
O-R-2.0-WD-F	Warm Dim	Reflector $\varnothing 2.0$	Flood (39°)

Kogel Track 48V Adjustable 2.3

Performance Specifications (per luminaire)

Luminaire	Fixed CCT	Warm Dim
Weight	1.5lbs	1.5lbs
Adjustability	360° x 50°	360° x 50°
Location	dry	dry
IP Rating	IP20	IP20
CRI*	92, R9: 72	93, R9: 78
Lifetime	L80 B10 @ 50,000 hrs	L90 B10 @ 50,000 hrs
UGR	see website	see website

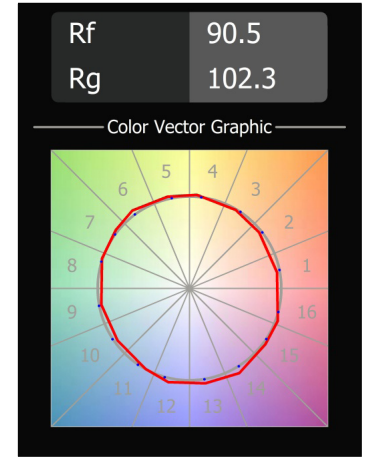
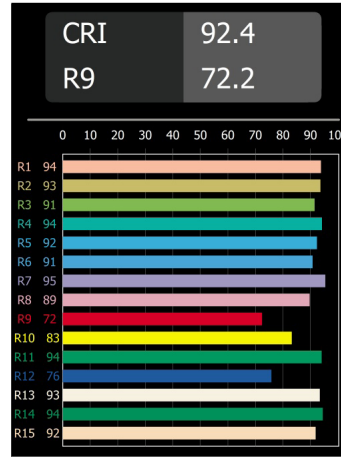
Electrical (typical)

Lamp Units	Dim Type	Input Voltage	Connected Load	Dim Level***
1x Fixed CCT	0-10V	48VDC	14.0W	1%
1x Fixed CCT	DALI**	48VDC	14.0W	1%
1x Warm Dim	0-10V	48VDC	8.6W	1%
1x Warm Dim	DALI**	48VDC	8.6W	1%

* CRI & TM-30 Value for 3000K

** Compatible with Casambi Wireless Pista Module. See track datasheets for more details

*** Consult the factory for dimmer compatibility



For photometric files see website or contact factory.

Output Specifications (per luminaire)

Reference Delivered Lumens	CCT	Finish	Optic
886 (ref. 3000K, WHS, O-R-2.0-M)	2700K (0.98) 3000K (1.00) 3500K (1.08)	BLS (1.00) WHS (1.00)	O-L-2.0-S (1.09) O-L-2.0-M (1.24) O-L-2.0-F (1.18) O-L-2.0-WF (1.15) O-R-2.0-M (1.00) O-R-2.0-F (0.97)
600 (ref. 3000K-1800K, WHS, O-R-2.0-WD-M)	3000K - 1800K (1.00)	BLS (1.00) WHS (1.00)	O-R-2.0-WD-M (1.00) O-R-2.0-WD-F (1.00)

Multipliers are indicated between brackets: ()

Example calculation, to determine typical output for 2700K, Black Structure, O-L-2.0-M: 886 x (0.98) x (1.00) x (1.24) = 1076 lumens

Listings and Certifications

- Classified: cULus
- Dry locations



Warranty

- Visit <https://www.supermodular.com/en-us/warranty>