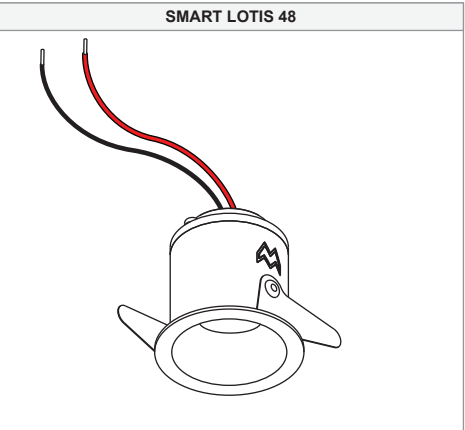
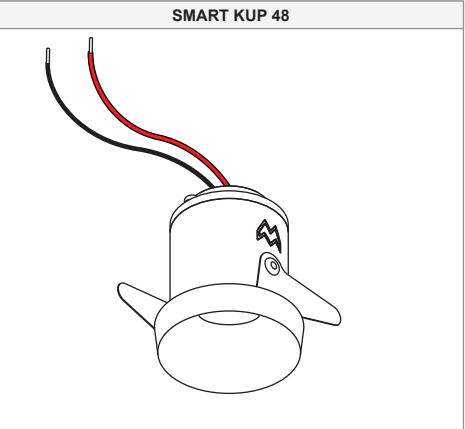
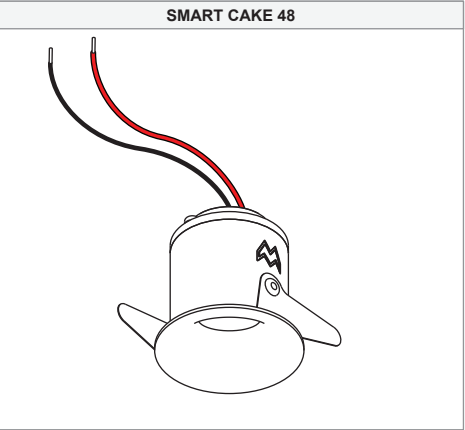


Smart Cake/Kup/Lotis 48 IP55 LED DE

128610XX-B1_128611XX-B1_128612XX-B1_128710XX-B1_128711XX-B1_128712XX-B1_128810XX-B1_128811XX-B1_128812XX-B1



1

driver - driver +

Ø44
gypsum / concrete

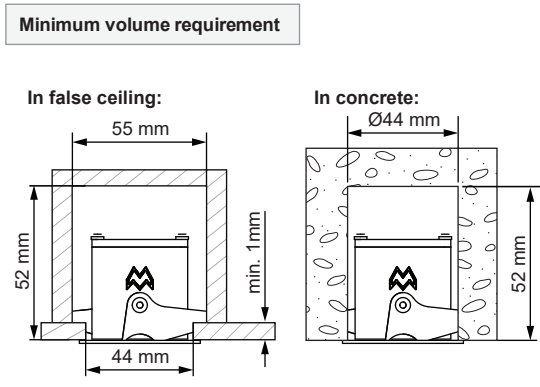
Ø46
wood

ELECTRICAL SPECS LED-FIXTURE

Drive Current (mA)	Forward Voltage		Power (W)
	min (Vf)	max (Vf)	
350	2,7	3,3	1,00
500	2,7	3,3	1,45

+ RED **-** BLACK

For serial connection, respect polarity!
Not suited for connection to mains voltage.
Combine with a Modular LED-driver.



2

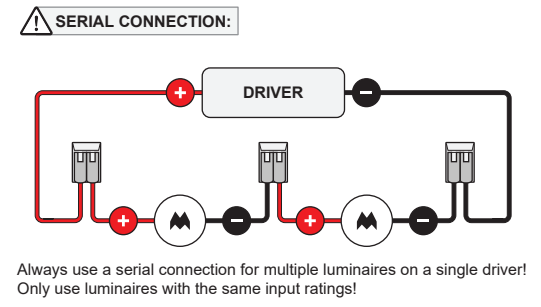
driver - driver +

driver - driver +

driver - driver +

driver - driver +

INSTALL UNINSTALL



3

driver - driver +

Replace protective shield when broken. The luminaire shall only be used complete with its protective shield. Reference number: 1006610

LIGHT SOURCE - DO NOT TOUCH LED

Touching the LED can result in permanent damage of the light source. The light source and/or driver contained in this luminaire shall only be replaced by the manufacturer or his service agent or a similar qualified person.

PREVENTING ELECTROSTATIC DAMAGE

A discharge of static electricity may damage sensitive components. Therefore do not touch the LED nor the stripped parts of the wires with bare hands. Always be properly insulated by using ESD gloves.

DRIVERS & ACCESSORIES

For latest version of driver matrix and available accessories check www.supermodular.com or connect with your sales contact.