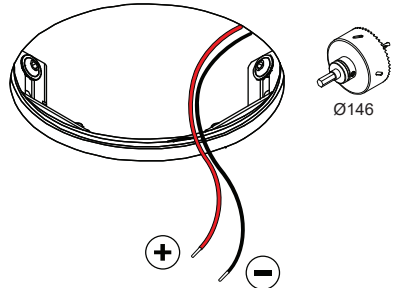


ASY WINK 115 IP LED GE

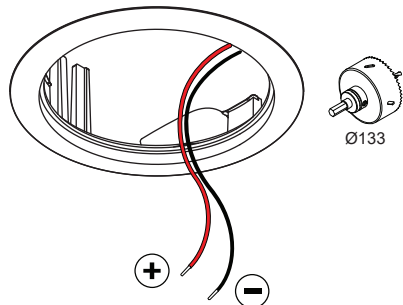
130710XX-B2_130711XX-B2_130712XX-B2_130713XX-B2_130714XX-B2_130715XX-B2
130716XX-B2_130717XX-B2_130718XX-B2_130719XX-B2_130720XX-B2_130721XX-B2

Recessed ring



or

Wink 115 flange

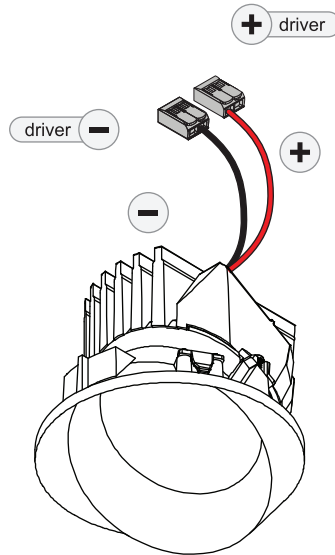


ELECTRICAL SPECS LED-FIXTURE

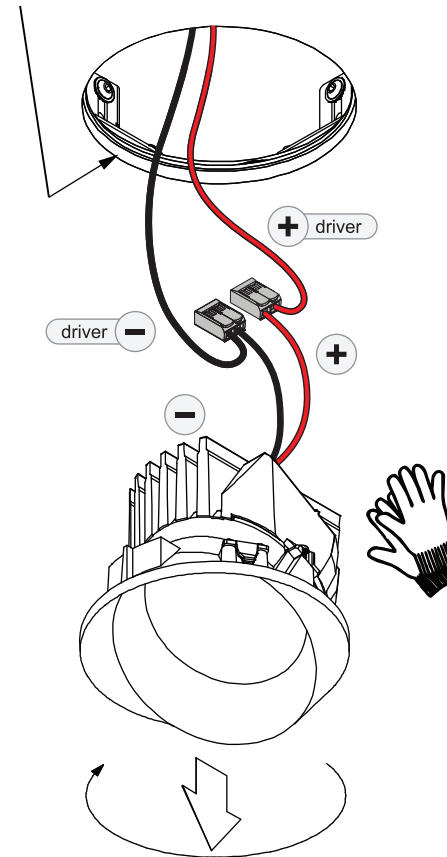
Drive Current (mA)	Forward Voltage		Power (W)
	min (Vf)	max (Vf)	
350	28,3	32,9	10,7
500	29,0	33,6	15,7
700	29,7	34,5	22,5

⊕ RED ⊖ BLACK

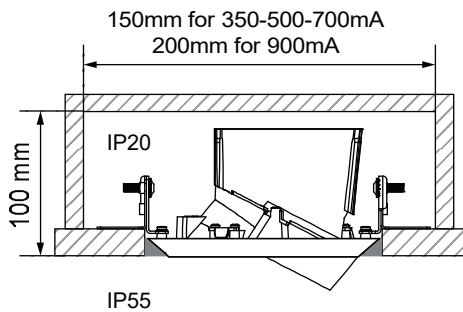
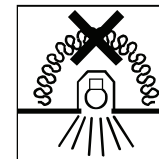
For serial connection, respect polarity!
Not suited for connection to mains voltage.
Combine with a Modular LED-driver.



inner edge must be perfectly clean



uninstall : Twist & Pull



Replace protective shield when broken. The luminaire shall only be used complete with its protective shield.
Reference number: 1009392

LIGHT SOURCE - DO NOT TOUCH LED
Touching the LED can result in permanent damage of the light source. The light source contained in this luminaire shall only be replaced by the manufacturer or his service agent or a similar qualified person.

PREVENTING ELECTROSTATIC DAMAGE
A discharge of static electricity may damage sensitive components. Therefore do not touch the LED nor the stripped parts of the wires with bare hands. Always be properly insulated by using ESD gloves.

DRIVERS & ACCESSORIES
For latest version of driver matrix and available accessories check www.supermodular.com or connect with your sales contact.

CAN BE USED WITH
130730XX Wink 115 flange
14204030 Recessed ring Ø146

UK CA III E IP 55