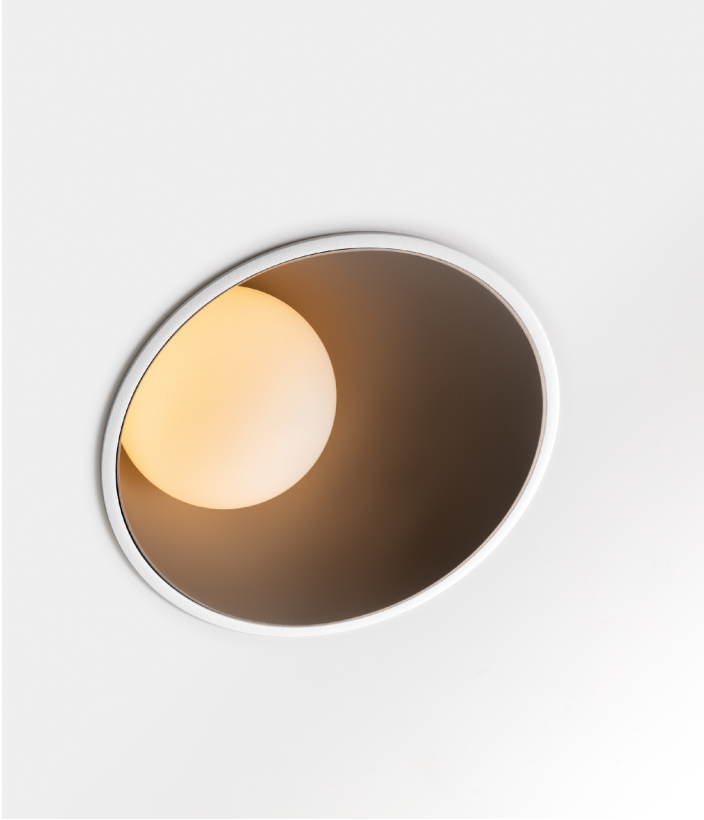


Shellby Recessed 7.2 1x DE

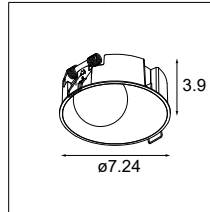
Overview



Shellby Recessed's soft, general light can be enjoyed from a ceiling or wall. Like the Sun, it brings powerful light that indisputably brightens your space, and energises you for daily activities. Like the Moon, it watches, with warm light that inspires calm. Warm dim options set the ideal mood.

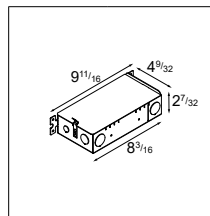
How to Specify (example)

1. Select Luminaire / Body → Page 2



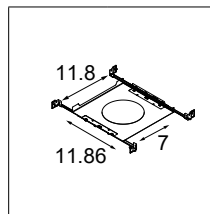
Example: **SHELLBY-R-7.2-1X-30-WT-DE-WHS**
Shellby Recessed 7.2 1x, 3000K, wet rated, driver external, white structure

2. Select Remote Driver → Page 3



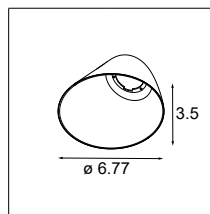
Example: **IC-RD-DP-TE1-500-12**
Remote Driver, IC rated, damp rated, ELV & Triac, 500mA, 12W

3. Select Mounting Accessory (optional) → Page 4



Example: **NCF-7.0**
New construction frame

4. Select Decorative Accessory (optional) → Page 5



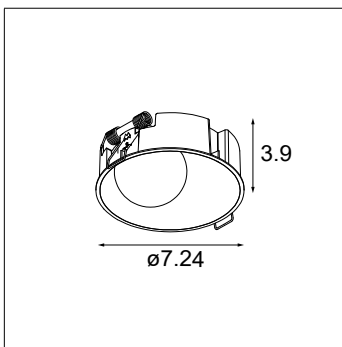
Example: **SHELLBY-SKIN-SBA**
Skin, silver bronze anodised

Example order:

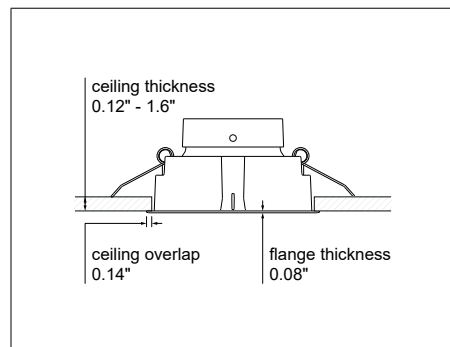
Quantity	Item
1	SHELLBY-R-7.2-1X-30-WT-DE-WHS
1	IC-RD-DP-TE1-500-12
1	NCF-7.0
1	SHELLBY-SKIN-SBA

Luminaire Specifications

- Ceiling / wall cutout: Ø7"
- Body material: aluminum
- Body finish: powder coat
- Ball material: 3-layered hand blown glass (opal)
- Ball diameter: Ø3 1/2"
- IC (insulation contact) rated
- Can be installed on a ceiling or wall
- Driver: not included in the body
- Must be combined with remote driver (specify on page 3)
- Can optionally be combined with new construction frame (specify on page 4)
- Can optionally be combined with decorative skin (specify on page 5)



Shellby Recessed 7.2 1x DE

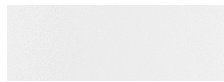


Flange Information

Finish Information



Black Structure (BLS)
Powder Coat (Matte)



White Structure (WHS)
Powder Coat (Matte)

Ordering Information

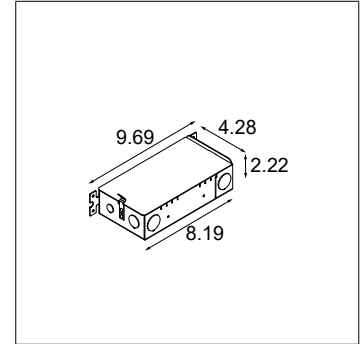
SHELLBY-R-7.2-1X		-		-		-	DE	-	
SHELLBY-R-7.2-1X	Shellby Recessed 7.2 1x	27	2700K	WT	Wet Location (indoor use only) ⁽¹⁾	DE	Driver External	BLS	Black Structure
		30	3000K					WHS	White Structure
		35	3500K	WD versions					
		WD	Warm Dim 3000K - 1800K	DP	Damp Location (indoor use only) ⁽²⁾				

⁽¹⁾ Fixed CCT versions are always provided with a wet location rating

⁽²⁾ Warm Dim versions are always provided with a damp location rating

Remote Driver Specifications

- Material: sheet metal (galvanized steel)
- Class 2 constant current power supply
- Multiple luminaires can be connected in series to a single driver
- Box can be bottom, side or t-bar mounted
- 4 knockout holes for line voltage conduit or cable connection
- 4 knockout holes for low-voltage conduit or cable connection
- May be placed up to 50ft away using 16AWG wire
- Suitable for damp locations



Remote Driver "A"

Electrical Specifications & Ordering Information

Ordering Code	Version	Input	Output	Dim ⁽⁴⁾	Driver Location					Luminaires ⁽⁵⁾	
					Recessed IC	Recessed Non-IC	Surface	Cabinet	Under Cabinet	Fixed CCT	Warm Dim
IC-RD-DP-D-ELDO-1-350-10	Remote Driver "A"	120-277VAC	350mA DC	DALI-2 - 1%	☺	☹	☺	☺	☺	1	
IC-RD-DP-D-ELDO-1-350-20	Remote Driver "A"	120-277VAC	350mA DC	DALI-2 - 1%	☺	☹	☺	☺	☺	1 - 3	1
IC-RD-DP-D-ELDO-1-350-30	Remote Driver "A"	120-277VAC	350mA DC	DALI-2 - 1%	☺	☹	☺	☺	☺	1 - 3	1
IC-RD-DP-0101-EL-350-10	Remote Driver "A"	120-277VAC	350mA DC	0-10V - 1%	☺	☹	☺	☺	☺	1	
IC-RD-DP-0101-EL-350-20	Remote Driver "A"	120-277VAC	350mA DC	0-10V - 1%	☺	☹	☺	☺	☺	1 - 3	1
IC-RD-DP-0101-EL-350-30	Remote Driver "A"	120-277VAC	350mA DC	0-10V - 1%	☺	☹	☺	☺	☺	1 - 3	1
NON-IC-RD-DP-010P-350-8	Remote Driver "A"	120-277VAC ⁽³⁾	350mA DC	0-10V, ELV & Triac - 1%	☹	☺	☺	☺	☺	1	
NON-IC-RD-DP-010P-350-14	Remote Driver "A"	120-277VAC ⁽³⁾	350mA DC	0-10V, ELV & Triac - 1%	☹	☺	☺	☺	☺	2	1
IC-RD-DP-D-ELDO-1-500-10	Remote Driver "A"	120-277VAC	500mA DC	DALI-2 - 1%	☺	☹	☺	☺	☺	1	
IC-RD-DP-D-ELDO-1-500-20	Remote Driver "A"	120-277VAC	500mA DC	DALI-2 - 1%	☺	☹	☺	☺	☺	1 - 2	
IC-RD-DP-D-ELDO-1-500-30	Remote Driver "A"	120-277VAC	500mA DC	DALI-2 - 1%	☺	☹	☺	☺	☺	1 - 2	
IC-RD-DP-0101-EL-500-10	Remote Driver "A"	120-277VAC	500mA DC	0-10V - 1%	☺	☹	☺	☺	☺	1	
IC-RD-DP-0101-EL-500-20	Remote Driver "A"	120-277VAC	500mA DC	0-10V - 1%	☺	☹	☺	☺	☺	1 - 2	
IC-RD-DP-0101-EL-500-30	Remote Driver "A"	120-277VAC	500mA DC	0-10V - 1%	☺	☹	☺	☺	☺	1 - 2	
IC-RD-DP-TE1-500-12	Remote Driver "A"	120VAC	500mA DC	ELV & Triac - 1%	☺	☹	☺	☺	☺	1	
IC-RD-DP-TE1-500-20	Remote Driver "A"	120VAC	500mA DC	ELV & Triac - 1%	☺	☹	☺	☺	☺	2	
NON-IC-RD-DP-010P-500-21	Remote Driver "A"	120-277VAC ⁽³⁾	500mA DC	0-10V, ELV & Triac - 1%	☹	☺	☺	☺	☺	2	
IC-RD-DP-D-ELDO-1-700-20	Remote Driver "A"	120-277VAC	700mA DC	DALI-2 - 1%	☺	☹	☺	☺	☺	1	
IC-RD-DP-D-ELDO-1-700-30	Remote Driver "A"	120-277VAC	700mA DC	DALI-2 - 1%	☺	☹	☺	☺	☺	1 - 2	
IC-RD-DP-0101-EL-700-20	Remote Driver "A"	120-277VAC	700mA DC	0-10V - 1%	☺	☹	☺	☺	☺	1	
IC-RD-DP-0101-EL-700-30	Remote Driver "A"	120-277VAC	700mA DC	0-10V - 1%	☺	☹	☺	☺	☺	1 - 2	

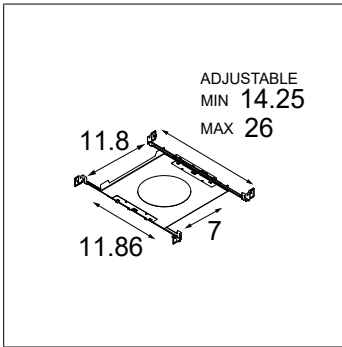
⁽³⁾ Dimming via ELV & Triac only compatible at 120VAC input

⁽⁴⁾ Consult the factory for dimmer compatibility

⁽⁵⁾ Minimum & maximum amount of compatible luminaires, multiple luminaires must be connected in series to a single driver

Mounting Accessories Specifications

- Optional, with cutout hole for the luminaire
- Material: sheet metal (galvanized steel)
- Used to span joists or attach to t-bar



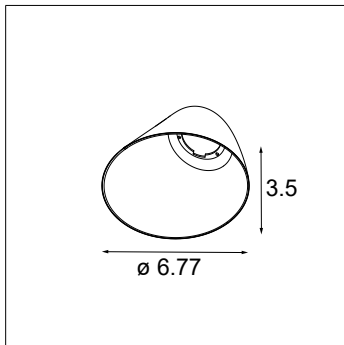
New Construction Frame

Remodel Accessories Ordering Information

Ordering Code	Version
NCF-7.0	New Construction Frame

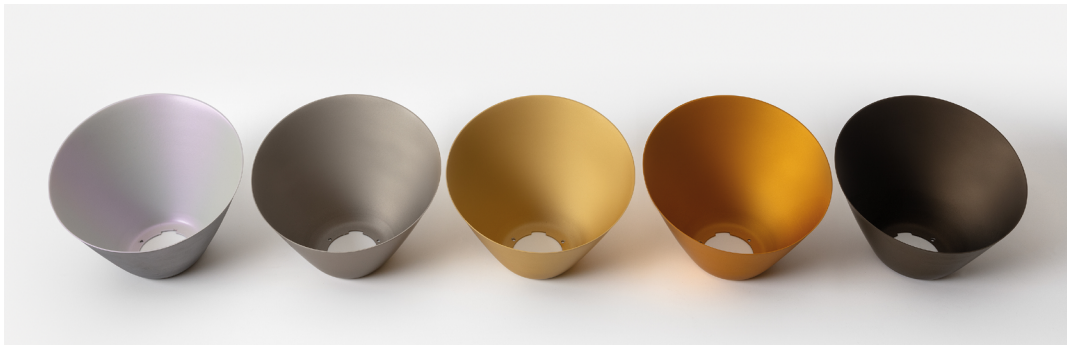
Decorative Accessories Specifications

- Optional, to change the appearance of the luminaire
- Material: sheet metal (aluminum)
- Finish: wet paint (for Pearly White finish) or anodisation
- Can be installed / changed in the field



Shellby Skin

Finish Information



Pearly White (PW), Silver Bronze Anodised (SBA), Champagne Anodised (CA), Gold Anodised (GA) & Bronze Anodised (BA)

Remodel Accessories Ordering Information

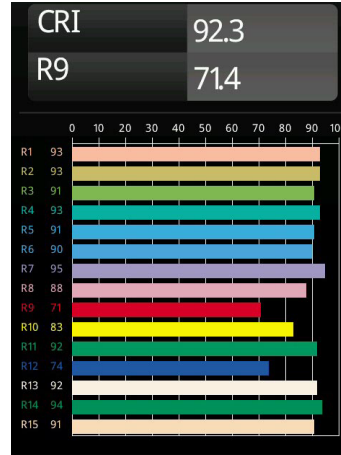
Ordering Code	Version	Finish
SHELLBY-SKIN-PW	Shellby Skin	Pearly White
SHELLBY-SKIN-SBA	Shellby Skin	Silver Bronze Anodised
SHELLBY-SKIN-CA	Shellby Skin	Champagne Anodised
SHELLBY-SKIN-GA	Shellby Skin	Gold Anodised
SHELLBY-SKIN-BA	Shellby Skin	Bronze Anodised

Performance Specifications (per luminaire)

Luminaire	Fixed CCT	Warm Dim
Weight	2.4lbs	2.4lbs
Location	wet (indoor use only)	damp (indoor use only)
IP Rating	IP55	IP20
CRI*	92, R9: 71	95, R9: 86
Lifetime	L80 B20 @ 50,000 hrs	L80 B20 @ 50,000 hrs
UGR	see website	see website
Beam angle	110°	110°
<hr/>		
Electrical (typical)	Fixed CCT	Warm Dim
Drive Current (mA DC)	350 500 700	350
Forward Voltage (V)	16.4 16.9 17.7	33.8
LED Power (W)**	5.7 8.5 12.4	11.8

* CRI & TM-30 Value for 3000K

** Power figures exclude remote driver



For photometric files see website or contact factory.

Output Specifications (per luminaire)

Reference Delivered Lumens	CCT	Drive Current	Finish
516 (ref. 3000K, 500mA, WHS)	2700K (0.98) 3000K (1.00) 3500K (1.06)	350mA (0.74) 500mA (1.00) 700mA (1.30)	BLS (0.45) WHS (1.00) SKIN - BA (0.56) SKIN - CA (0.77) SKIN - GA (0.70) SKIN - SBA (0.68) SKIN - PW (0.86)
508 (ref. 3000K-1800K, 350mA, WHS)	3000K - 1800K (1.00)	350mA (1.00)	BLS (0.42) WHS (1.00) SKIN - BA (0.56) SKIN - CA (0.76) SKIN - GA (0.70) SKIN - SBA (0.68) SKIN - PW (0.85)

Multipliers are indicated between brackets: ()

Example calculation, to determine typical output for 2700K, 700mA, Pearly White Skin: 516 x (0.98) x (1.30) x (0.86) = 565 lumens

Listings and Certifications

- Listed: cULus
- Wet or Damp locations (indoor use only)



Warranty

- Visit <https://www.supermodular.com/en-us/warranty/>