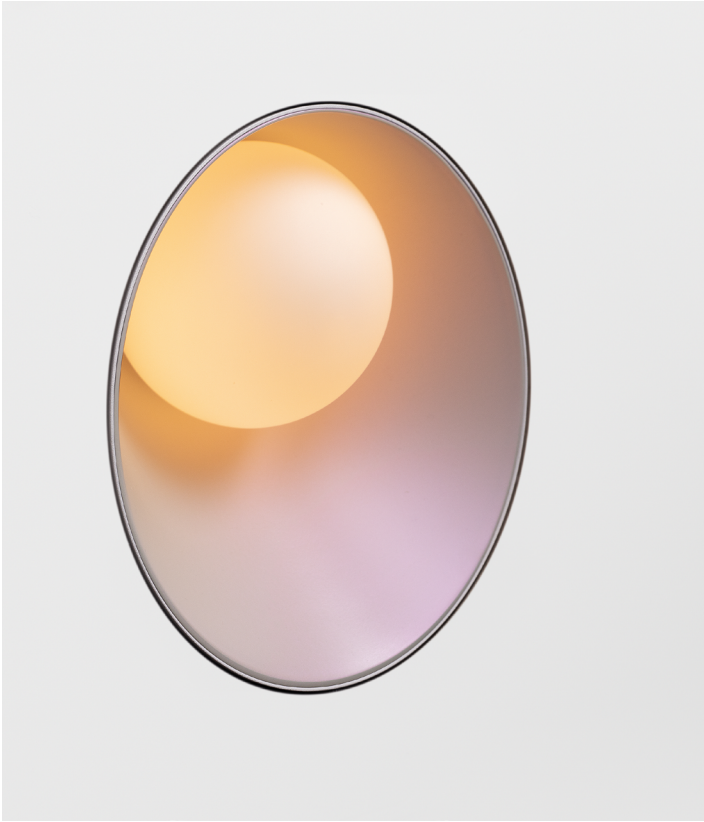


## Shellby Recessed Trimless 6.9 1x DE

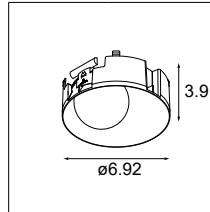
### Overview



The general light of Shellby Recessed Trimless can be enjoyed from a ceiling or wall in an even more streamlined application without trim. Powerful light that brightens your space, and energises you for daily activities, or softer light that inspires calm. Warm dim options set the ideal mood.

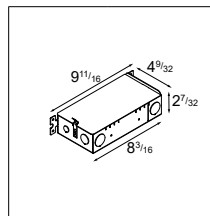
### How to Specify (example)

#### 1. Select Luminaire / Body → Page 2



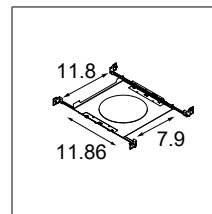
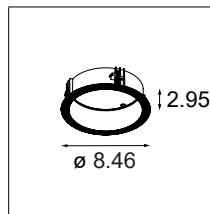
Example: **SHELLBY-R-TL-6.9-1X-30-WT-DE-WHS**  
Shellby Recessed Trimless 6.9 1x, 3000K, wet rated, driver external, white structure

#### 2. Select Remote Driver → Page 3



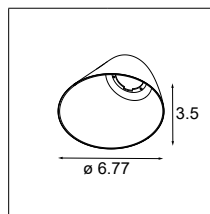
Example: **IC-RD-DP-TE1-500-12**  
Remote Driver, IC rated, damp rated, ELV & Triac, 500mA, 12W

#### 3. Select Mounting Accessory (required) → Page 4



Example: **RING-R-7.0 & NCF-7.9**  
Recessed Ring & New Construction Frame

#### 4. Select Decorative Accessory (optional) → Page 5



Example: **SHELLBY-SKIN-PW**  
Skin, pearly white

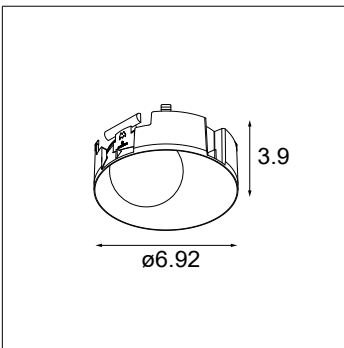
#### Example order:

Quantity	Item
1	<b>SHELLBY-R-TL-6.9-1X-30-WT-DE-WHS</b>
1	<b>IC-RD-DP-TE1-500-12</b>
1	<b>RING-R-7.0</b>
1	<b>NCF-7.9</b>
1	<b>SHELLBY-SKIN-PW</b>

## Shellby Recessed Trimless 6.9 1x DE

### Luminaire Specifications

- Ceiling / wall cutout (for recessed ring): Ø7 7/8"
- Body material: aluminum
- Body finish: powder coat
- Ball material: 3-layered hand blown glass (opal)
- Ball diameter: Ø3 1/2"
- IC (insulation contact) rated
- Can be installed on a drywall ceiling or wall
- Driver: not included in the body
- Must be combined with remote driver (specify on page 3)
- Must be combined with recessed ring (specify on page 4)
- Can optionally be combined with decorative skin (specify on page 5)

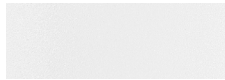


Shellby Recessed Trimless 6.9 1x DE

### Finish Information



Black Structure (BLS)  
Powder Coat (Matte)



White Structure (WHS)  
Powder Coat (Matte)

### Ordering Information

<b>SHELLBY-R-TL-6.9-1X</b>		-		-		-	<b>DE</b>	-	
<b>SHELLBY-R-TL-6.9-1X</b>	Shellby Recessed Trimless 6.9 1x	<b>27</b>	2700K	<b>WT</b>	Wet Location (indoor use only) <sup>(1)</sup>	<b>DE</b>	Driver External	<b>BLS</b>	Black Structure
		<b>30</b>	3000K					<b>WHS</b>	White Structure
		<b>35</b>	3500K	<b>WD versions</b>					
		<b>WD</b>	Warm Dim 3000K - 1800K	<b>DP</b>	Damp Location (indoor use only) <sup>(2)</sup>				

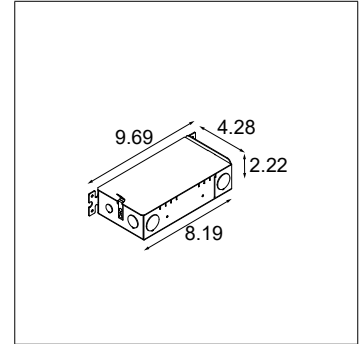
<sup>(1)</sup> Fixed CCT versions are always provided with a wet location rating

<sup>(2)</sup> Warm Dim versions are always provided with a damp location rating

## Shellby Recessed Trimless 6.9 1x DE

### Remote Driver Specifications

- Material: sheet metal (galvanized steel)
- Class 2 constant current power supply
- Multiple luminaires can be connected in series to a single driver
- Box can be bottom, side or t-bar mounted
- 4 knockout holes for line voltage conduit or cable connection
- 4 knockout holes for low-voltage conduit or cable connection
- May be placed up to 50ft away using 16AWG wire
- Suitable for damp locations



Remote Driver "A"

### Electrical Specifications & Ordering Information

Ordering Code	Version	Input	Output	Dim <sup>(4)</sup>	Driver Location					Luminaires <sup>(5)</sup>	
					Recessed IC	Recessed Non-IC	Surface	Cabinet	Under Cabinet	Fixed CCT	Warm Dim
IC-RD-DP-D-ELDO-1-350-10	Remote Driver "A"	120-277VAC	350mA DC	DALI-2 - 1%	☹	☹	☹	☹	☹	1	
IC-RD-DP-D-ELDO-1-350-20	Remote Driver "A"	120-277VAC	350mA DC	DALI-2 - 1%	☹	☹	☹	☹	☹	1 - 3	1
IC-RD-DP-D-ELDO-1-350-30	Remote Driver "A"	120-277VAC	350mA DC	DALI-2 - 1%	☹	☹	☹	☹	☹	1 - 3	1
IC-RD-DP-0101-EL-350-10	Remote Driver "A"	120-277VAC	350mA DC	0-10V - 1%	☹	☹	☹	☹	☹	1	
IC-RD-DP-0101-EL-350-20	Remote Driver "A"	120-277VAC	350mA DC	0-10V - 1%	☹	☹	☹	☹	☹	1 - 3	1
IC-RD-DP-0101-EL-350-30	Remote Driver "A"	120-277VAC	350mA DC	0-10V - 1%	☹	☹	☹	☹	☹	1 - 3	1
NON-IC-RD-DP-010P-350-8	Remote Driver "A"	120-277VAC <sup>(3)</sup>	350mA DC	0-10V, ELV & Triac - 1%	☹	☹	☹	☹	☹	1	
NON-IC-RD-DP-010P-350-14	Remote Driver "A"	120-277VAC <sup>(3)</sup>	350mA DC	0-10V, ELV & Triac - 1%	☹	☹	☹	☹	☹	2	1
IC-RD-DP-D-ELDO-1-500-10	Remote Driver "A"	120-277VAC	500mA DC	DALI-2 - 1%	☹	☹	☹	☹	☹	1	
IC-RD-DP-D-ELDO-1-500-20	Remote Driver "A"	120-277VAC	500mA DC	DALI-2 - 1%	☹	☹	☹	☹	☹	1 - 2	
IC-RD-DP-D-ELDO-1-500-30	Remote Driver "A"	120-277VAC	500mA DC	DALI-2 - 1%	☹	☹	☹	☹	☹	1 - 2	
IC-RD-DP-0101-EL-500-10	Remote Driver "A"	120-277VAC	500mA DC	0-10V - 1%	☹	☹	☹	☹	☹	1	
IC-RD-DP-0101-EL-500-20	Remote Driver "A"	120-277VAC	500mA DC	0-10V - 1%	☹	☹	☹	☹	☹	1 - 2	
IC-RD-DP-0101-EL-500-30	Remote Driver "A"	120-277VAC	500mA DC	0-10V - 1%	☹	☹	☹	☹	☹	1 - 2	
IC-RD-DP-TE1-500-12	Remote Driver "A"	120VAC	500mA DC	ELV & Triac - 1%	☹	☹	☹	☹	☹	1	
IC-RD-DP-TE1-500-20	Remote Driver "A"	120VAC	500mA DC	ELV & Triac - 1%	☹	☹	☹	☹	☹	2	
NON-IC-RD-DP-010P-500-21	Remote Driver "A"	120-277VAC <sup>(3)</sup>	500mA DC	0-10V, ELV & Triac - 1%	☹	☹	☹	☹	☹	2	
IC-RD-DP-D-ELDO-1-700-20	Remote Driver "A"	120-277VAC	700mA DC	DALI-2 - 1%	☹	☹	☹	☹	☹	1	
IC-RD-DP-D-ELDO-1-700-30	Remote Driver "A"	120-277VAC	700mA DC	DALI-2 - 1%	☹	☹	☹	☹	☹	1 - 2	
IC-RD-DP-0101-EL-700-20	Remote Driver "A"	120-277VAC	700mA DC	0-10V - 1%	☹	☹	☹	☹	☹	1	
IC-RD-DP-0101-EL-700-30	Remote Driver "A"	120-277VAC	700mA DC	0-10V - 1%	☹	☹	☹	☹	☹	1 - 2	

<sup>(3)</sup> Dimming via ELV & Triac only compatible at 120VAC input

<sup>(4)</sup> Consult the factory for dimmer compatibility

<sup>(5)</sup> Minimum & maximum amount of compatible luminaires, multiple luminaires must be connected in series to a single driver

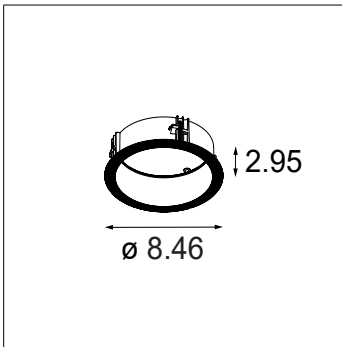
**Mounting Accessories Specifications**

**Recessed Ring**

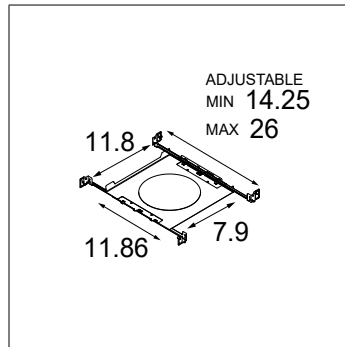
- Required for installation
- Material: cast aluminum
- Ceiling thickness: 1/16" - 1" (drywall only)

**New Construction Frame**

- Optional, with cutout hole for the recessed ring
- Material: sheet metal (galvanized steel)
- Used to span joists or attach to t-bar



Recessed Ring



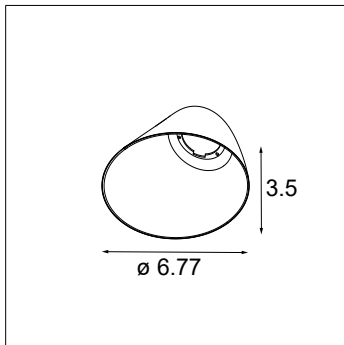
New Construction Frame

**Remodel Accessories Ordering Information**

Ordering Code	Version
RING-R-7.0	Recessed Ring
NCF-7.9	New Construction Frame

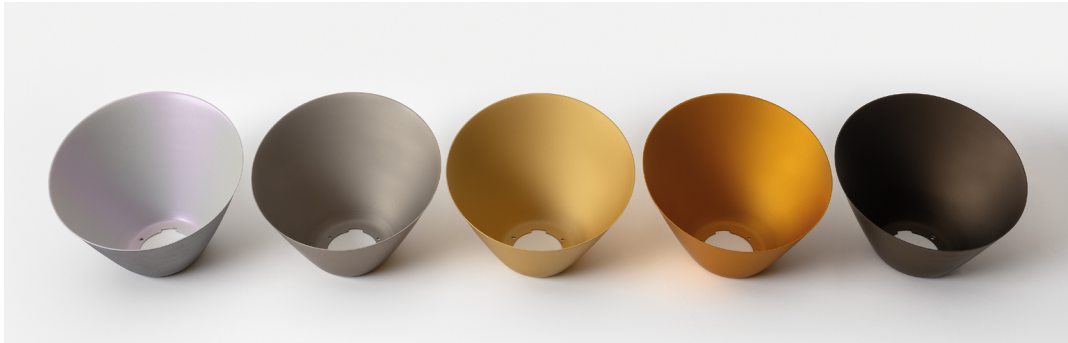
**Decorative Accessories Specifications**

- Optional, to change the appearance of the luminaire
- Material: sheet metal (aluminum)
- Finish: wet paint (for Pearly White finish) or anodisation
- Can be installed / changed in the field



Shellby Skin

**Finish Information**



Pearly White (PW), Silver Bronze Anodised (SBA), Champagne Anodised (CA), Gold Anodised (GA) & Bronze Anodised (BA)

**Remodel Accessories Ordering Information**

Ordering Code	Version	Finish
SHELLBY-SKIN-PW	Shellby Skin	Pearly White
SHELLBY-SKIN-SBA	Shellby Skin	Silver Bronze Anodised
SHELLBY-SKIN-CA	Shellby Skin	Champagne Anodised
SHELLBY-SKIN-GA	Shellby Skin	Gold Anodised
SHELLBY-SKIN-BA	Shellby Skin	Bronze Anodised

## Shellby Recessed Trimless 6.9 1x DE

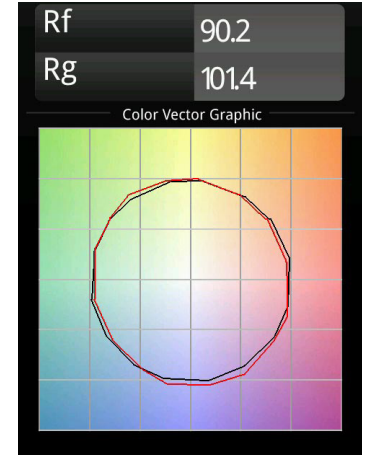
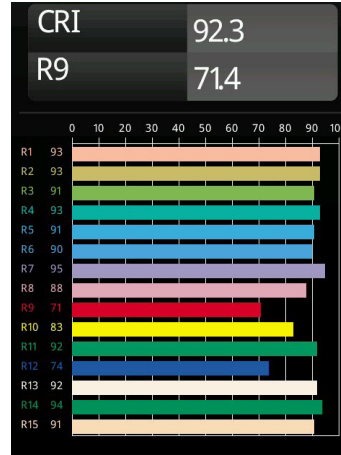
### Performance Specifications (per luminaire)

Luminaire	Fixed CCT	Warm Dim
Weight	2.2lbs	2.2lbs
Location	wet (for indoor use only)	damp (for indoor use only)
CRI*	92, R9: 71	95, R9: 86
Lifetime	L80 B20 @ 50,000 hrs	L80 B20 @ 50,000 hrs
UGR	see website	see website
Beam angle	110°	110°

Electrical (typical)	Fixed CCT			Warm Dim
Drive Current (mA DC)	350	500	700	350
Forward Voltage (V)	16.4	16.9	17.7	33.8
LED Power (W)**	5.7	8.5	12.4	11.8

\* CRI & TM-30 Value for 3000K

\*\* Power figures exclude remote driver



For photometric files see website or contact factory.

### Output Specifications (per luminaire)

Reference Delivered Lumens	CCT	Drive Current	Finish
516 (ref. 3000K, 500mA, WHS)	2700K (0.98) 3000K (1.00) 3500K (1.06)	350mA (0.74) 500mA (1.00) 700mA (1.30)	BLS (0.45) WHS (1.00) SKIN - BA (0.56) SKIN - CA (0.77) SKIN - GA (0.70) SKIN - SBA (0.68) SKIN - PW (0.86)
508 (ref. 3000K-1800K, 350mA, WHS)	3000K - 1800K (1.00)	350mA (1.00)	BLS (0.42) WHS (1.00) SKIN - BA (0.56) SKIN - CA (0.76) SKIN - GA (0.70) SKIN - SBA (0.68) SKIN - PW (0.85)

Multipliers are indicated between brackets: ( )

Example calculation, to determine typical output for 2700K, 700mA, Pearly White Skin: 516 x (0.98) x (1.30) x (0.86) = 565 lumens

### Listings and Certifications

- Listed: cULus
- Wet or Damp locations (for indoor use only)



### Warranty

- Visit <https://www.supermodular.com/en-us/warranty/>