

## Extruded Stripped Suspended 1.8 1x DE

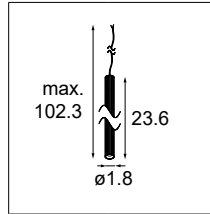
### Overview



Strong lines that blend. Extruded Stripped is a contemporary design that harmonizes smoothly with its environment. This new family welcomes statement and stillness in a very minimalist look.

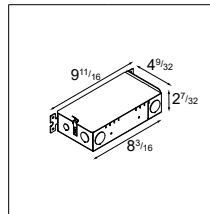
### How to Specify (example)

#### 1. Select Luminaire / Body → Page 2



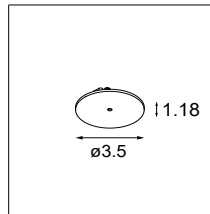
Example: **EXTRS-SP-1.8-23.6-1X-30F-DP-DE-BRA**  
Extruded Stripped Suspended 1.8 1x, tube length 23.6", 3000K, flood, damp rated, driver external, bronze

#### 2. Select Remote Driver → Page 3



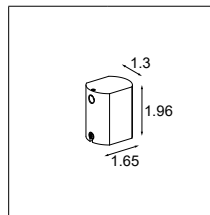
Example: **IC-RD-DP-TE1-500-12**  
Remote Driver, IC rated, damp rated, ELV & Triac, 500mA, 12W

#### 3. Select Canopy (required) → Page 4



Example: **SPPF-CONH-SR-EXTRS-DE-BLS**  
Recessed Round Canopy, Black Structure

#### 4. Select Mounting Accessory (required) → Page 5



Example: **CB-PLACE-EXTRS-DE**  
Connection Box

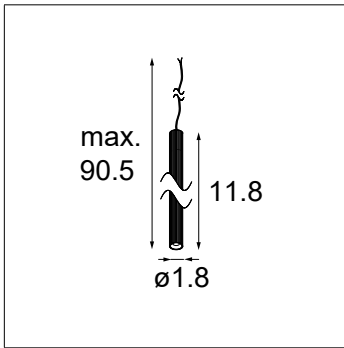
Example order:

Quantity	Item
1	<b>EXTRS-SP-1.8-23.6-1X-30F-DP-DE-BRA</b>
1	<b>IC-RD-DP-TE1-500-12</b>
1	<b>SPPF-CONH-SR-EXTRS-DE-BLS</b>
1	<b>CB-PLACE-EXTRS-DE</b>

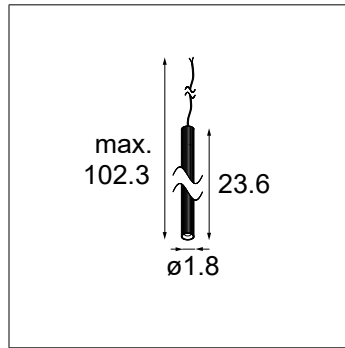
## Extruded Stripped Suspended 1.8 1x DE

### Luminaire Specifications

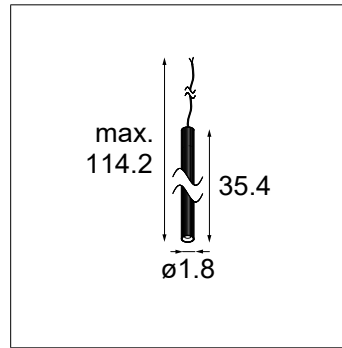
- Aperture: 0.9"
- Tube material: aluminum (available in different lengths)
- Tube finish: powder coat or anodisation
- Inner glare control ring: always matte black
- Cable diameter: 0.17"
- Cable color: black
- Cable length: 78.7" (can be field adjusted)
- Driver: not included in the body
- Must be combined with remote driver (specify on page 3)
- Must be combined with canopy & mounting accessory (specify on page 4 - 5)



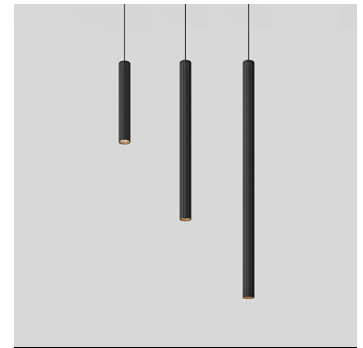
Extruded Stripped 1.8 1x DE  
Tube length: 11.8"



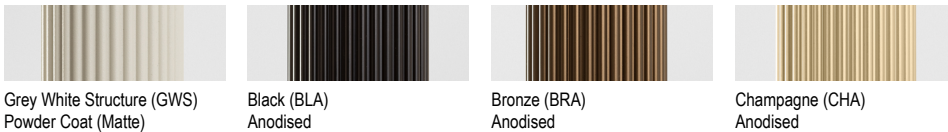
Extruded Stripped 1.8 1x DE  
Tube length: 23.6"



Extruded Stripped 1.8 1x DE  
Tube length: 35.4"



### Finish Information



Grey White Structure (GWS)  
Powder Coat (Matte)

Black (BLA)  
Anodised

Bronze (BRA)  
Anodised

Champagne (CHA)  
Anodised

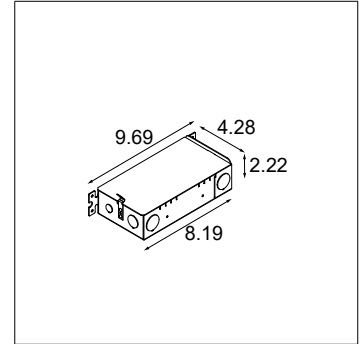
### Ordering Information

				F	DP	DE		
<b>EXTRS-SP-1.8-11.8-1X</b>	Extruded Stripped 1.8 1x Tube length: 11.8"	<b>27</b>	2700K	<b>F</b> Flood	<b>DP</b> Damp Location		<b>GWS</b> Grey White Structure	
<b>EXTRS-SP-1.8-23.6-1X</b>	Extruded Stripped 1.8 1x Tube length: 23.6"	<b>30</b>	3000K				<b>BLA</b> Black	
<b>EXTRS-SP-1.8-35.4-1X</b>	Extruded Stripped 1.8 1x Tube length: 35.4"	<b>35</b>	3500K				<b>BRA</b> Bronze	
		<b>WD</b>	Warm Dim 3000K - 1800K				<b>CHA</b> Champagne	

## Extruded Stripped Suspended 1.8 1x DE

### Remote Driver Specifications

- Material: sheet metal (galvanized steel)
- Class 2 constant current power supply
- Multiple luminaires can be connected in series to a single driver
- Box can be bottom, side or t-bar mounted
- 4 knockout holes for line voltage conduit or cable connection
- 4 knockout holes for low-voltage conduit or cable connection
- May be placed up to 50ft away using 16AWG wire
- Suitable for damp locations



Remote Driver "A"

### Electrical Specifications & Ordering Information

Ordering Code	Version	Input	Output	Dim <sup>(2)</sup>	Driver Location					Luminaires <sup>(3)</sup>	
					Recessed IC	Recessed Non-IC	Surface	Cabinet	Under Cabinet	Fixed CCT	Warm Dim
IC-RD-DP-D-ELDO-1-350-10	Remote Driver "A"	120-277VAC	350mA DC	DALI-2 - 1%	☹	☹	☹	☹	☹		1
IC-RD-DP-D-ELDO-1-350-20	Remote Driver "A"	120-277VAC	350mA DC	DALI-2 - 1%	☹	☹	☹	☹	☹		1 - 2
IC-RD-DP-D-ELDO-1-350-30	Remote Driver "A"	120-277VAC	350mA DC	DALI-2 - 1%	☹	☹	☹	☹	☹		1 - 2
IC-RD-DP-0101-EL-350-10	Remote Driver "A"	120-277VAC	350mA DC	0-10V - 1%	☹	☹	☹	☹	☹		1
IC-RD-DP-0101-EL-350-20	Remote Driver "A"	120-277VAC	350mA DC	0-10V - 1%	☹	☹	☹	☹	☹		1 - 2
IC-RD-DP-0101-EL-350-30	Remote Driver "A"	120-277VAC	350mA DC	0-10V - 1%	☹	☹	☹	☹	☹		1 - 2
NON-IC-RD-DP-010P-350-8	Remote Driver "A"	120-277VAC <sup>(1)</sup>	350mA DC	0-10V, ELV & Triac - 1%	☹	☹	☹	☹	☹		1
NON-IC-RD-DP-010P-350-14	Remote Driver "A"	120-277VAC <sup>(1)</sup>	350mA DC	0-10V, ELV & Triac - 1%	☹	☹	☹	☹	☹		2
IC-RD-DP-D-ELDO-1-500-10	Remote Driver "A"	120-277VAC	500mA DC	DALI-2 - 1%	☹	☹	☹	☹	☹	1	
IC-RD-DP-D-ELDO-1-500-20	Remote Driver "A"	120-277VAC	500mA DC	DALI-2 - 1%	☹	☹	☹	☹	☹	1 - 2	
IC-RD-DP-D-ELDO-1-500-30	Remote Driver "A"	120-277VAC	500mA DC	DALI-2 - 1%	☹	☹	☹	☹	☹	1 - 2	
IC-RD-DP-0101-EL-500-10	Remote Driver "A"	120-277VAC	500mA DC	0-10V - 1%	☹	☹	☹	☹	☹	1	
IC-RD-DP-0101-EL-500-20	Remote Driver "A"	120-277VAC	500mA DC	0-10V - 1%	☹	☹	☹	☹	☹	1 - 2	
IC-RD-DP-0101-EL-500-30	Remote Driver "A"	120-277VAC	500mA DC	0-10V - 1%	☹	☹	☹	☹	☹	1 - 2	
IC-RD-DP-TE1-500-12	Remote Driver "A"	120VAC	500mA DC	ELV & Triac - 1%	☹	☹	☹	☹	☹	1	
IC-RD-DP-TE1-500-20	Remote Driver "A"	120VAC	500mA DC	ELV & Triac - 1%	☹	☹	☹	☹	☹	2	
NON-IC-RD-DP-010P-500-21	Remote Driver "A"	120-277VAC <sup>(1)</sup>	500mA DC	0-10V, ELV & Triac - 1%	☹	☹	☹	☹	☹	2	

<sup>(1)</sup> Dimming via ELV & Triac only compatible at 120VAC input

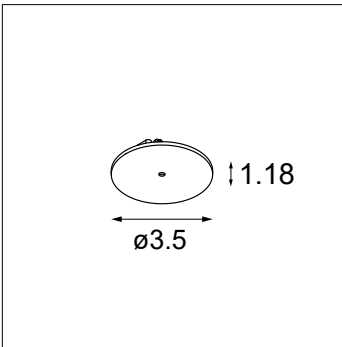
<sup>(2)</sup> Consult the factory for dimmer compatibility

<sup>(3)</sup> Minimum & maximum amount of compatible luminaires, multiple luminaires must be connected in series to a single driver

## Extruded Stripped Suspended 1.8 1x DE

### Canopy Specifications

- Canopy is required for installation
- Must be combined with Backplate or Plaster Plate for installation with a 4"x4" octagonal junction box (ordered separately, specify on page 5)
- Must be combined with Connection Box for installation without junction box (ordered separately, specify on page 5)
- Material: aluminum
- Finish: powder coat
- Flange thickness: 0.14"
- Weight: 0.2lbs



Recessed Round Canopy

### Finish Information



Black Structure (BLS)  
Powder Coat (Matte)



Grey White Structure (GWS)  
Powder Coat (Matte)

### Ordering Information

Ordering Code	Version	Compatible Drive Current <sup>(4)</sup>	Finish
SPPF-CONH-SR-EXTRS-WD-DE-BLS	Recessed Round Canopy	350mA DC (Warm Dim)	Black Structure
SPPF-CONH-SR-EXTRS-WD-DE-GWS	Recessed Round Canopy	350mA DC (Warm Dim)	Grey White Structure
SPPF-CONH-SR-EXTRS-DE-BLS	Recessed Round Canopy	500mA DC (Fixed CCT)	Black Structure
SPPF-CONH-SR-EXTRS-DE-GWS	Recessed Round Canopy	500mA DC (Fixed CCT)	Grey White Structure

<sup>(4)</sup> Canopy compatible drive current must match Remote Driver output

**Mounting Accessories Specifications**

**Backplate**

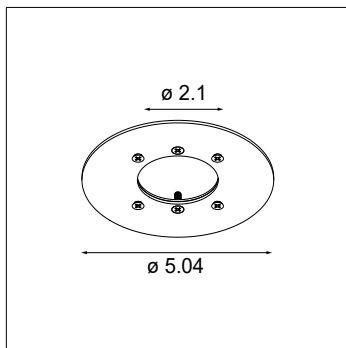
- For Canopy installation with a 4"x4" octagonal junction box
- Backplate covers the junction box
- Material: stainless steel
- Finish: powder coat
- Thickness: 0.08"
- Weight: 0.6lbs

**Plaster Plate**

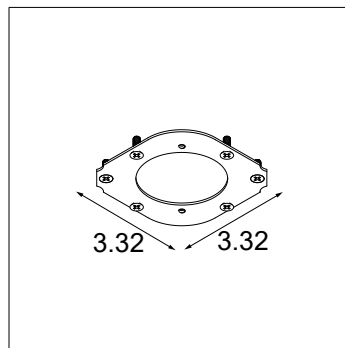
- For Canopy installation with a 4"x4" octagonal junction box
- Plaster finish
- Material: stainless steel
- Thickness: 0.06"
- Weight: 0.2lbs

**Connection Box**

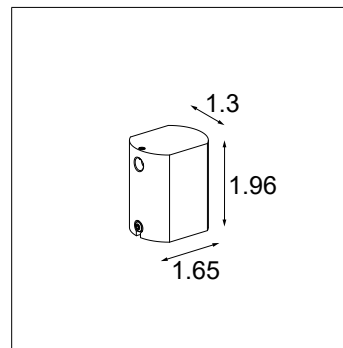
- For Canopy installation without junction box
- Ceiling cutout: Ø2 1/8"
- Connection Box material: aluminum
- Weight: 0.1lbs



Backplate



Plasterplate

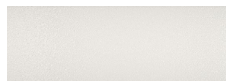


Connection Box

**Finish Information**



Black Structure (BLS)  
Powder Coat (Matte)



Grey White Structure (GWS)  
Powder Coat (Matte)

**Ordering Information**

Ordering Code	Version	Finish
BP-C-44-PLACE-EXTRS-DE-BLS	Backplate for 4"x4" octagonal junction box	Black Structure
BP-C-44-PLACE-EXTRS-DE-GWS	Backplate for 4"x4" octagonal junction box	Grey White Structure
PP-44-PLACE-EXTRS-DE	Plasterplate for 4"x4" octagonal junction box	n/a
CB-PLACE-EXTRS-DE	Connection Box	n/a

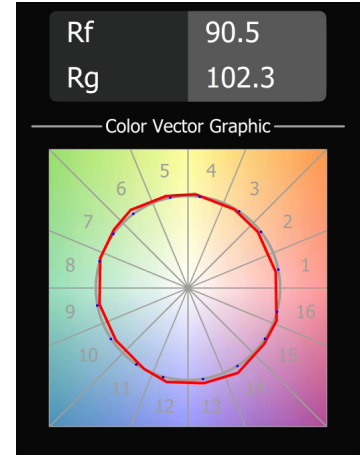
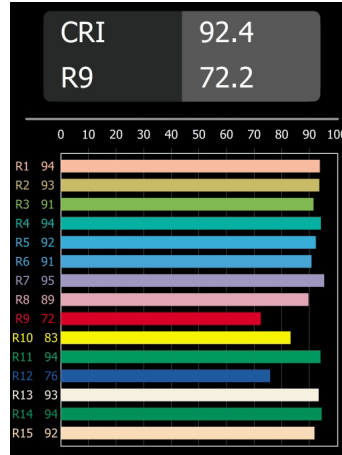
## Extruded Stripped Suspended 1.8 1x DE

### Performance Specifications (per luminaire)

Luminaire	Fixed CCT	Warm Dim
Weight (length: 11.8")	1.4lbs	1.4lbs
Weight (length: 23.6")	2.4lbs	2.4lbs
Weight (length: 35.4")	3.5lbs	3.5lbs
Location	damp	damp
CRI*	92, R9: 72	95, R9: 88
Lifetime	L80 B20 @ 50,000 hrs	L80 B20 @ 50,000 hrs
UGR	see website	see website
Beam angle	43°	48°
<hr/>		
Electrical (typical)	Fixed CCT	Warm Dim
Drive Current (mA DC)	500	350
Forward Voltage (V)	17.6	17.0
LED Power (W)**	8.8	6.0

\* CRI & TM-30 Value for 3000K

\*\* Power figures exclude remote driver



For photometric files see website or contact factory.

### Output Specifications (per luminaire)

Reference Delivered Lumens	CCT	Drive Current	Finish
794 (ref. 3000K, 500mA, GWS)	2700K (0.98) 3000K (1.00) 3500K (1.08)	500mA (1.00)	GWS (1.00) BLA (1.00) BRA (1.00) CHA (1.00)
379 (ref. 3000K-1800K, 350mA, GWS)	3000K - 1800K (1.00)	350mA (1.00)	GWS (1.00) BLA (1.00) BRA (1.00) CHA (1.00)

Multipliers are indicated between brackets: ( )

Example calculation, to determine typical output for 2700K, 500mA, bronze: 794 x (0.98) x (1.00) x (1.00) = 778 lumens

### Listings and Certifications

- Listed: cULus
- Damp locations



### Warranty

- Visit <https://www.supermodular.com/en-us/warranty/>