

Pista Track 48V High Suspended

Overview



Our popular Track 48V is making itself seen with a new High Profile track. While keeping its slimness and sleek looks, the larger track boasts a more voluminous presence. To top it off, the generous height becomes a canvas for brushed colours giving it a visual appeal that stands out even more.

General Information

General

- Profile finish: powder coat or anodisation
- Dry locations only
- Spot and linear fixtures available, see separate datasheets for detailed information
- Upon insertion, fixtures attach magnetically to the Track Profile or lock into the Track Profile
- Fixtures can be moved in the Track Profile by sliding

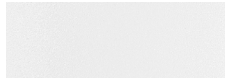
Electrical

- UL Class 2 only
- Input: 48V DC (see Power Supply section)
- Circuits: 1 circuit + data bus
- Maximum 100W per track circuit
- Dimming: 0-10V or DALI (specified separately in the fixture)

Finish Information



Black Structure (BLS)
Powder Coat (Matte)



White Structure (WHS)
Powder Coat (Matte)



Bronze (BRBA)
Anodised (Brushed)



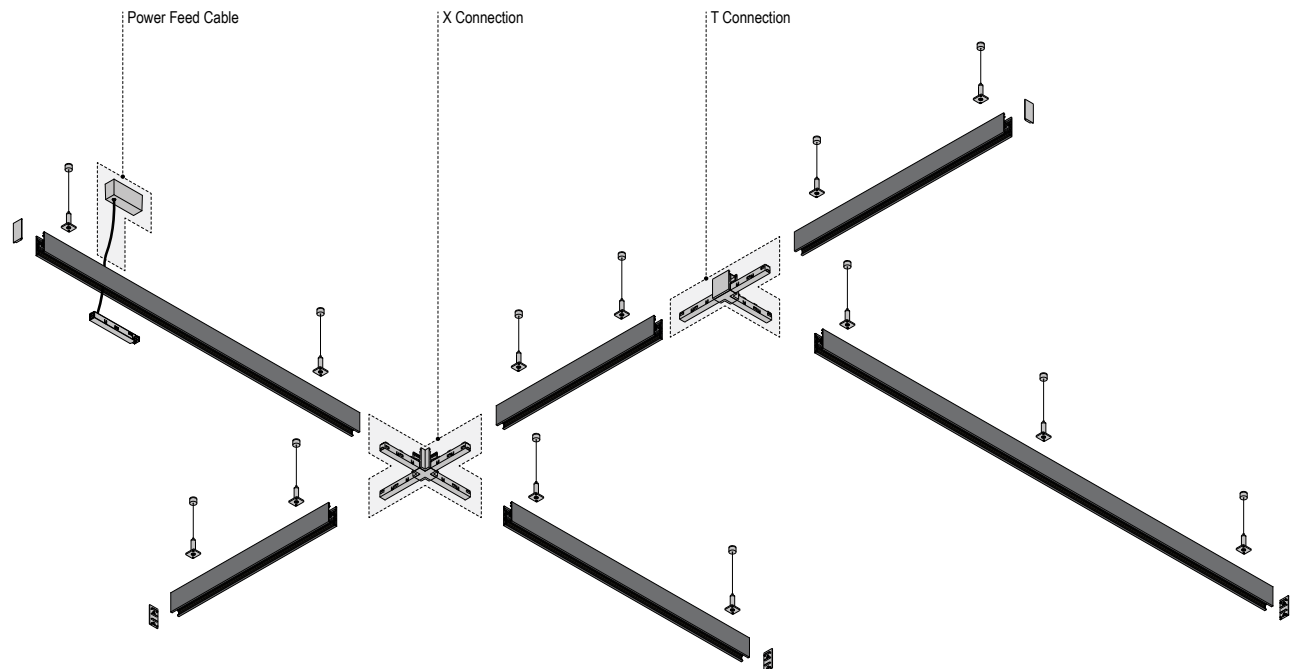
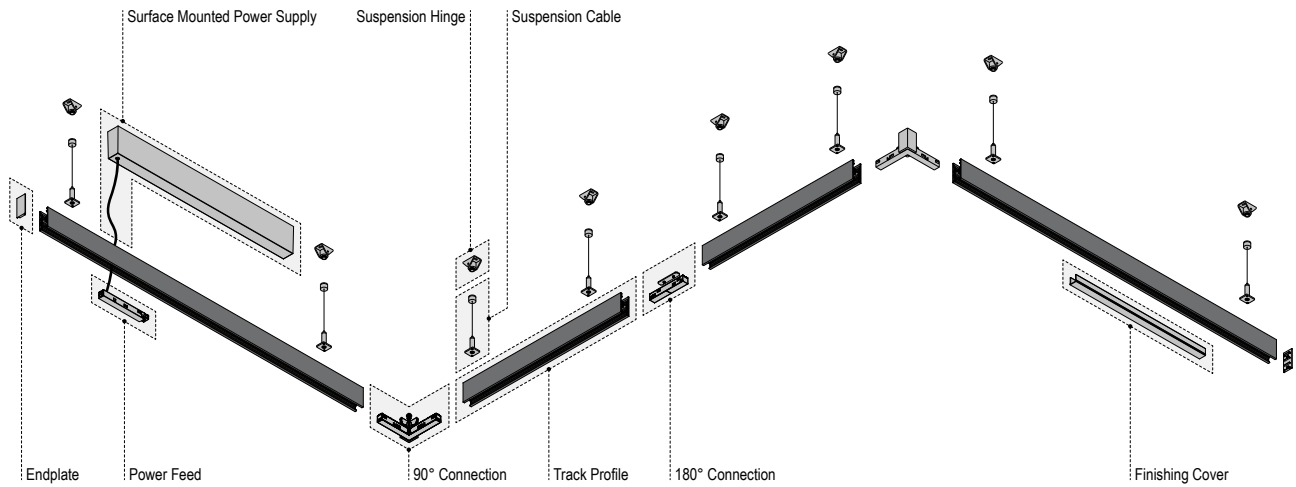
Champagne (CHBA)
Anodised (Brushed)



Pista Track 48V High Suspended

Components & Configuration

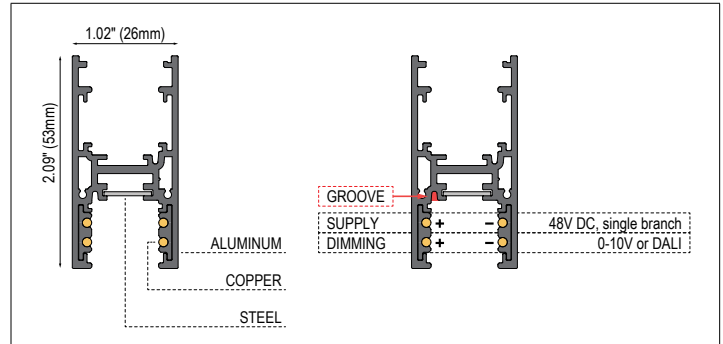
- See following pages for detailed component and ordering information



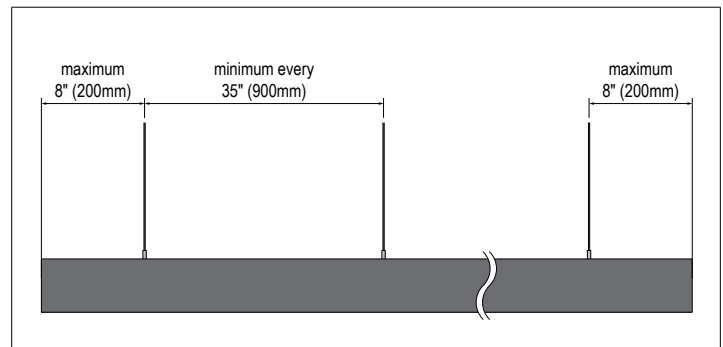
Pista Track 48V High Suspended

Track Profile Specifications

- For suspended ceiling installation
- Profile finish: powder coat or anodisation
- Available lengths: 39.4", 78.7" & 118.1" (can be field cut)
- Power supplies and accessories are ordered separately
- Maximum load = 22lb (10kg) for profile length ≤ 39" (1m)
- Add 11lb (5kg) to the maximum load for each additional profile length of 39" (1m)
- When connecting multiple profiles, the "groove" should always be on the same side
- Weight: 0.8lbs/ft



Materials / Dimensions / Electrical



Mechanical Fixation

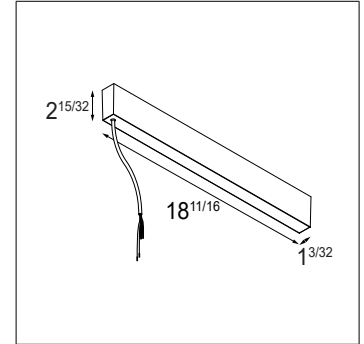
Ordering Information

Ordering Code	Version	Length	Finish	Quantity (pcs)
PISTA-T48V-PROF-H-39.4-BLS	Track Profile	39.4"	Black Structure	
PISTA-T48V-PROF-H-39.4-WHS	Track Profile	39.4"	White Structure	
PISTA-T48V-PROF-H-78.7-BLS	Track Profile	78.7"	Black Structure	
PISTA-T48V-PROF-H-78.7-WHS	Track Profile	78.7"	White Structure	
PISTA-T48V-PROF-H-78.7-BRBA	Track Profile	78.7"	Bronze Anodised	
PISTA-T48V-PROF-H-78.7-CHBA	Track Profile	78.7"	Champagne Anodised	
PISTA-T48V-PROF-H-118.1-BLS	Track Profile	118.1"	Black Structure	
PISTA-T48V-PROF-H-118.1-WHS	Track Profile	118.1"	White Structure	
PISTA-T48V-PROF-H-118.1-BRBA	Track Profile	118.1"	Bronze Anodised	
PISTA-T48V-PROF-H-118.1-CHBA	Track Profile	118.1"	Champagne Anodised	

Power Supply Specifications - Surface Mounted Drivers

Surface Mounted Power Supply

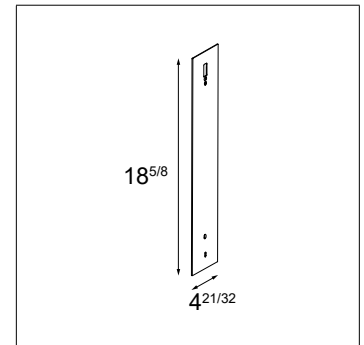
- Class 2 constant voltage power supply
- Included: plaster finish plate for installation with a 4"x4" octagonal junction box
- Must be combined with Power Feed (specify on page 7)
- Can optionally be combined with Backplate to cover the junction box
- For surface mount use only
- Box material: cast aluminum
- Box finish: powder coat
- Cable diameter: 0.27"
- Cable color: black
- Cable finish: PVC
- Cable length: 78.7" (can be field adjusted)
- Cable conductors: 4x18AWG
- Maximum load: 90% of rated power
- Power factor: > 0.9
- Dry locations only
- Weight: 2.2lbs



Surface Mounted Power Supply

Backplate for Surface Mounted Power Supply

- Optional accessory for Surface mounted Power Supply
- Backplate covers a 4"x4" octagonal or 3"x2" junction box
- Material: stainless steel
- Finish: powder coat
- Thickness: 0.08"
- Weight: 2.0lbs



Backplate

Electrical Specifications & Ordering Information

Ordering Code	Input	Output	Finish	Quantity (pcs)
PISTA-T48V-SMLEDPWRSUPPLY-40W-SS-DY-BLS	120-277VAC - 50/60Hz	48VDC - 40W	Black Structure	
PISTA-T48V-SMLEDPWRSUPPLY-40W-SS-DY-WHS	120-277VAC - 50/60Hz	48VDC - 40W	White Structure	
PISTA-T48V-SMLEDPWRSUPPLY-60W-SS-DY-BLS	120-277VAC - 50/60Hz	48VDC - 60W	Black Structure	
PISTA-T48V-SMLEDPWRSUPPLY-60W-SS-DY-WHS	120-277VAC - 50/60Hz	48VDC - 60W	White Structure	
PISTA-T48V-SMLEDPWRSUPPLY-96W-SS-DY-BLS	120-277VAC - 50/60Hz	48VDC - 96W	Black Structure	
PISTA-T48V-SMLEDPWRSUPPLY-96W-SS-DY-WHS	120-277VAC - 50/60Hz	48VDC - 96W	White Structure	

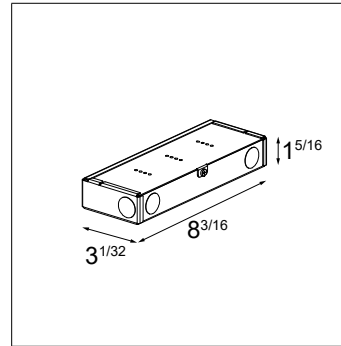
Accessories Ordering Information

Ordering Code	Version	Finish	Quantity (pcs)
BP-C-32-SMLEDPWRSUPPLY-BLS	Backplate for 3"x2" junction box	Black Structure	
BP-C-32-SMLEDPWRSUPPLY-WHS	Backplate for 3"x2" junction box	White Structure	
BP-C-44-SMLEDPWRSUPPLY-BLS	Backplate for 4"x4" octagonal junction box	Black Structure	
BP-C-44-SMLEDPWRSUPPLY-WHS	Backplate for 4"x4" octagonal junction box	White Structure	

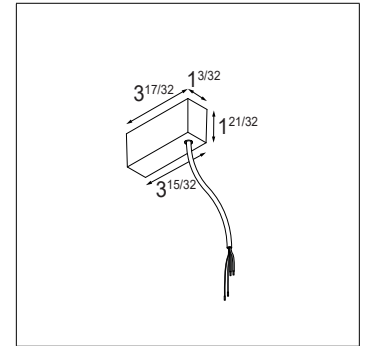
Power Supply Specifications - Remote Drivers

Remote Power Supply

- Class 2 constant voltage power supply
- Must be combined with Power Feed Cable + Connection Box
- For cabinet and surface mount use only
- 4 mounting holes for surface mounting
- 4 knockout holes for line voltage wiring (input)
- 4 knockout holes for low voltage wiring (output)
- May be placed up to 50ft away from track using 16AWG wire
- Maximum load: 90% of rated power
- Power factor: > 0.9
- Dry locations only
- Weight: 1.4lbs



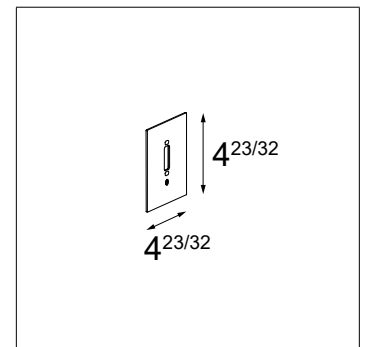
Remote Power Supply



Power Feed Cable + Connection Box

Power Feed Cable + Connection Box

- Included: plaster finish plate for installation with a 4"x4" octagonal junction box
- Must be combined with Power Feed (specify on page 7)
- Can optionally be combined with Backplate to cover the junction box
- Box material: cast aluminum
- Box finish: powder coat
- Cable diameter: 0.27"
- Cable color: black
- Cable finish: PVC
- Cable length: 78.7" (can be field adjusted)
- Cable conductors: 4x18AWG
- Dry locations only
- Weight: 0.5lbs



Backplate

Backplate for Power Feed Cable + Connection Box

- Optional accessory for Power Feed Cable + Connection Box
- Backplate covers a 4"x4" octagonal or 3"x2" junction box
- Material: stainless steel
- Finish: powder coat
- Thickness: 0.08"
- Weight: 0.5lbs

Electrical Specifications & Ordering Information

Ordering Code	Input	Output	Finish	Quantity (pcs)
PISTA-T48V-LEDPWRSUPPLY-60W-DY	120-277VAC - 50/60Hz	48VDC - 60W	n/a	
PISTA-T48V-LEDPWRSUPPLY-96W-DY	120-277VAC - 50/60Hz	48VDC - 96W	n/a	

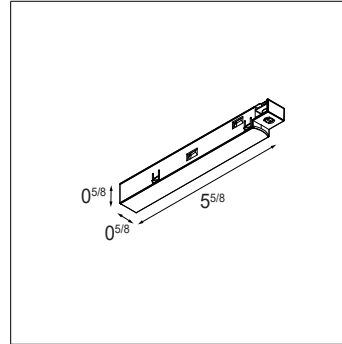
Accessories Ordering Information

Ordering Code	Version	Finish	Quantity (pcs)
PISTA-T48V-PFC-CONNBOX-DY-BLS	Power Feed Cable + Connection Box	Black Structure	
PISTA-T48V-PFC-CONNBOX-DY-WHS	Power Feed Cable + Connection Box	White Structure	
BP-C-32-PISTA-T48V-CB-BLS	Backplate for 3"x2" junction box	Black Structure	
BP-C-32-PISTA-T48V-CB-WHS	Backplate for 3"x2" junction box	White Structure	
BP-C-44-PISTA-T48V-CB-BLS	Backplate for 4"x4" octagonal junction box	Black Structure	
BP-C-44-PISTA-T48V-CB-WHS	Backplate for 4"x4" octagonal junction box	White Structure	

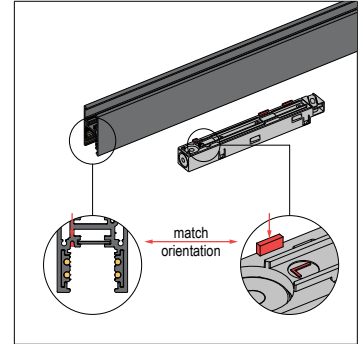
Pista Track 48V High Suspended

Track Accessories Specifications - Power Feed Connectors

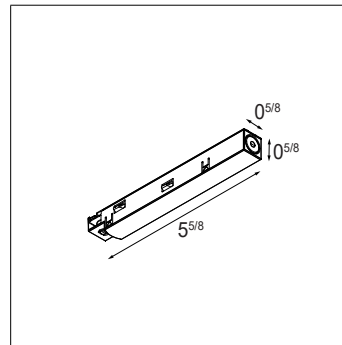
- Used to supply power to the track
- "Groove" side is the difference between Power Feed Left & Right
- Left or Right does not matter if in the middle of the track
- For use with 16-18AWG wire
- Weight: 0.1lbs



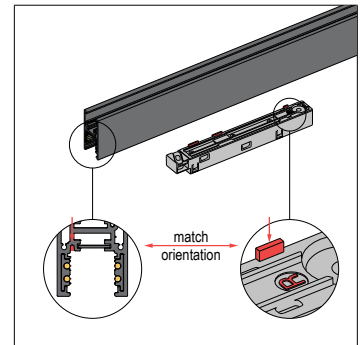
Power Feed Left



Power Feed Left - Groove Orientation



Power Feed Right



Power Feed Right - Groove Orientation

Ordering Information

Ordering Code	Version	Finish	Quantity (pcs)
PISTA-T48V-PFLEFT-DY-BLS	Power Feed Left	Black	
PISTA-T48V-PFLEFT-DY-WHS	Power Feed Left	White	
PISTA-T48V-PFRIGHT-DY-BLS	Power Feed Right	Black	
PISTA-T48V-PFRIGHT-DY-WHS	Power Feed Right	White	

Pista Track 48V High Suspended

Track Accessories Specifications - Track Connectors

180° Connection

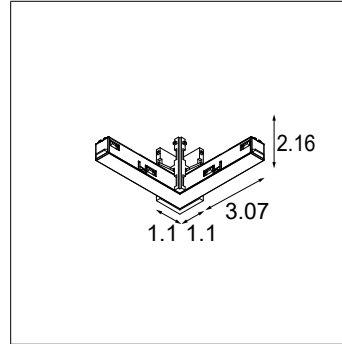
- Connects 2 tracks in the same direction (in the same plane)
- Contains mechanical connection and adapter for electrical continuity
- Can not be used to supply power to the track
- Weight: 0.1lbs

90° Connection Inside

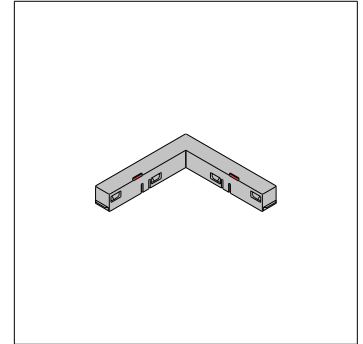
- Connects 2 tracks at a 90° angle (in the same plane)
- Contains mechanical connection and adapter for electrical continuity
- "Groove" is on the inside of the connection
- Can not be used to supply power to the track
- Weight: 0.2lbs

90° Connection Outside

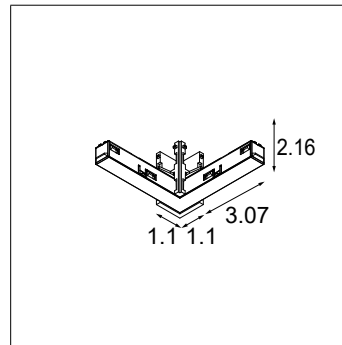
- Connects 2 tracks at a 90° angle (in the same plane)
- Contains mechanical connection and adapter for electrical continuity
- "Groove" is on the outside of the connection
- Can not be used to supply power to the track
- Weight: 0.2lbs



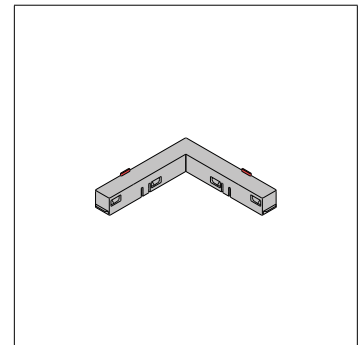
90° Connection Inside



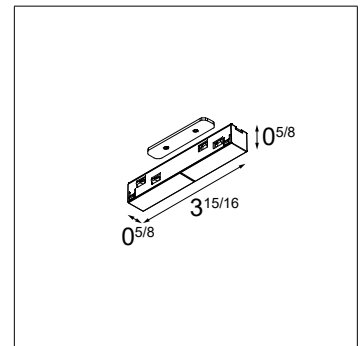
90° Connection Inside - Groove Orientation



90° Connection Outside



90° Connection Outside - Groove Orientation



180° Connection

Ordering Information

Ordering Code	Version	Finish	Quantity (pcs)
PISTA-T48V-CONN180-R-DY-BLS	180° Connection	Black	
PISTA-T48V-CONN180-R-DY-WHS	180° Connection	White	
PISTA-T48V-CONN90IN-H-DY-BLS	90° Connection Inside	Black	
PISTA-T48V-CONN90IN-H-DY-WHS	90° Connection Inside	White	
PISTA-T48V-CONN90OUT-H-DY-BLS	90° Connection Outside	Black	
PISTA-T48V-CONN90OUT-H-DY-WHS	90° Connection Outside	White	

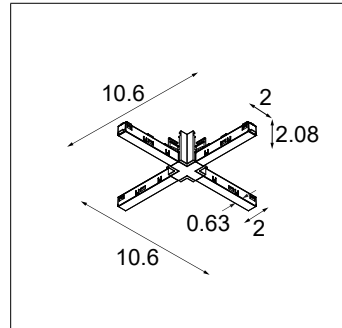
Track Accessories Specifications - Track Connectors (X / T)

X Connection

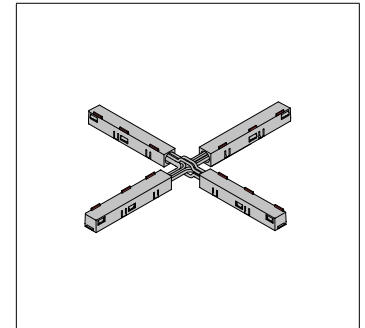
- Connects 4 tracks at 90° angles (in the same plane)
- Contains mechanical connection and adapters for electrical continuity
- Can not be used to supply power to the track
- Weight: 0.4lbs

T Connection

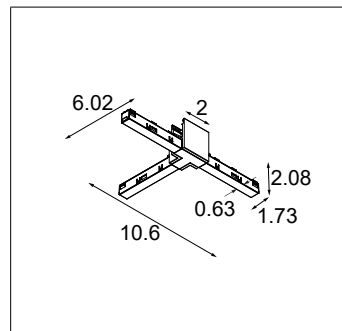
- Connects 3 tracks (in the same plane)
- 2 tracks are connected in the same direction and 1 track at a 90° angle
- "Groove" side is the difference between T Connection Left & Right
- Contains mechanical connection and adapters for electrical continuity
- Can not be used to supply power to the track
- Weight: 0.3lbs



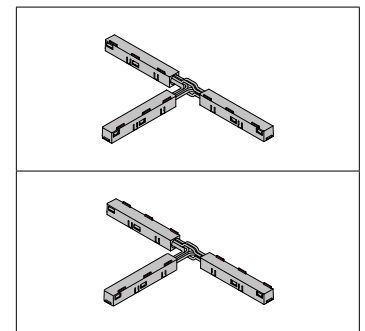
X Connection



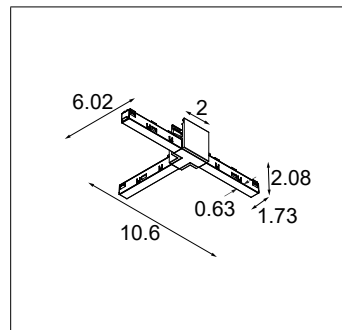
X Connection - Groove orientation



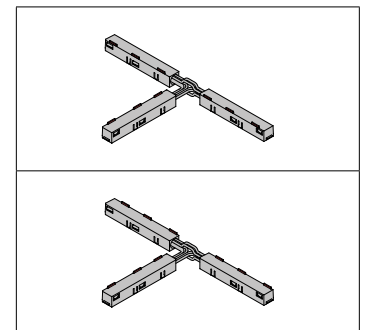
T Connection Left



T Connection Left - Groove orientation possibilities



T Connection Right



T Connection Right - Groove orientation possibilities

Accessories Ordering Information

Ordering Code	Version	Finish	Quantity (pcs)
PISTA-T48V-CONN-X-H-BLS	X Connection	Black	
PISTA-T48V-CONN-X-H-WHS	X Connection	White	
PISTA-T48V-CONNT-H-LEFT-BLS	T Connection Left	Black	
PISTA-T48V-CONNT-H-LEFT-WHS	T Connection Left	White	
PISTA-T48V-CONNT-H-RIGHT-BLS	T Connection Right	Black	
PISTA-T48V-CONNT-H-RIGHT-WHS	T Connection Right	White	

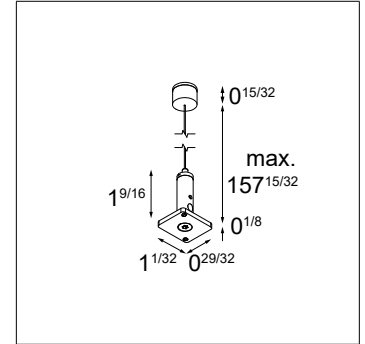
Track Accessories Specifications - Mounting

Suspension Cable

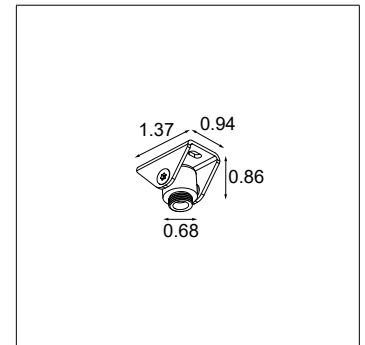
- To suspend the track profile from the ceiling
- Can be combined with Suspension Hinge for sloped ceilings
- Cable diameter: 0.03"
- Cable color: black
- Cable length can be field adjusted
- Weight: 0.07lbs

Suspension Hinge

- To combine with Suspension Cable for sloped ceilings
- Weight: 0.5lbs



Suspension Cable



Suspension Hinge

Ordering Information

Ordering Code	Version	Finish	Quantity (pcs)
PISTA-T48V-CABLE-UD-SS-DY-BLS	Suspension Cable	Black Structure	
PISTA-T48V-CABLE-UD-SS-DY-WHS	Suspension Cable	White Structure	
PISTA-T48V-HINGE-SS-DY-BLS	Suspension Hinge	Black Structure	
PISTA-T48V-HINGE-SS-DY-WHS	Suspension Hinge	White Structure	

Pista Track 48V High Suspended

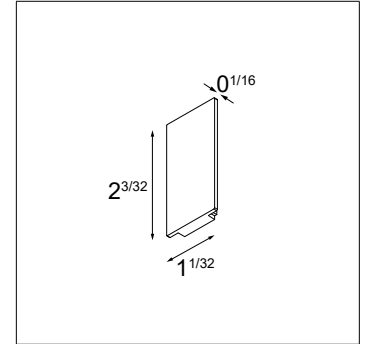
Track Accessories Specifications - Finishing

Endplate

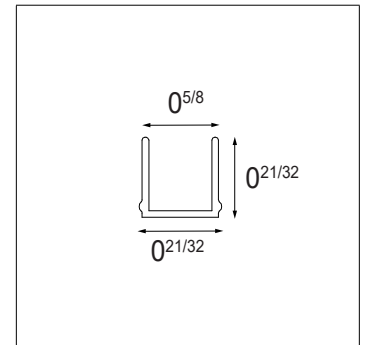
- Contains 2 endplates
- Non-conductive
- Weight: 0.04lbs

Finishing Cover

- Optional
- Can be field cut
- Non-conductive
- Weight: 0.2lbs (39.4" version), 0.4lbs (78.7" version)



Endplate



Finishing Cover

Ordering Information

Ordering Code	Version	Finish	Quantity (pcs)
PISTA-T48V-ENDPLATE-UD-DY-BLS	Endplate	Black	
PISTA-T48V-ENDPLATE-UD-DY-WHS	Endplate	White	
PISTA-T48V-ENDPLATE-UD-DY-BR	Endplate	Bronze	
PISTA-T48V-ENDPLATE-UD-DY-CH	Endplate	Champagne	
PISTA-T48V-COVER-39.4-DY-BLS	Finishing Cover, Length: 39.4"	Black	
PISTA-T48V-COVER-39.4-DY-WHS	Finishing Cover, Length: 39.4"	White	
PISTA-T48V-COVER-78.7-DY-BLS	Finishing Cover, Length: 78.7"	Black	
PISTA-T48V-COVER-78.7-DY-WHS	Finishing Cover, Length: 78.7"	White	

Pista Track 48V High Suspended

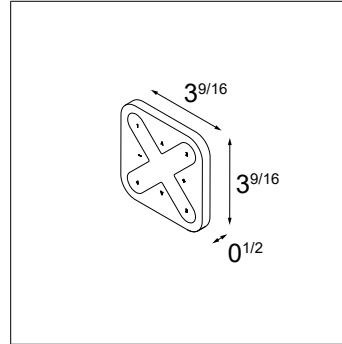
Control Accessories Specifications - Casambi Wireless Control

Casambi Dim Module

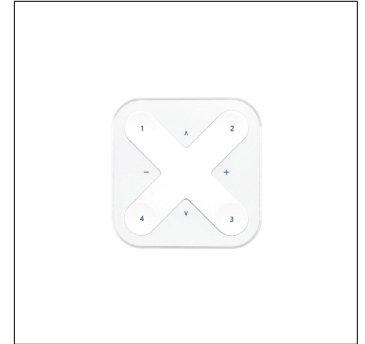
- Utilizes Bluetooth Low Energy Wireless Mesh (no control wires required)
- For individual/discrete fixture control (requires fixtures to be DALI dimmable)
- Connect up to 64 DALI track 48V fixtures to one dim module
- Not to be connected to an existing DALI network
- Only use as independent system
- Contact customer service for the latest configuration & setup documentation
- Weight: 0.1lbs

Casambi Wireless Switch

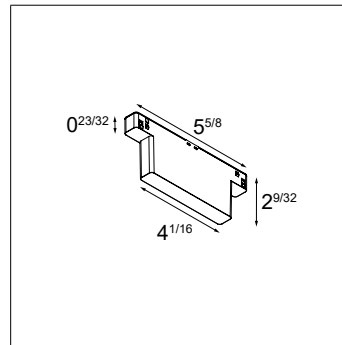
- Range: up to 164ft in open air
- Weight: 0.2lbs



Casambi Wireless Switch



Casambi Wireless Switch



Casambi Dim Module



Casambi Dim Module

Ordering Information

Ordering Code	Version	Finish	Quantity (pcs)
PISTA-T48V-CASAMBI-DIM-BLS	Casambi Dim Module	Black	
PISTA-T48V-CASAMBI-DIM-WHS	Casambi Dim Module	White	
PISTA-T48V-CASAMBI-SWITCH-WH	Casambi Wireless Switch	White	

Listings and Certifications

- Listed: cULus
- Dry locations



Warranty

- Visit <https://www.supermodular.com/en-us/warranty>