

## *Pista Track 48V High Surface*

### *Overview*



Our popular Track 48V is making itself seen with a new High Profile track. While keeping its slimness and sleek looks, the larger track boasts a more voluminous presence. To top it off, the generous height becomes a canvas for brushed colours giving it a visual appeal that stands out even more.

### General Information

#### General

- Profile finish: powder coat or anodisation
- Dry locations only
- Spot and linear fixtures available, see separate datasheets for detailed information
- Upon insertion, fixtures attach magnetically to the Track Profile or lock into the Track Profile
- Fixtures can be moved in the Track Profile by sliding

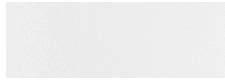
#### Electrical

- UL Class 2 only
- Input: 48V DC (see Power Supply section)
- Circuits: 1 circuit + data bus
- Maximum 100W per track circuit
- Dimming: 0-10V or DALI (specified separately in the fixture)

### Finish Information



Black Structure (BLS)  
Powder Coat (Matte)



White Structure (WHS)  
Powder Coat (Matte)



Bronze (BRBA)  
Anodised (Brushed)

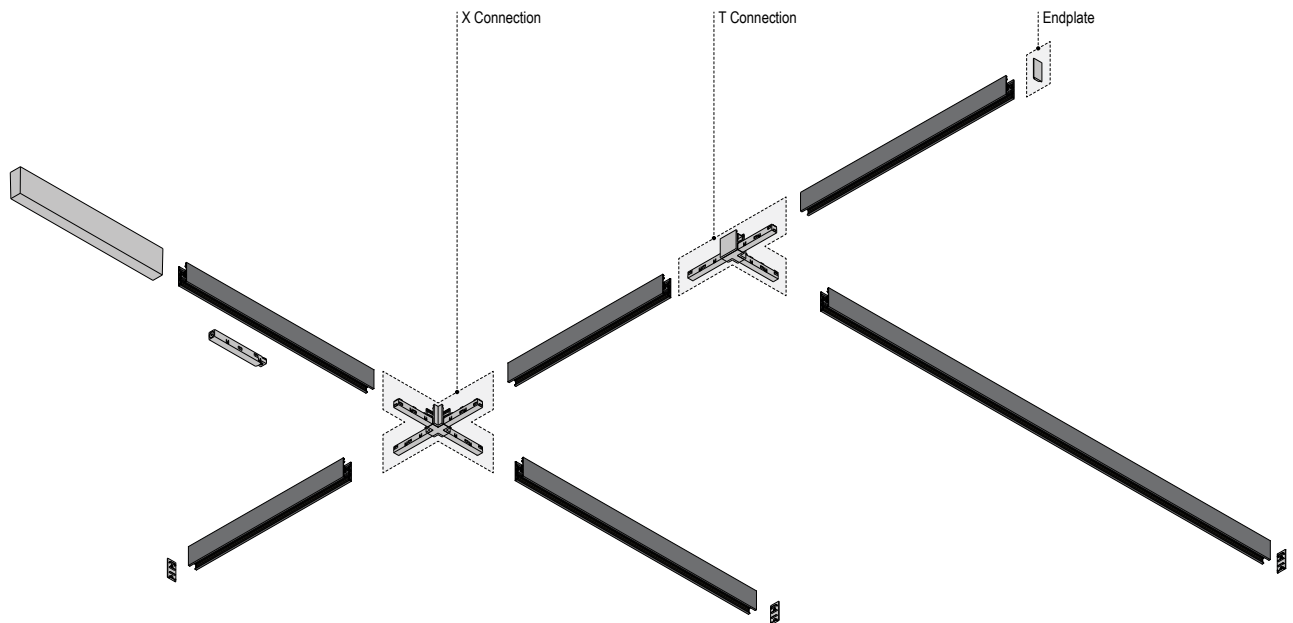
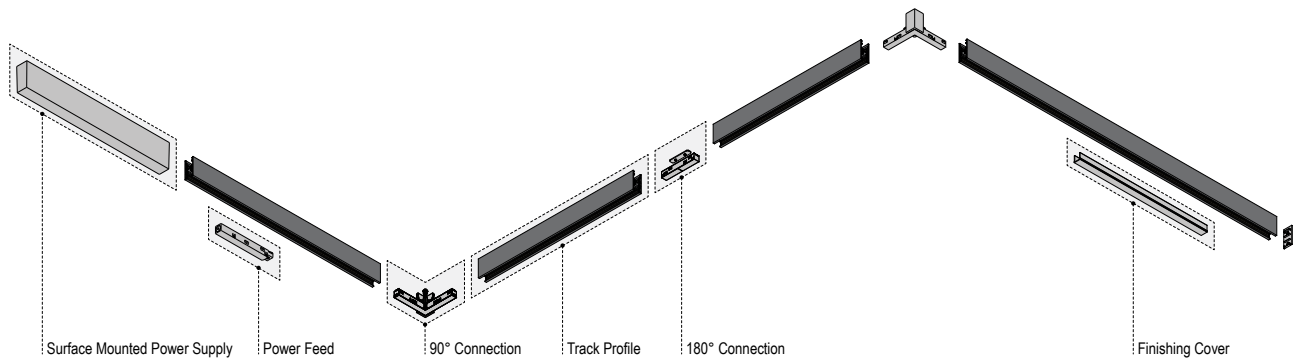


Champagne (CHBA)  
Anodised (Brushed)



**Components & Configuration**

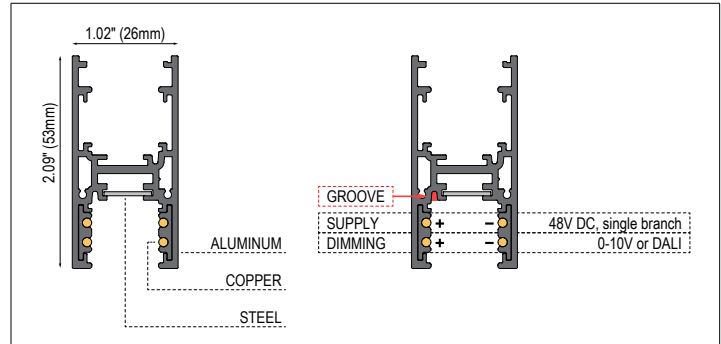
- See following pages for detailed component and ordering information



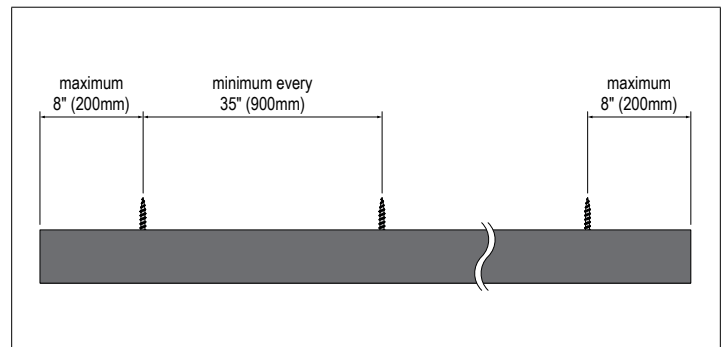
## Pista Track 48V High Surface

### Track Profile Specifications

- For surface ceiling or wall installation
- Profile finish: powder coat or anodisation
- Available lengths: 39.4", 78.7" & 118.1" (can be field cut)
- Power supplies and accessories are ordered separately
- Maximum load = 22lb (10kg) for profile length ≤ 39" (1m)
- Add 11lb (5kg) to the maximum load for each additional profile length of 39" (1m)
- When connecting multiple profiles, the "groove" should always be on the same side
- Weight: 0.8lbs/ft



Materials / Dimensions / Electrical



Mechanical Fixation

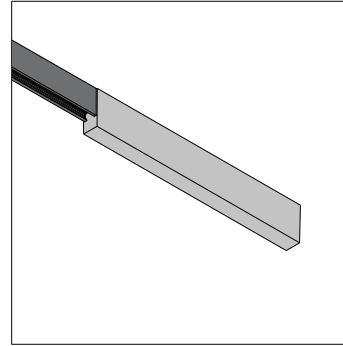
### Ordering Information

Ordering Code	Version	Length	Finish	Quantity (pcs)
PISTA-T48V-PROF-H-39.4-BLS	Track Profile	39.4"	Black Structure	
PISTA-T48V-PROF-H-39.4-WHS	Track Profile	39.4"	White Structure	
PISTA-T48V-PROF-H-78.7-BLS	Track Profile	78.7"	Black Structure	
PISTA-T48V-PROF-H-78.7-WHS	Track Profile	78.7"	White Structure	
PISTA-T48V-PROF-H-78.7-BRBA	Track Profile	78.7"	Bronze Anodised	
PISTA-T48V-PROF-H-78.7-CHBA	Track Profile	78.7"	Champagne Anodised	
PISTA-T48V-PROF-H-118.1-BLS	Track Profile	118.1"	Black Structure	
PISTA-T48V-PROF-H-118.1-WHS	Track Profile	118.1"	White Structure	
PISTA-T48V-PROF-H-118.1-BRBA	Track Profile	118.1"	Bronze Anodised	
PISTA-T48V-PROF-H-118.1-CHBA	Track Profile	118.1"	Champagne Anodised	

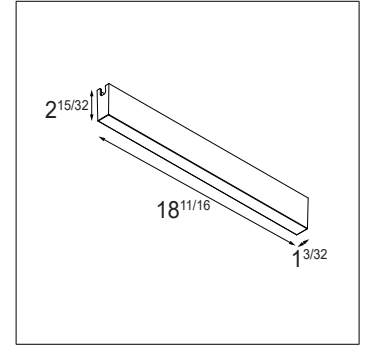
### Power Supply Specifications - Surface Mounted Drivers

#### Surface Mounted Power Supply

- Class 2 constant voltage power supply
- Included: plaster finish plate for installation with a 4"x4" octagonal junction box
- Must be combined with Power Feed (specify on page 6)
- Can optionally be combined with Backplate to cover the junction box
- For surface mount use only
- Box material: cast aluminum
- Box finish: powder coat
- Maximum load: 90% of rated power
- Power factor: > 0.9
- Dry locations only
- Weight: 2.2lbs



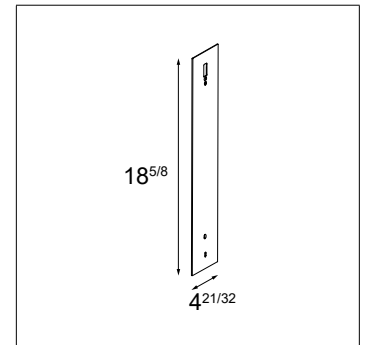
Track Profile + Surface Mounted Power Supply



Surface Mounted Power Supply

#### Backplate for Surface Mounted Power Supply

- Optional accessory for Surface mounted Power Supply
- Backplate covers a 4"x4" octagonal or 3"x2" junction box
- Material: stainless steel
- Finish: powder coat
- Thickness: 0.08"
- Weight: 2.0lbs



Backplate

### Electrical Specifications & Ordering Information

Ordering Code	Input	Output	Finish	Quantity (pcs)
PISTA-T48V-SMLEDPWRSUPPLY-40W-S-DY-BLS	120-277VAC - 50/60Hz	48VDC - 40W	Black Structure	
PISTA-T48V-SMLEDPWRSUPPLY-40W-S-DY-WHS	120-277VAC - 50/60Hz	48VDC - 40W	White Structure	
PISTA-T48V-SMLEDPWRSUPPLY-60W-S-DY-BLS	120-277VAC - 50/60Hz	48VDC - 60W	Black Structure	
PISTA-T48V-SMLEDPWRSUPPLY-60W-S-DY-WHS	120-277VAC - 50/60Hz	48VDC - 60W	White Structure	
PISTA-T48V-SMLEDPWRSUPPLY-96W-S-DY-BLS	120-277VAC - 50/60Hz	48VDC - 96W	Black Structure	
PISTA-T48V-SMLEDPWRSUPPLY-96W-S-DY-WHS	120-277VAC - 50/60Hz	48VDC - 96W	White Structure	

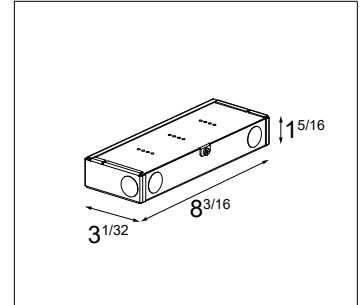
### Accessories Ordering Information

Ordering Code	Version	Finish	Quantity (pcs)
BP-C-32-SMLEDPWRSUPPLY-BLS	Backplate for 3"x2" junction box	Black Structure	
BP-C-32-SMLEDPWRSUPPLY-WHS	Backplate for 3"x2" junction box	White Structure	
BP-C-44-SMLEDPWRSUPPLY-BLS	Backplate for 4"x4" octagonal junction box	Black Structure	
BP-C-44-SMLEDPWRSUPPLY-WHS	Backplate for 4"x4" octagonal junction box	White Structure	

## Pista Track 48V High Surface

### Power Supply Specifications - Remote Drivers

- Class 2 constant voltage power supply
- Must be combined with Power Feed (specify at the bottom of the page)
- For cabinet and surface mount use only
- 4 mounting holes for surface mounting
- 4 knockout holes for line voltage wiring (input)
- 4 knockout holes for low voltage wiring (output)
- May be placed up to 50ft away from track using 16AWG wire
- Maximum load: 90% of rated power
- Power factor: > 0.9
- Dry locations only
- Weight: 1.4lbs



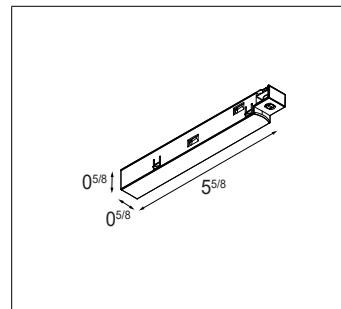
Remote Power Supply

### Electrical Specifications & Ordering Information

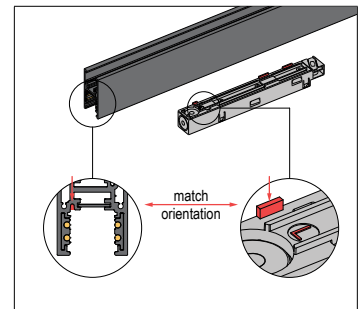
Ordering Code	Input	Output	Finish	Quantity (pcs)
PISTA-T48V-LEDPWRSUPPLY-60W-DY	120-277VAC - 50/60Hz	48VDC - 60W	n/a	
PISTA-T48V-LEDPWRSUPPLY-96W-DY	120-277VAC - 50/60Hz	48VDC - 96W	n/a	

### Track Accessories Specifications - Power Feed Connectors

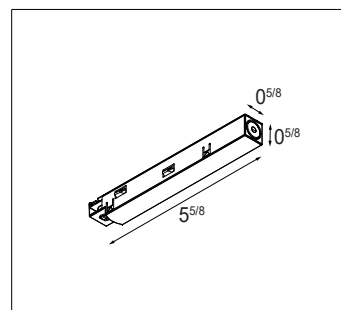
- Used to supply power to the track
- "Groove" side is the difference between Power Feed Left & Right
- Left or Right does not matter if in the middle of the track
- For use with 16-18AWG wire
- Weight: 0.1lbs



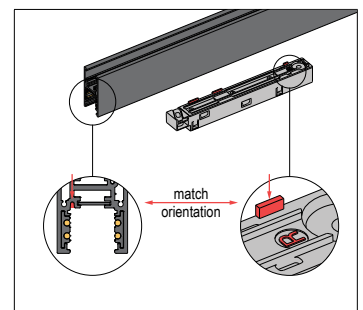
Power Feed Left



Power Feed Left - Groove Orientation



Power Feed Right



Power Feed Right - Groove Orientation

### Ordering Information

Ordering Code	Version	Finish	Quantity (pcs)
PISTA-T48V-PFLEFT-DY-BLS	Power Feed Left	Black	
PISTA-T48V-PFLEFT-DY-WHS	Power Feed Left	White	
PISTA-T48V-PFRIGHT-DY-BLS	Power Feed Right	Black	
PISTA-T48V-PFRIGHT-DY-WHS	Power Feed Right	White	

**Track Accessories Specifications - Track Connectors**

**180° Connection**

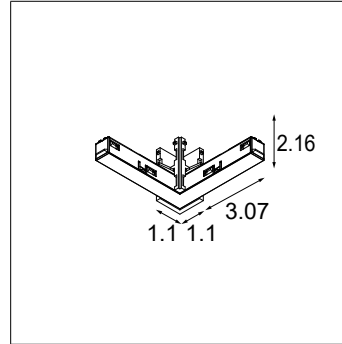
- Connects 2 tracks in the same direction (in the same plane)
- Contains mechanical connection and adapter for electrical continuity
- Can not be used to supply power to the track
- Weight: 0.1lbs

**90° Connection Inside**

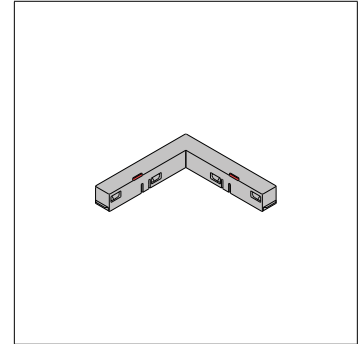
- Connects 2 tracks at a 90° angle (in the same plane)
- Contains mechanical connection and adapter for electrical continuity
- "Groove" is on the inside of the connection
- Can not be used to supply power to the track
- Weight: 0.2lbs

**90° Connection Outside**

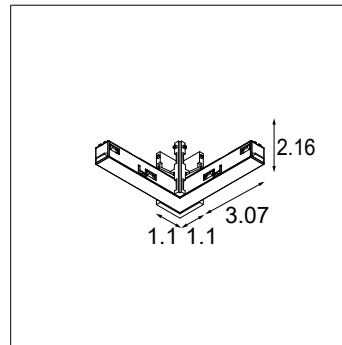
- Connects 2 tracks at a 90° angle (in the same plane)
- Contains mechanical connection and adapter for electrical continuity
- "Groove" is on the outside of the connection
- Can not be used to supply power to the track
- Weight: 0.2lbs



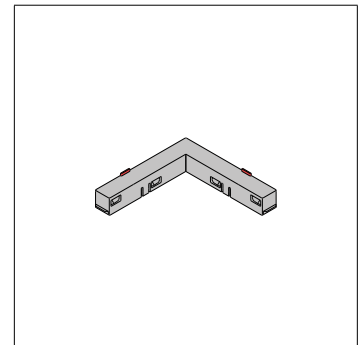
90° Connection Inside



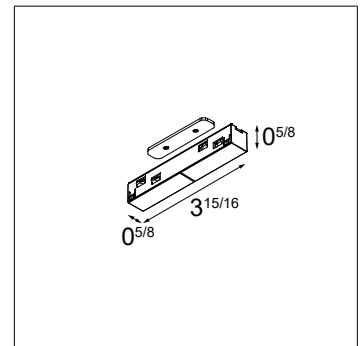
90° Connection Inside - Groove Orientation



90° Connection Outside



90° Connection Outside - Groove Orientation



180° Connection

**Ordering Information**

Ordering Code	Version	Finish	Quantity (pcs)
PISTA-T48V-CONN180-R-DY-BLS	180° Connection	Black	
PISTA-T48V-CONN180-R-DY-WHS	180° Connection	White	
PISTA-T48V-CONN90IN-H-DY-BLS	90° Connection Inside	Black	
PISTA-T48V-CONN90IN-H-DY-WHS	90° Connection Inside	White	
PISTA-T48V-CONN90OUT-H-DY-BLS	90° Connection Outside	Black	
PISTA-T48V-CONN90OUT-H-DY-WHS	90° Connection Outside	White	

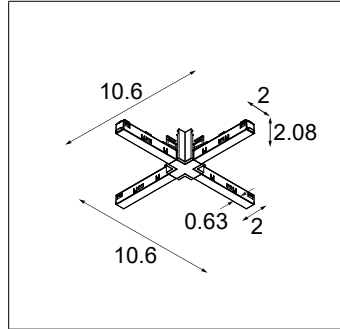
**Track Accessories Specifications - Track Connectors (X / T)**

**X Connection**

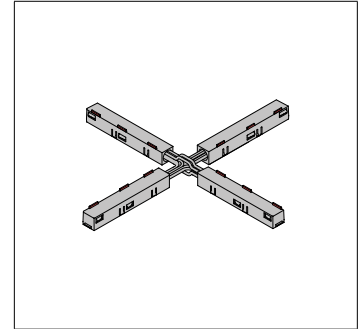
- Connects 4 tracks at 90° angles (in the same plane)
- Contains mechanical connection and adapters for electrical continuity
- Can not be used to supply power to the track
- Weight: 0.4lbs

**T Connection**

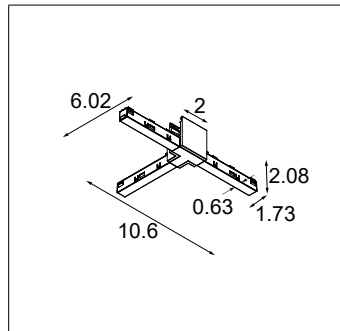
- Connects 3 tracks (in the same plane)
- 2 tracks are connected in the same direction and 1 track at a 90° angle
- "Groove" side is the difference between T Connection Left & Right
- Contains mechanical connection and adapters for electrical continuity
- Can not be used to supply power to the track
- Weight: 0.3lbs



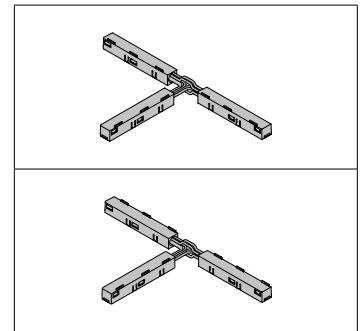
X Connection



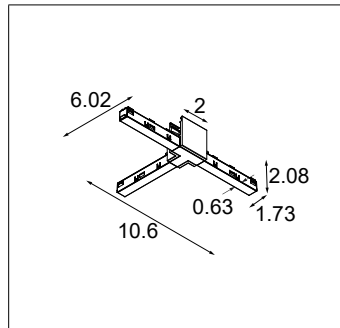
X Connection - Groove orientation



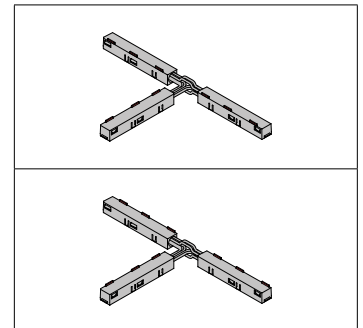
T Connection Left



T Connection Left - Groove orientation possibilities



T Connection Right



T Connection Right - Groove orientation possibilities

**Accessories Ordering Information**

Ordering Code	Version	Finish	Quantity (pcs)
PISTA-T48V-CONN-X-H-BLS	X Connection	Black	
PISTA-T48V-CONN-X-H-WHS	X Connection	White	
PISTA-T48V-CONNT-H-LEFT-BLS	T Connection Left	Black	
PISTA-T48V-CONNT-H-LEFT-WHS	T Connection Left	White	
PISTA-T48V-CONNT-H-RIGHT-BLS	T Connection Right	Black	
PISTA-T48V-CONNT-H-RIGHT-WHS	T Connection Right	White	



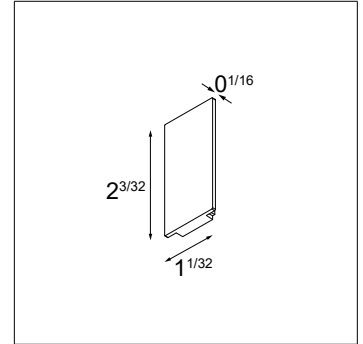
**Track Accessories Specifications - Finishing**

**Endplate**

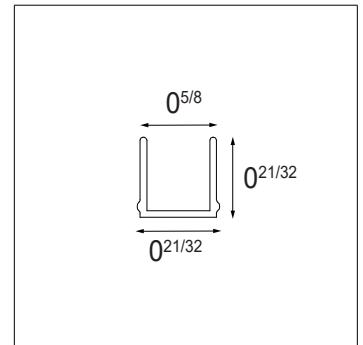
- Contains 2 endplates
- Non-conductive
- Weight: 0.04lbs

**Finishing Cover**

- Optional
- Can be field cut
- Non-conductive
- Weight: 0.2lbs (39.4" version), 0.4lbs (78.7" version)



Endplate



Finishing Cover

**Ordering Information**

Ordering Code	Version	Finish	Quantity (pcs)
PISTA-T48V-ENDPLATE-UD-DY-BLS	Endplate	Black	
PISTA-T48V-ENDPLATE-UD-DY-WHS	Endplate	White	
PISTA-T48V-ENDPLATE-UD-DY-BR	Endplate	Bronze	
PISTA-T48V-ENDPLATE-UD-DY-CH	Endplate	Champagne	
PISTA-T48V-COVER-39.4-DY-BLS	Finishing Cover, Length: 39.4"	Black	
PISTA-T48V-COVER-39.4-DY-WHS	Finishing Cover, Length: 39.4"	White	
PISTA-T48V-COVER-78.7-DY-BLS	Finishing Cover, Length: 78.7"	Black	
PISTA-T48V-COVER-78.7-DY-WHS	Finishing Cover, Length: 78.7"	White	

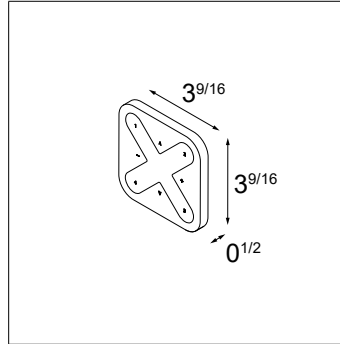
### Control Accessories Specifications - Casambi Wireless Control

#### Casambi Dim Module

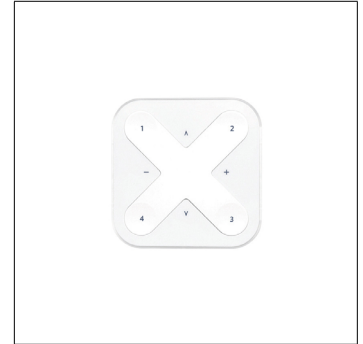
- Utilizes Bluetooth Low Energy Wireless Mesh (no control wires required)
- For individual/discrete fixture control (requires fixtures to be DALI dimmable)
- Connect up to 64 DALI track 48V fixtures to one dim module
- Not to be connected to an existing DALI network
- Only use as independent system
- Contact customer service for the latest configuration & setup documentation
- Weight: 0.1lbs

#### Casambi Wireless Switch

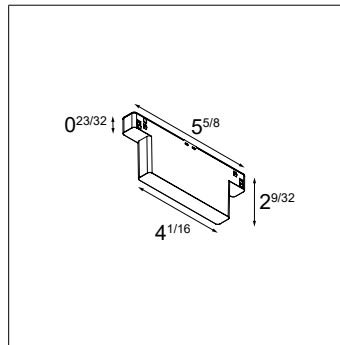
- Range: up to 164ft in open air
- Weight: 0.2lbs



Casambi Wireless Switch



Casambi Wireless Switch



Casambi Dim Module



Casambi Dim Module

### Ordering Information

Ordering Code	Version	Finish	Quantity (pcs)
PISTA-T48V-CASAMBI-DIM-BLS	Casambi Dim Module	Black	
PISTA-T48V-CASAMBI-DIM-WHS	Casambi Dim Module	White	
PISTA-T48V-CASAMBI-SWITCH-WH	Casambi Wireless Switch	White	

### Listings and Certifications

- Listed: cULus
- Dry locations



### Warranty

- Visit <https://www.supermodular.com/en-us/warranty>