



SLD50 HIGH

INSTALLATION INSTRUCTIONS

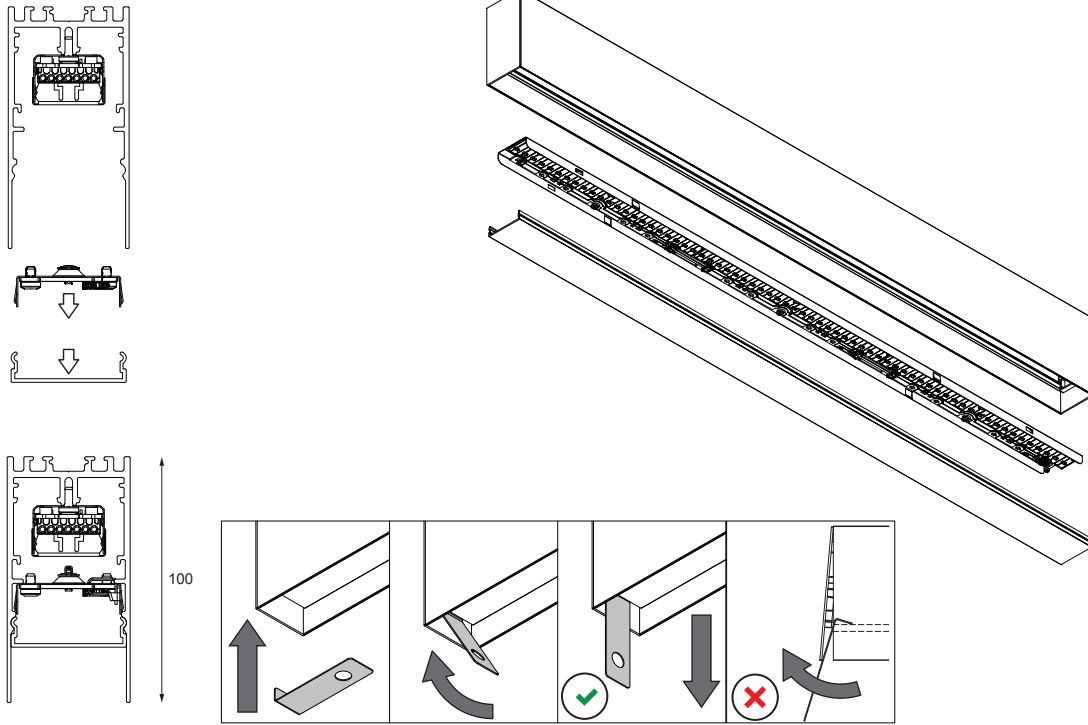


MODULAR
LIGHTING —
INSTRUMENTS

SLD50 high general installation manual

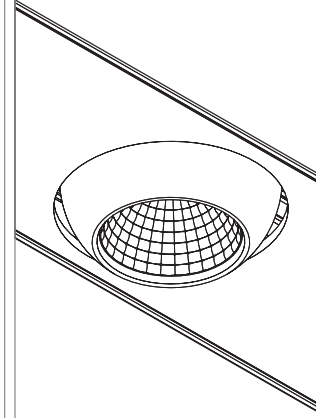
93590005_93590009_93590032_93590041_93590018_93590006

OPEN PROFILE



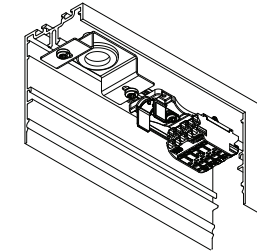
EYEBALL

ONLY TO BE INSTALLED OUTSIDE ARM'S REACH

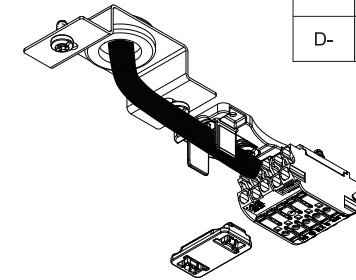


DO NOT TOUCH REFLECTOR

CONNECTION



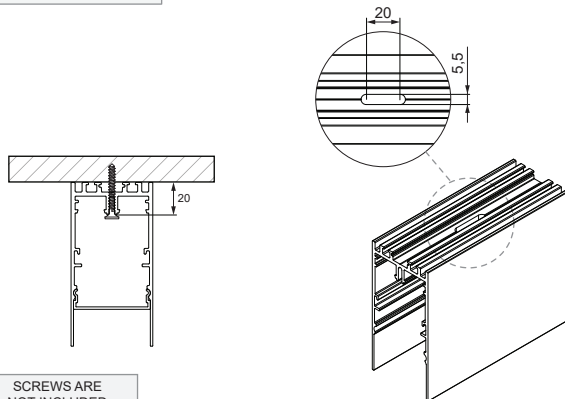
N	BLUE
L	BROWN
⊕	GREEN YELLOW
D+	RED
D-	BLACK



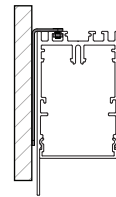
9mm
0.5 - 2.5mm²
20 - 14 AWG

MOUNTING OPTIONS

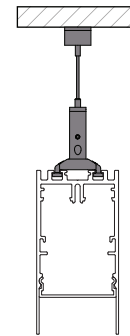
SURFACE



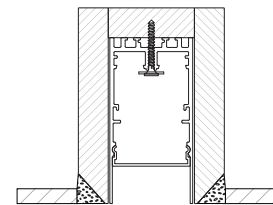
WALL*



SUSPENDED*



RECESSED (TRIMLESS)*



* SEE INSTRUCTION MANUALS



On site conditions (e.g. heat, humidity, ...) can lead to expansion of the diffuser. Therefore onsite shortening of the diffuser can be required



Replace protective shield when broken. The luminaire shall only be used complete with its protective shield.
Reference number: SLD50 Poly In (1012155) - SLD50 Prismatic (1012157) - SLD50 Poly Out (1012157)



LIGHT SOURCE - DO NOT TOUCH LED

Touching the LED can result in permanent damage of the light source. The light source contained in this luminaire shall only be replaced by the manufacturer or his service agent or a similar qualified person.



PREVENTING ELECTROSTATIC DAMAGE

A discharge of static electricity may damage sensitive components. Therefore do not touch the LED nor the stripped parts of the wires with bare hands. Always be properly insulated by using ESD gloves.



220-230V
50-60Hz

1-10V

PUSH

DALI



IP 20

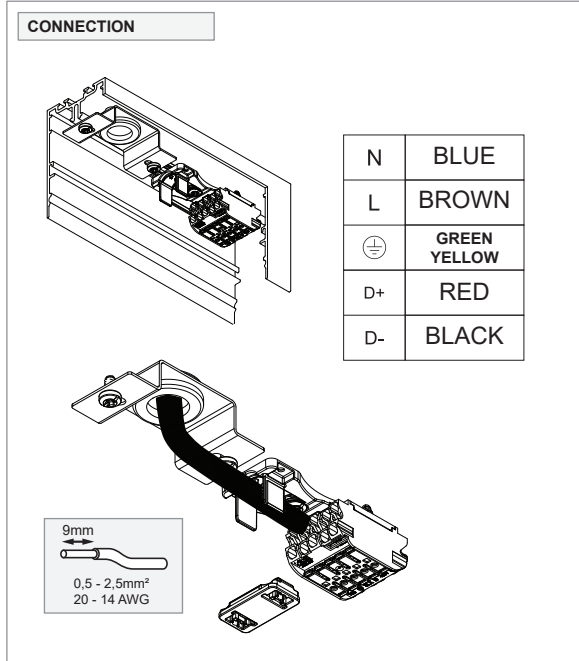
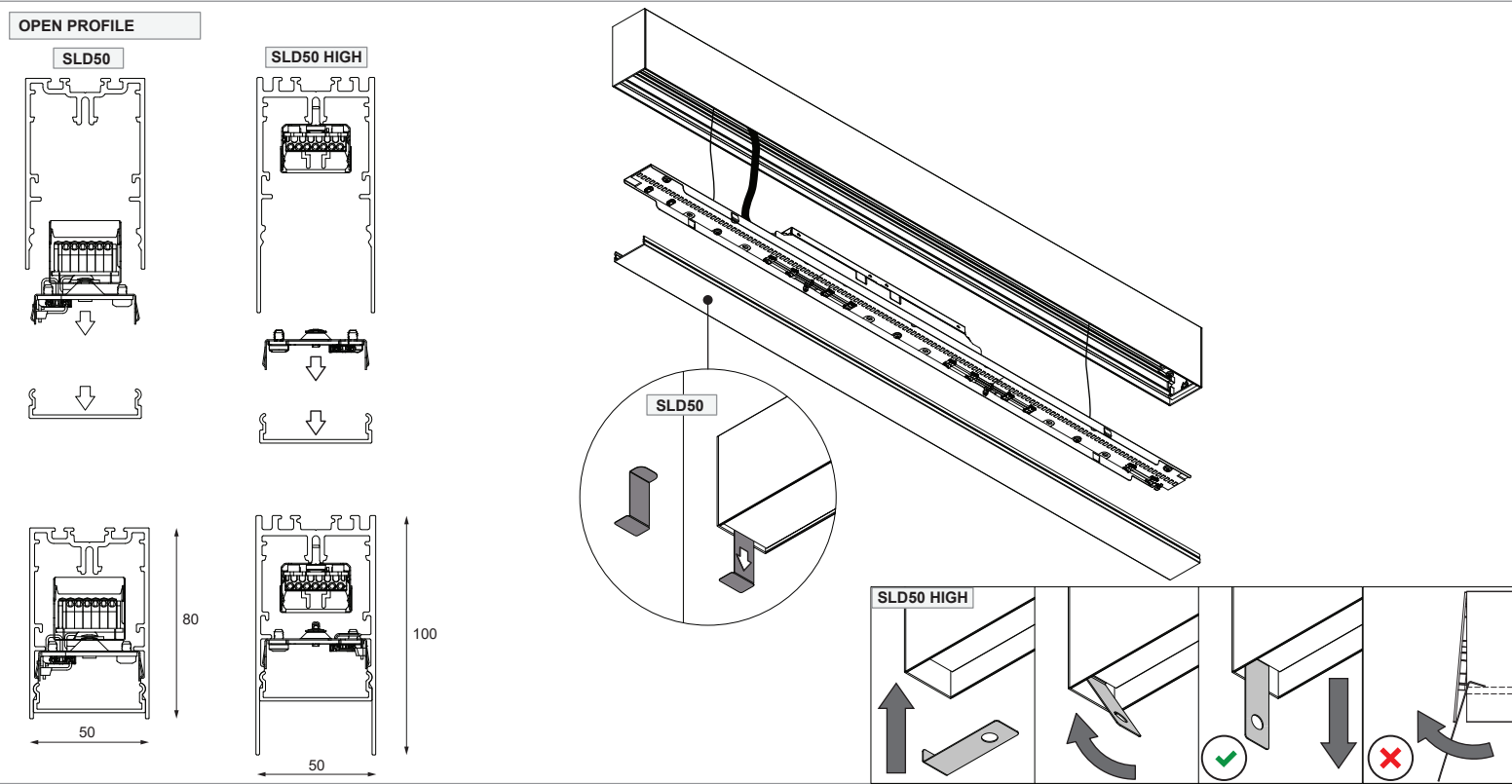


UK CA

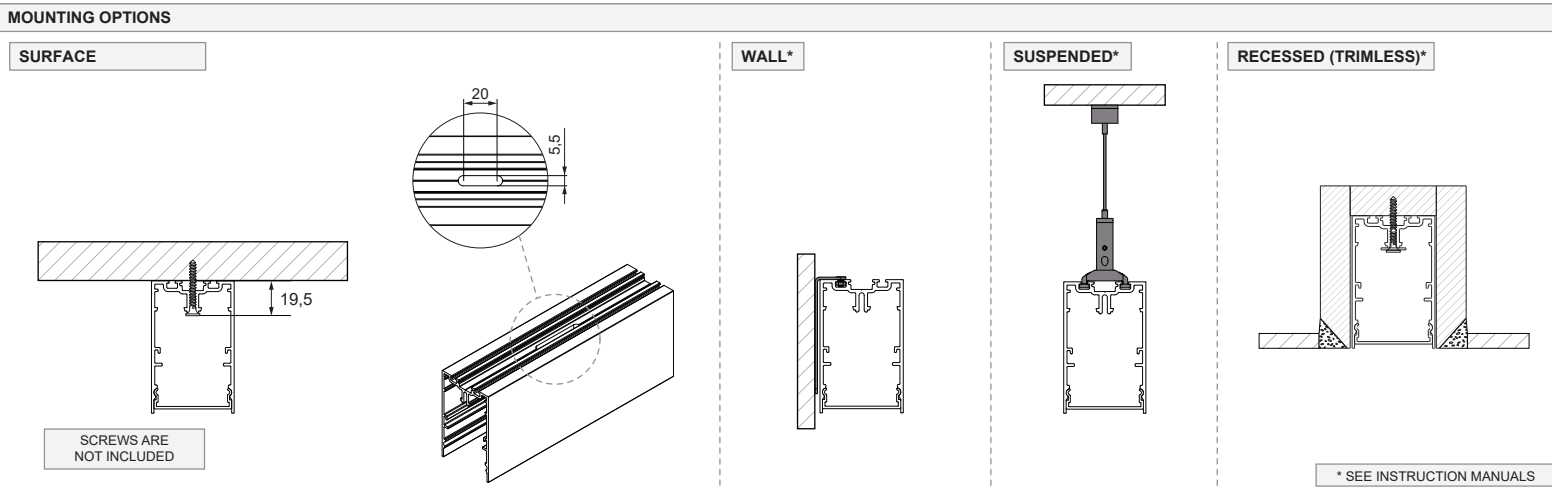
CE

SLD50 (HIGH) LED 2700-6500K Tunable White DALI

98564303_98564304_98564305_98564306 / 93000053 (only UPLIGHT) _93569000 (only UPLIGHT)



DALI tunable white control
 recommended use: DALI2 application controller & input device with support for colour control (Part 209, DT8, Type Tc)
 the function in installations with other devices must be tested for compliance in advance.



max QTY of drivers on MCB

MCB type	B10	B13	B16	C10	C13	C16
number of LED drivers	14	18	22	14	18	22

! On site conditions (e.g. heat, humidity, ...) can lead to expansion of the diffuser. Therefore onsite shortening of the diffuser can be required.

⚠ Replace protective shield when broken. The luminaire shall only be used complete with its protective shield.
 Reference number: SLD50 Poly In (1012155) - SLD50 Prismatic (1012157) - SLD50 Poly Out (1012157)

⚡ **LIGHT SOURCE - DO NOT TOUCH LED**
 Touching the LED can result in permanent damage of the light source. The light source contained in this luminaire shall only be replaced by the manufacturer or his service agent or a similar qualified person.

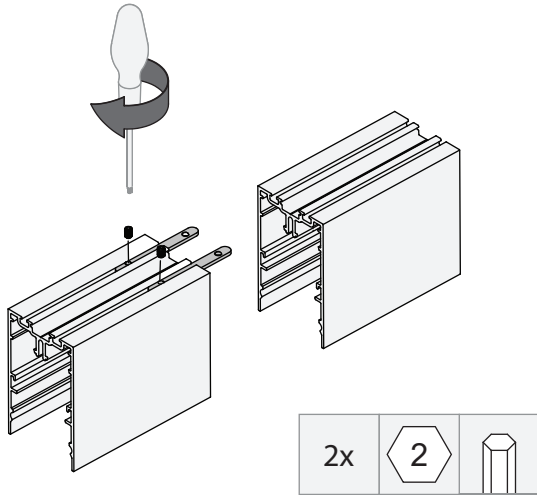
⚡ **PREVENTING ELECTROSTATIC DAMAGE**
 A discharge of static electricity may damage sensitive components. Therefore do not touch the LED nor the stripped parts of the wires with bare hands. Always be properly insulated by using ESD gloves.



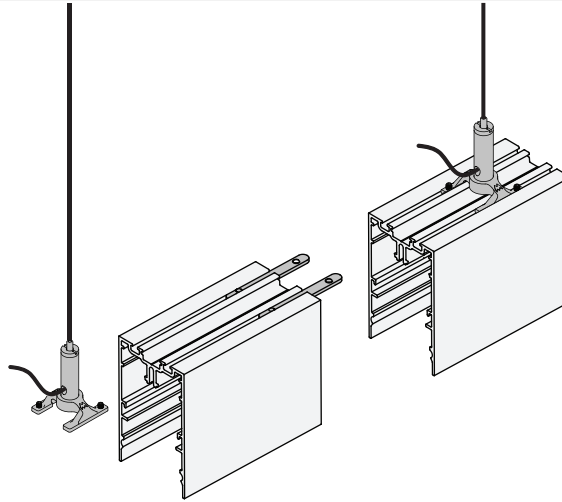
SLD50/SLD50H Connection 180° (Suspended)

93560063_93560065-B1

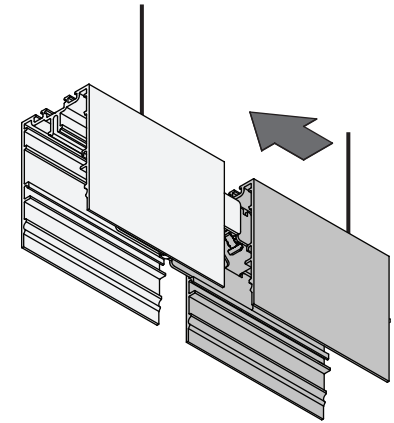
Insert connection plates



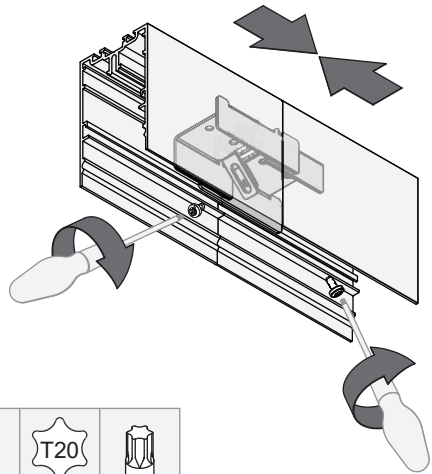
SHOULD BE USED WITH



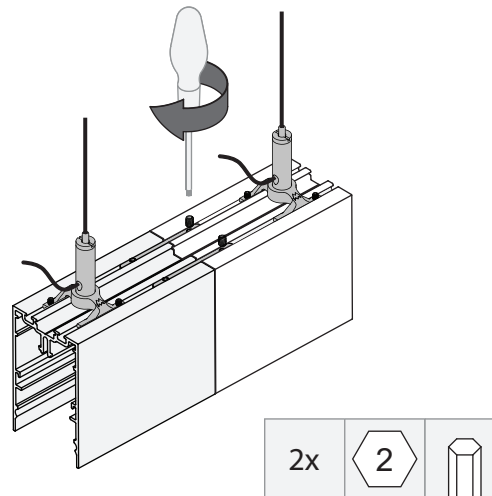
Slide second base profile over the connection plates.



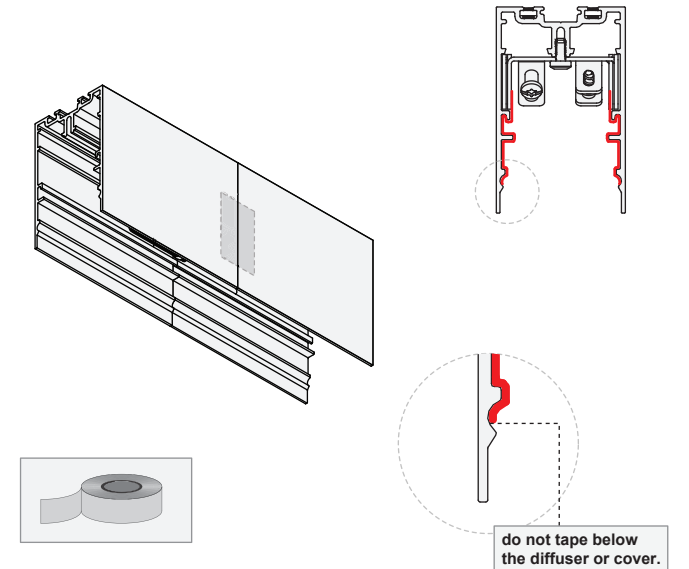
Tighten screws to clamp both profiles together.



Tighten screws of connection plates with the profiles together.



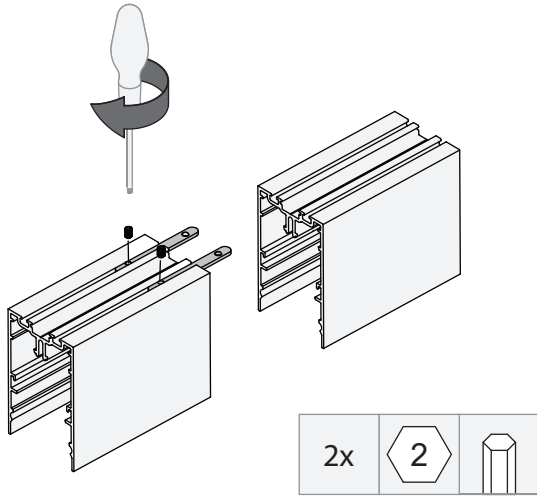
Add tape to prevent lightspill



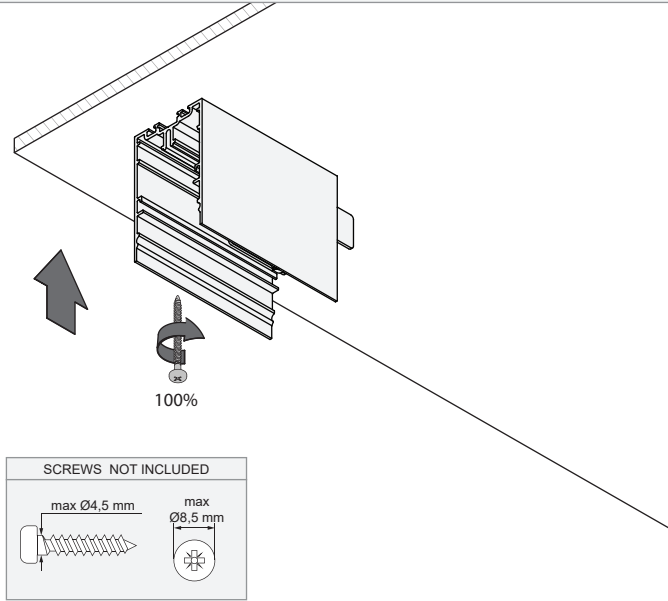
SLD50/SLD50H Connection 180° (Surface)

93560063_93560065-B2

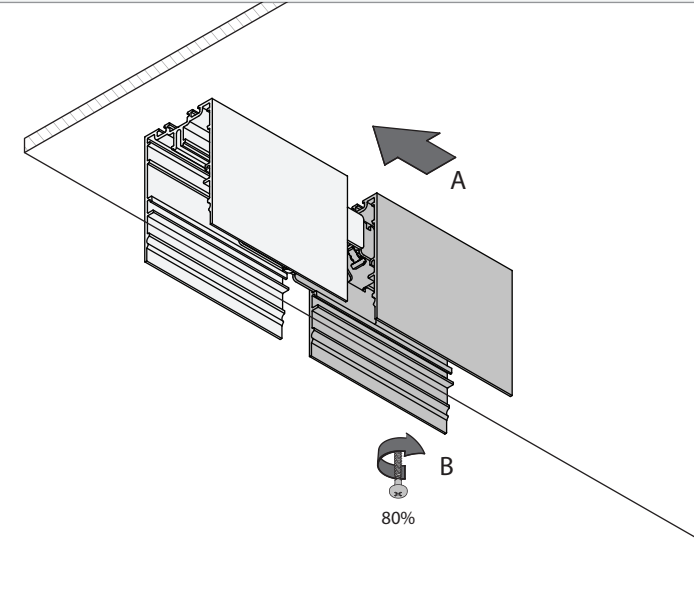
Insert connection plates



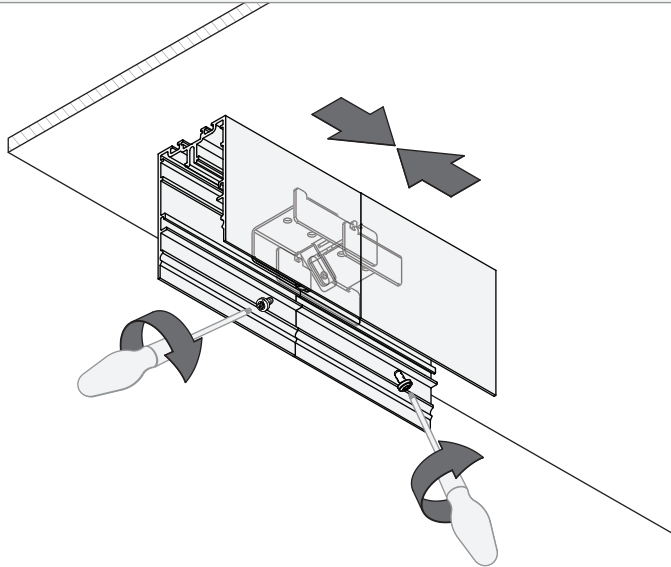
Mount the first base profile.



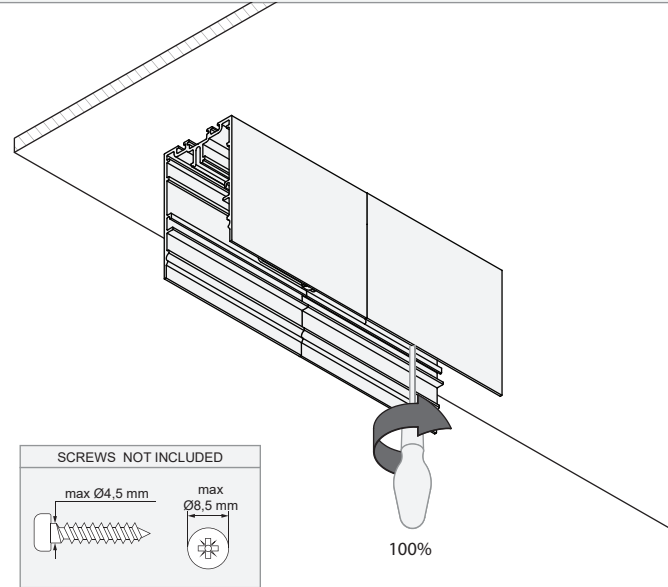
Slide second base profile over the connection plates.



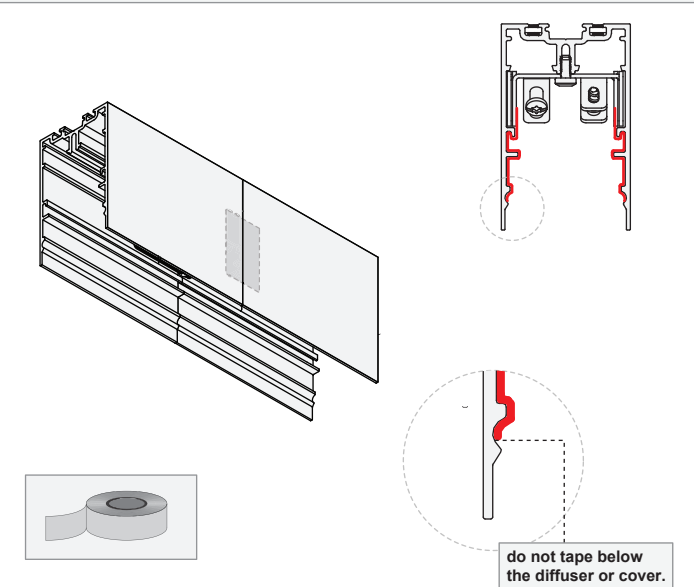
Tighten screws to clamp both profiles together.



Mount the second base profile.

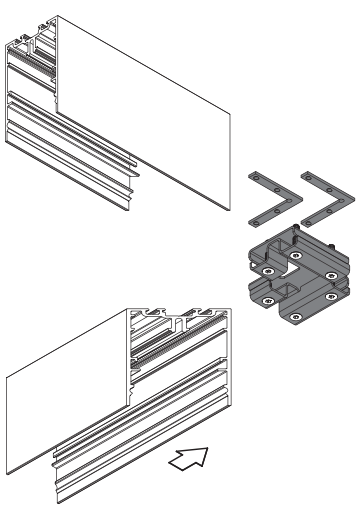
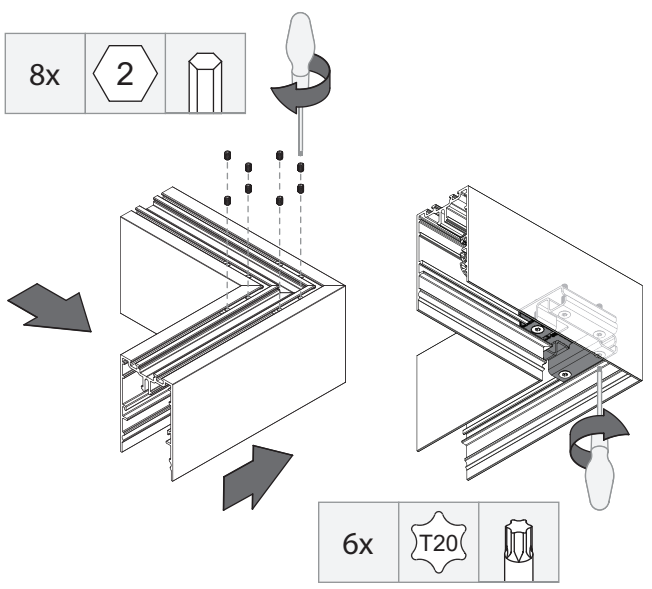
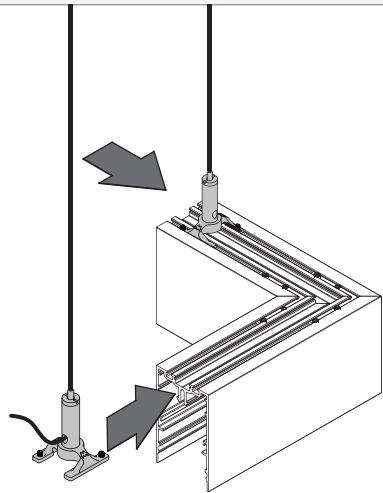


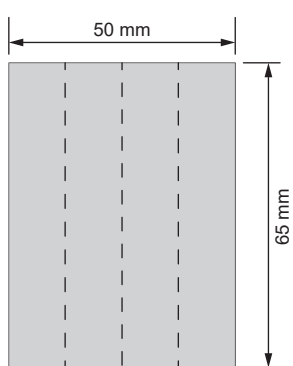

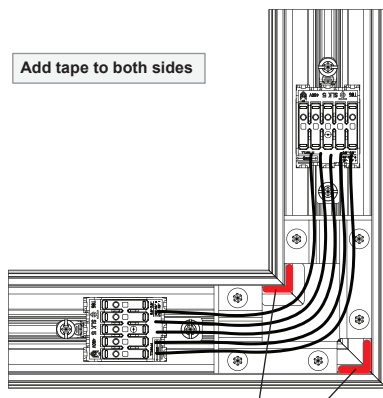
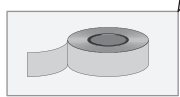
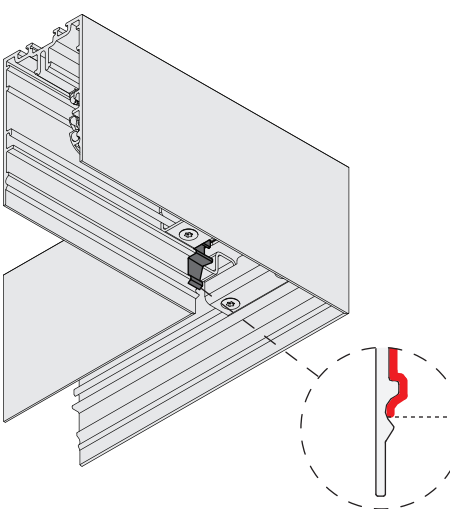
Add tape to prevent lightspill



SLD50/SLD50H Connection 90° (Suspended)

93560053_93560059-B1

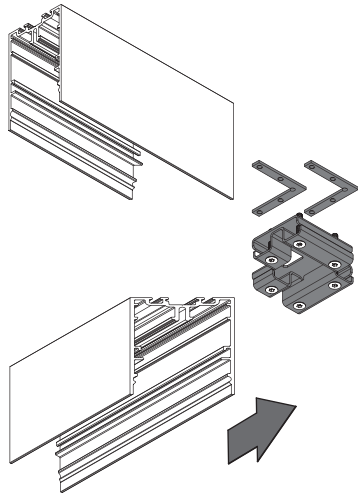
Insert connection plates	Tighten screws to clamp both profiles together.	Should be used with
	 <p>8x</p> <p>6x T20</p>	

Add tape to prevent lightspill.		
 <p>50 mm</p> <p>65 mm</p>  <p>Cut and fold in half</p>	 <p>Add tape to both sides</p> 	 <p>do not tape below the diffuser or cover.</p>

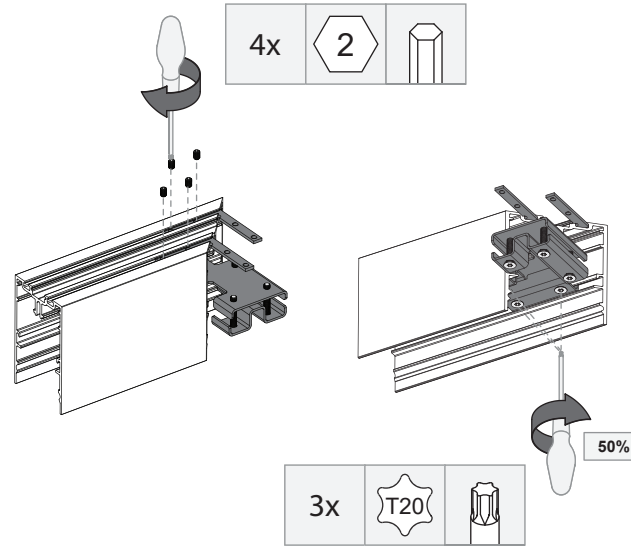
SLD50/SLD50H Connection 90° (Surface)

93560053_93560059-B2

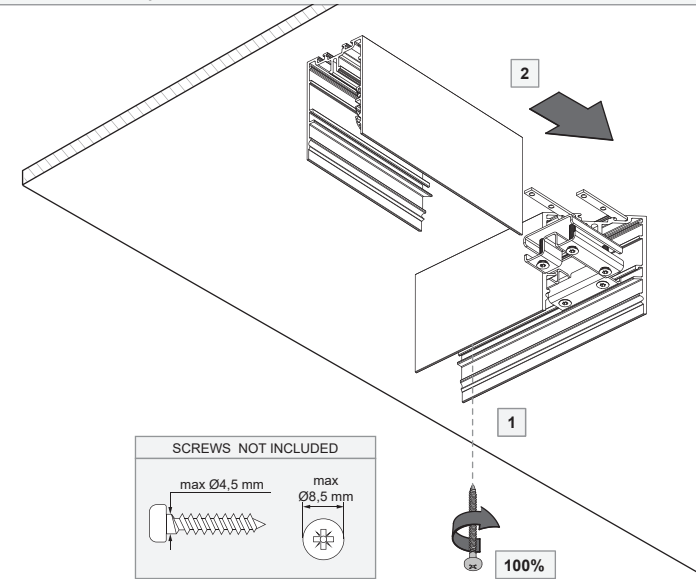
Insert connection plates



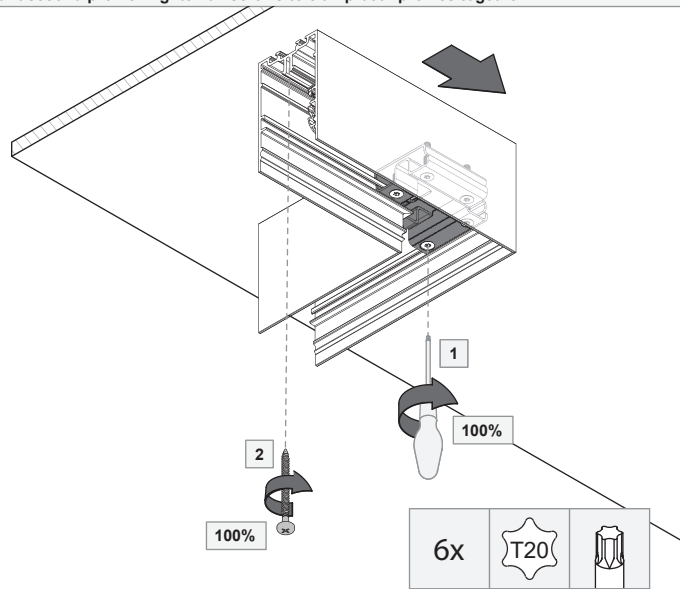
Do not screw tight until after installation of second base profile.



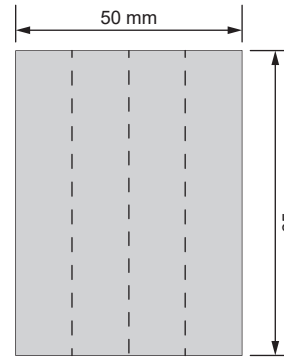
Mount the first base profile



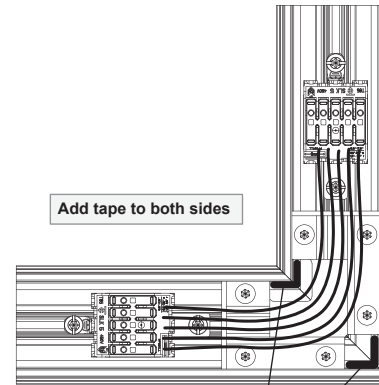
Mount second profile. Tighten all screws to clamp both profiles together.



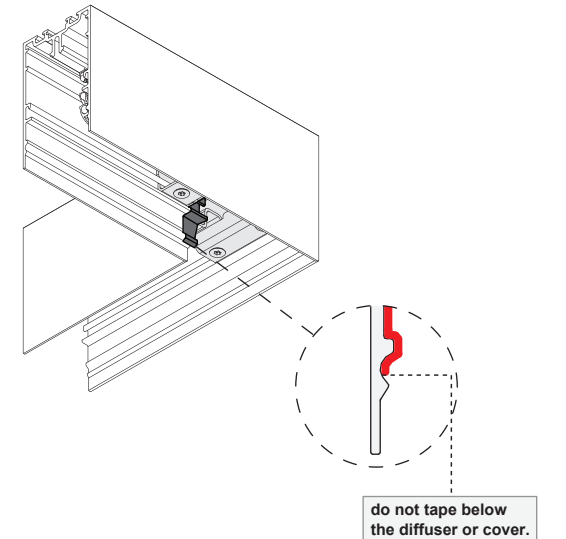
Add tape to prevent lightspill



Cut and fold in half



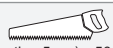
Add tape to both sides



SLD50 high recessed bracket trimless

93590050

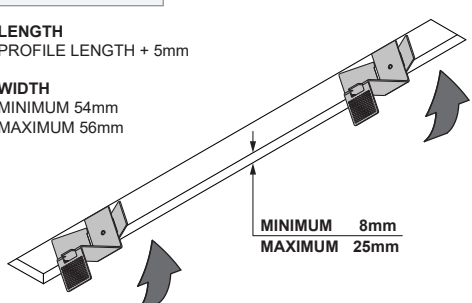
Cut-out size



(Length + 5mm) x 56mm

LENGTH
PROFILE LENGTH + 5mm

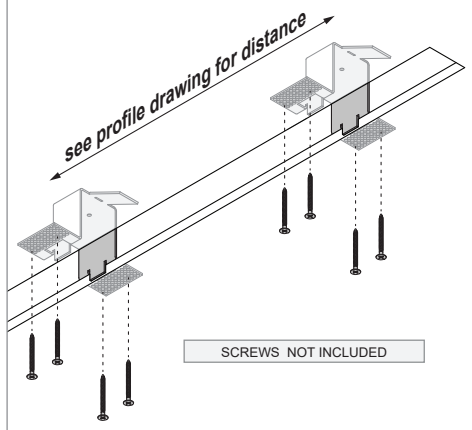
WIDTH
MINIMUM 54mm
MAXIMUM 56mm



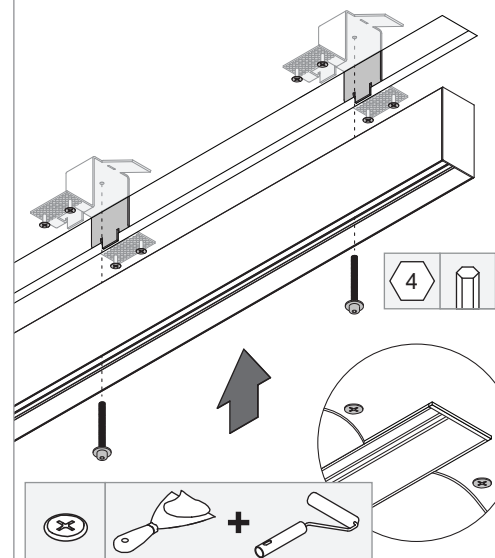
MINIMUM 8mm
MAXIMUM 25mm

PROFILE LENGTH

see profile drawing for distance

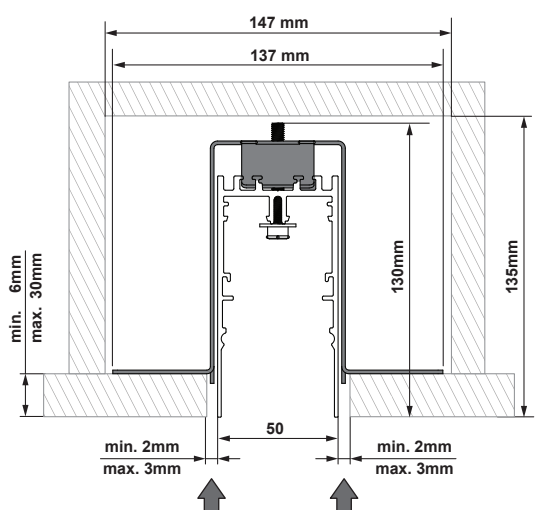


SCREWS NOT INCLUDED



4

Dimensions.

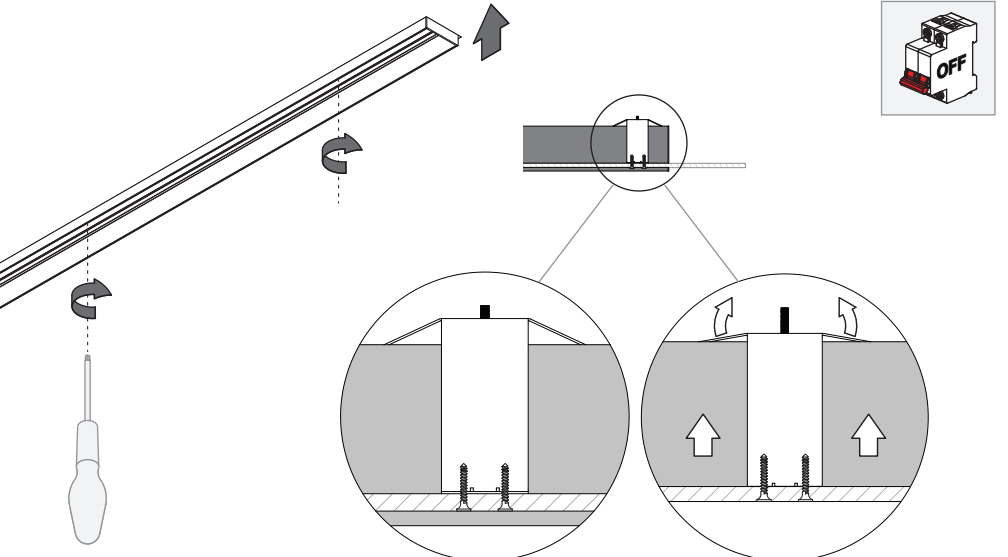
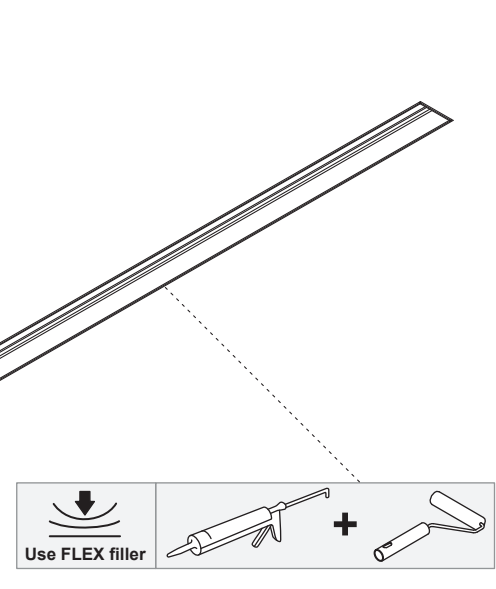


min. 6mm
max. 30mm

min. 2mm
max. 3mm

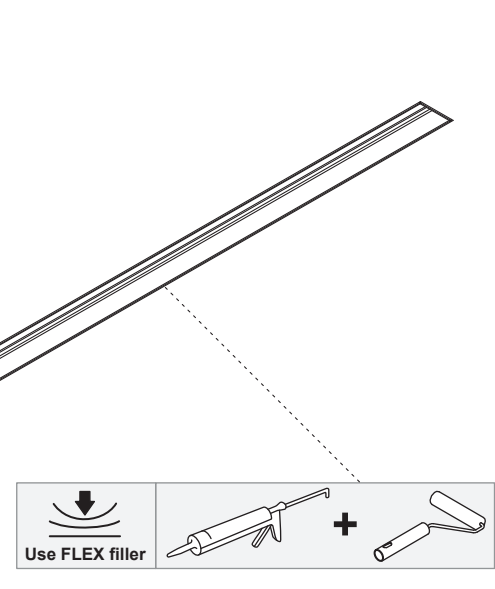
50

min. 2mm
max. 3mm





OFF


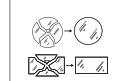
Use FLEX filler




Use FLEX filler



Use FLEX filler





Replace protective shield when broken. The luminaire shall only be used complete with its protective shield.
On site conditions (e.g. heat, humidity, ...) can lead to expansion of the diffusor. Therefore onsite shortening of the diffusor can be required.



LIGHT SOURCE - DO NOT TOUCH LED

Touching the LED can result in permanent damage of the light source. The light source and/or driver contained in this luminaire shall only be replaced by the manufacturer or his service agent or a similar qualified person.



PREVENTING ELECTROSTATIC DAMAGE

A discharge of static electricity may damage sensitive components. Therefore do not touch the LED nor the stripped parts of the wires with bare hands. Always be properly insulated by using ESD gloves.

DRIVERS & ACCESSORIES

For latest version of driver matrix and available accessories check www.supermodular.com or connect with your sales contact.

SLD50 high flange general installation manual

93590105_93590109_93590132_93590141

OPEN PROFILE

100

67

EYEBALL

ONLY TO BE INSTALLED OUTSIDE ARM'S REACH

DO NOT TOUCH REFLECTOR

CONNECTION

N	BLUE
L	BROWN
⊕	GREEN YELLOW
D+	RED
D-	BLACK

9mm

0.5 - 2.5mm²
20 - 14 AWG

RECESSED FLANGE

SEE INSTRUCTION MANUALS

On site conditions (e.g. heat, humidity, ...) can lead to expansion of the diffuser. Therefore onsite shortening of the diffuser can be required

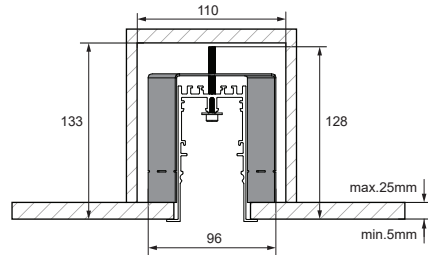
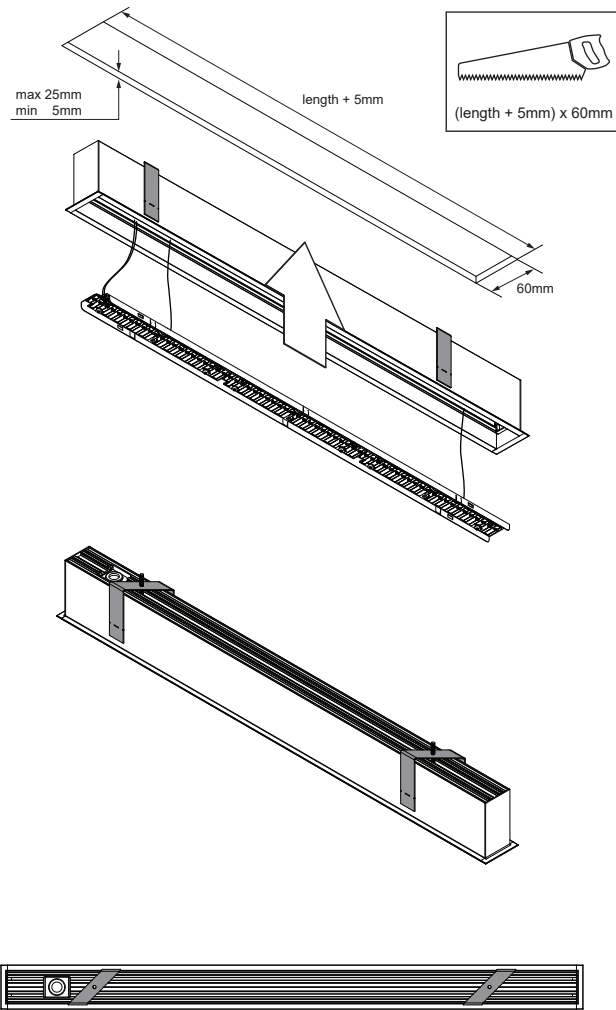
Replace protective shield when broken. The luminaire shall only be used complete with its protective shield.
Reference number: SLD50 Poly In (1012155) - SLD50 Prismatic (1012157) - SLD50 Poly Out (1012157)

LIGHT SOURCE - DO NOT TOUCH LED
Touching the LED can result in permanent damage of the light source. The light source contained in this luminaire shall only be replaced by the manufacturer or his service agent or a similar qualified person.

PREVENTING ELECTROSTATIC DAMAGE
A discharge of static electricity may damage sensitive components. Therefore do not touch the LED nor the stripped parts of the wires with bare hands. Always be properly insulated by using ESD gloves.

SLD50 high recessed bracket

93590051

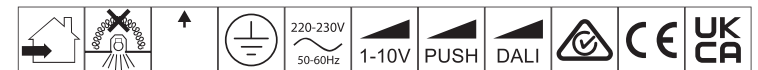
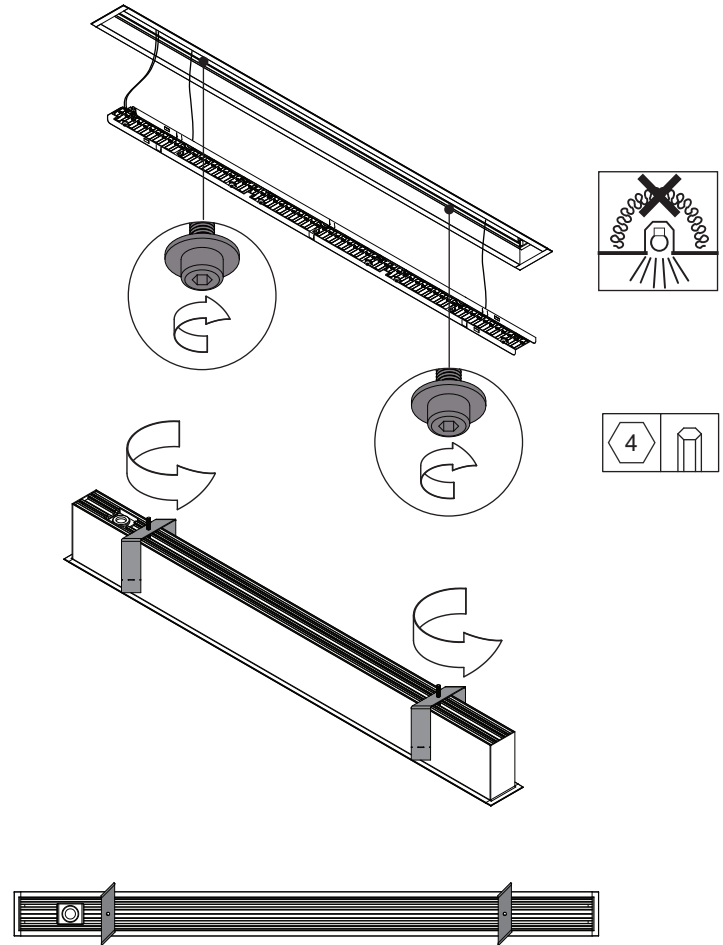


LIGHT SOURCE - DO NOT TOUCH LED

Touching the LED can result in permanent damage of the light source. The light source contained in this luminaire shall only be replaced by the manufacturer or his service agent or a similar qualified person.

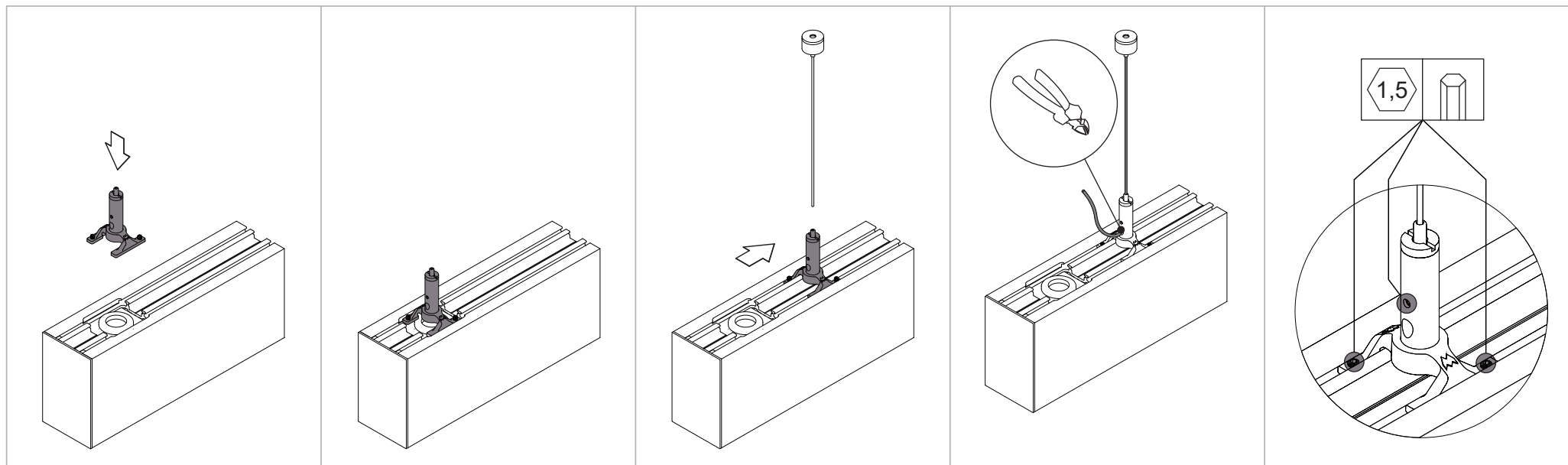
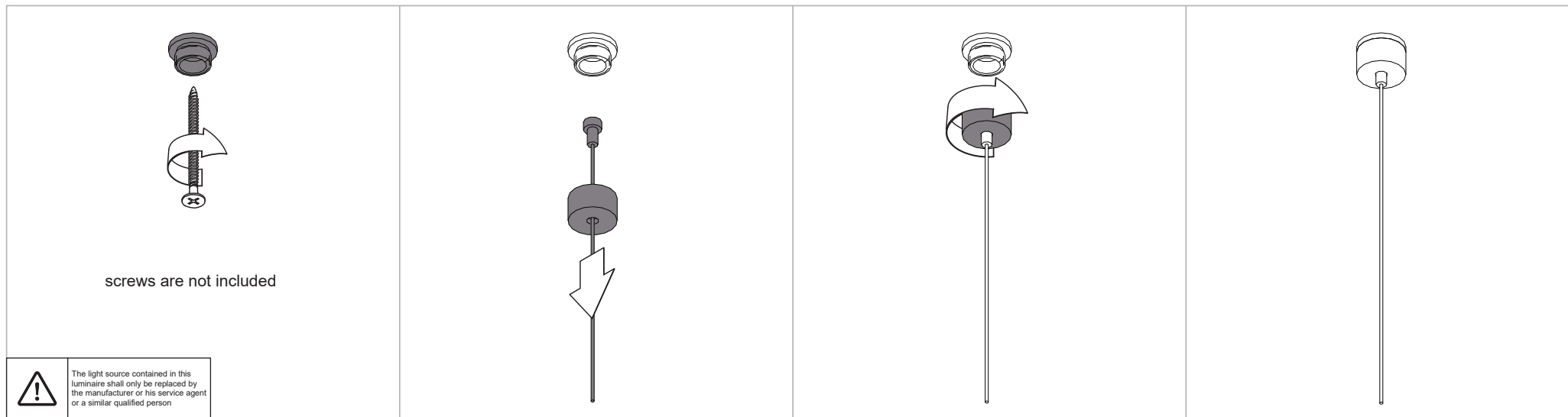


On site conditions (e.g. heat, humidity, ...) can lead to expansion of the diffuser. Therefore onsite shortening of the diffuser can be required



SLD50 suspension

93560805_93560809_93560832



SLD50 lateral wall brack

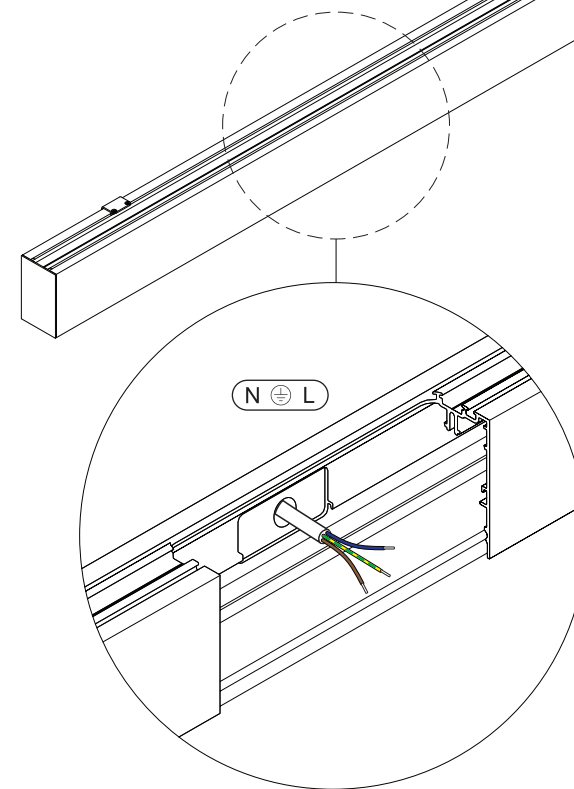
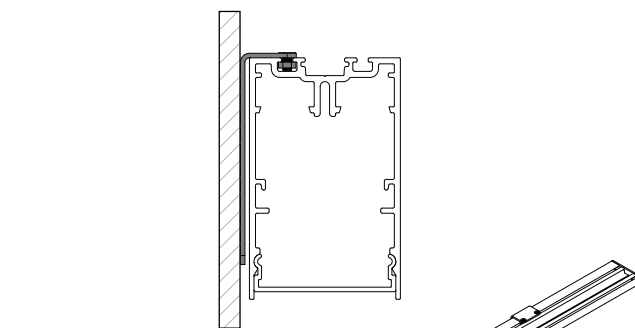
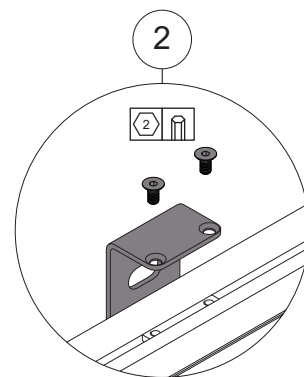
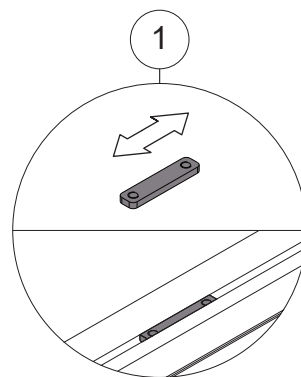
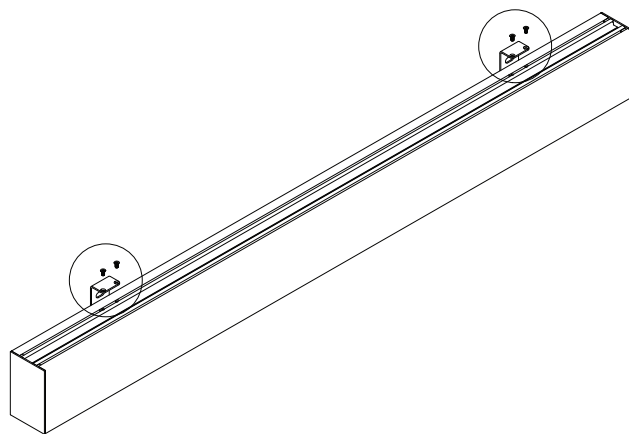
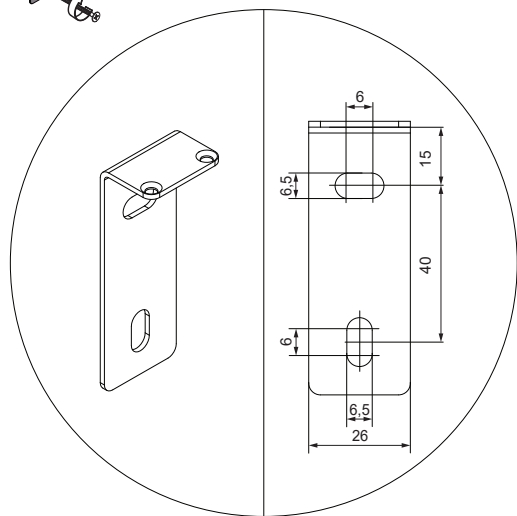
93560705_93560709_93560732



The light source contained in this luminaire shall only be replaced by the manufacturer or his service agent or a similar qualified person

screws are not included

N ⊕ L



Casambi Profile Dim Module Dali

CBU-ASD 98564307_98564308

ICONS IN APP

98564307



Modular TW

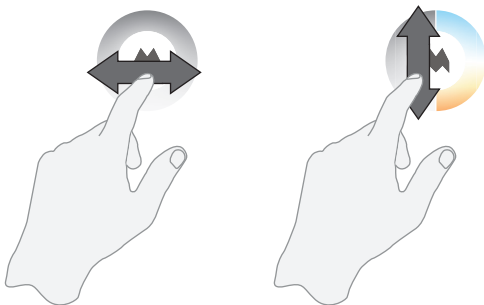
98564308



Modular DIM

slide sideways over icon of the unit or group you want to control to change light intensity
additional for 98564307: slide vertical to change CCT level

or longtap on the icon to reveal slider(s)



DESCRIPTION

CBU-ASD Dim Module (= 98564308) is a wireless control unit for LED drivers with DALI dimming interface. CBU-ASD Tuneable White Module (=98564307) is intended for use with LED drivers with Dali DT8 supporting TC color model.

CBU-ASD is controlled wirelessly with Casambi smartphone and tablet applications using Bluetooth 4.0 protocol. The Casambi app can be downloaded free of charge from Apple App Store and Google Play Store.

Devices form automatically a secure wireless mesh network so that a large number of fixtures can be controlled from any point. No external gateway model is needed. No external Dali power supply is needed.

CBU-ASD does not comply with IEC 60929 and therefore **is not designed to be connected to an existing DALI network**. The module can be used only in a closed system, i.e. as a part of a lighting system which is not connected to an external Dali network.

The CBU-ASD control unit will be connected directly to a DALI controllable LED driver. Only one LED driver (DALI driver) is connected to one CBU-ASD. Therefore, what looks like one continuous ledline, can consist of multiple drivers and show as multiple control units in the Casambi App. To control multiple CBU-ASD control units simultaneously, add them to the same network and group those units that you want to control together.

TECHNICAL DATA

Input	
Voltage range:	220-240 VAC
Frequency:	50 Hz
Max. mains current:	0,6 A
Mains Output	
Output relay:	SSR on phase line
Voltage range:	220-240 VAC
Frequency:	50 Hz
DALI Output	
Voltage range:	9-12 VDC
Maximum number of drivers connected:	1 pc
Radio transceiver	
Operating frequencies:	2,400 ... 2,480 Ghz
Maximum output power:	+4 dBm
Mechanical data	
Dimensions:	56,5 x 35,8 x 22,3 mm
Weight:	48 g
Degree of protection:	IP20 (indoor use only)
Protection class:	Built-in Class II

Compatible devices:

iPhone iOS 10 and later, iPad iOS 10 or later, Android 4.4 KitKat or later, devices produced after 2013 with full BT 4.0 support

Disposal Instructions

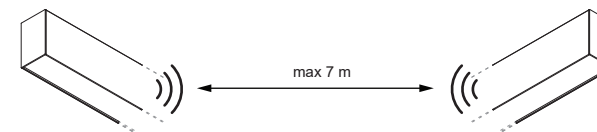
In line with EU Directive 2002/96/EC for waste electrical and electronic equipment (WEEE), this electrical product must not be disposed of as unsorted municipal waste.

Please dispose of this product by returning it to the point of sale or to your local municipal collection point for recycling.

CASAMBI

www.casambi.com

Connect fixture to a Casambi network by using the Casambi App which can be downloaded from iOS App Store or Google Play Store.



Surrounding materials, obstructions (walls, concrete, metal,...) and other wireless signals can have a negative influence on the casambi wireless signal range. Always check on site circumstances for optimal signal quality.



For more information, support and troubleshooting about the Casambi technology please visit:
<https://support.casambi.com/support/solutions>

Advised to use this device in an Evolution network

