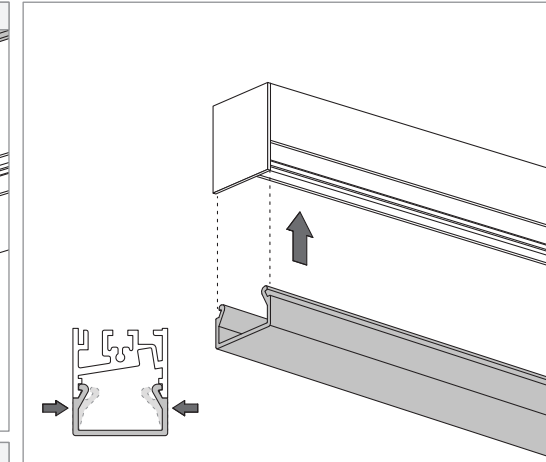
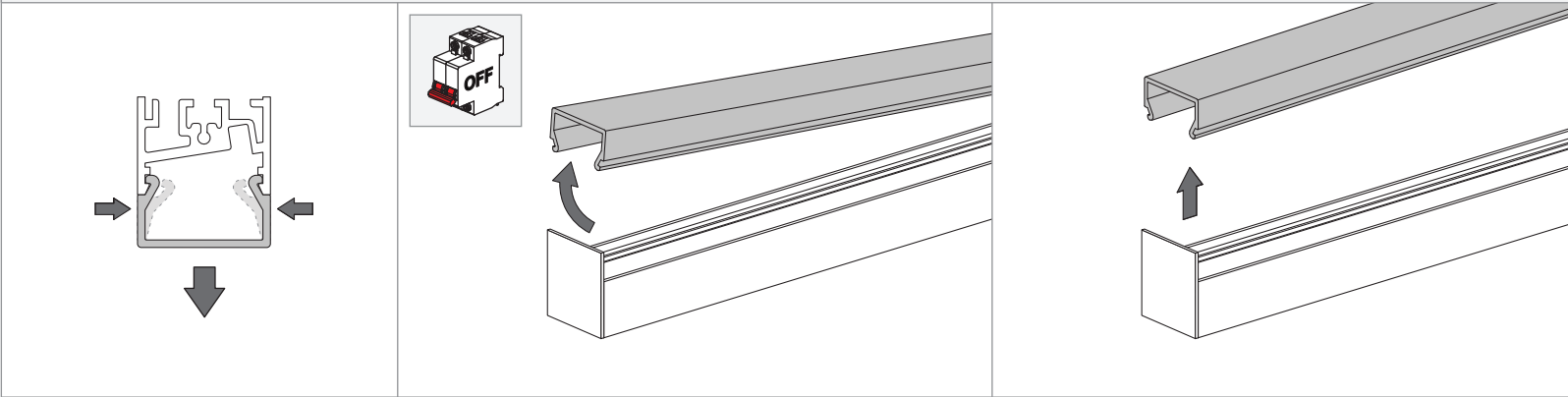


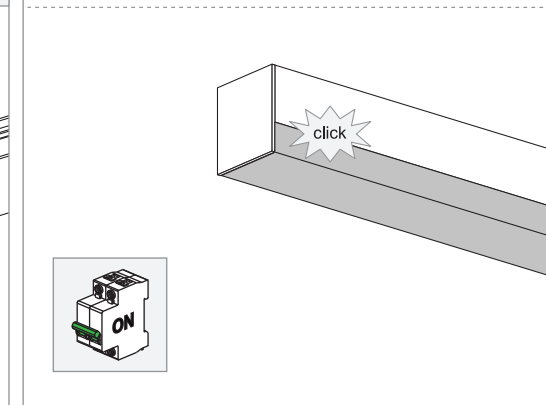
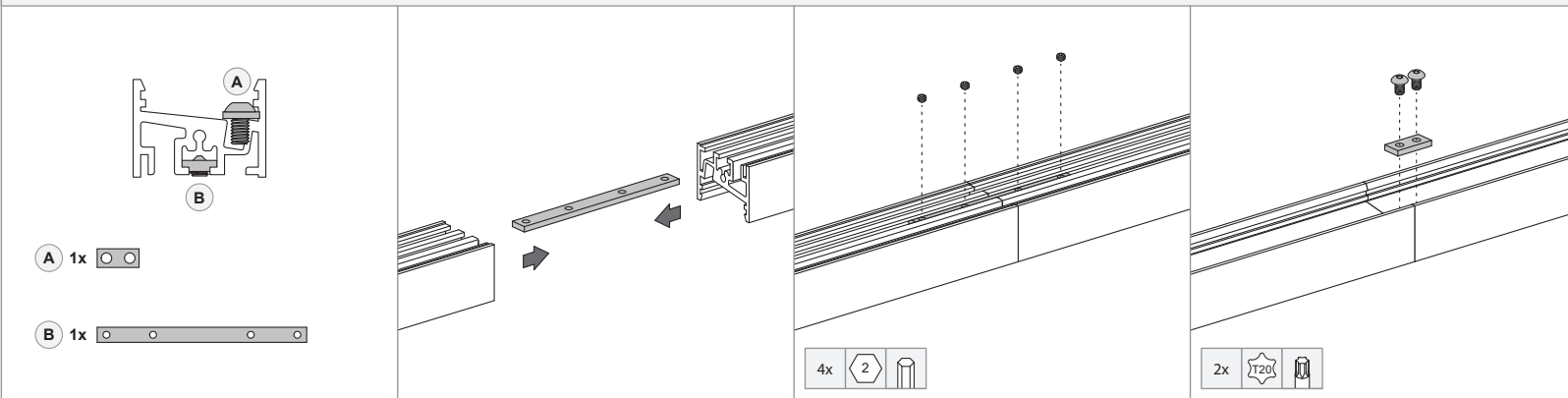
SLD25 connection 180° / 90°

93460050 - 93460060

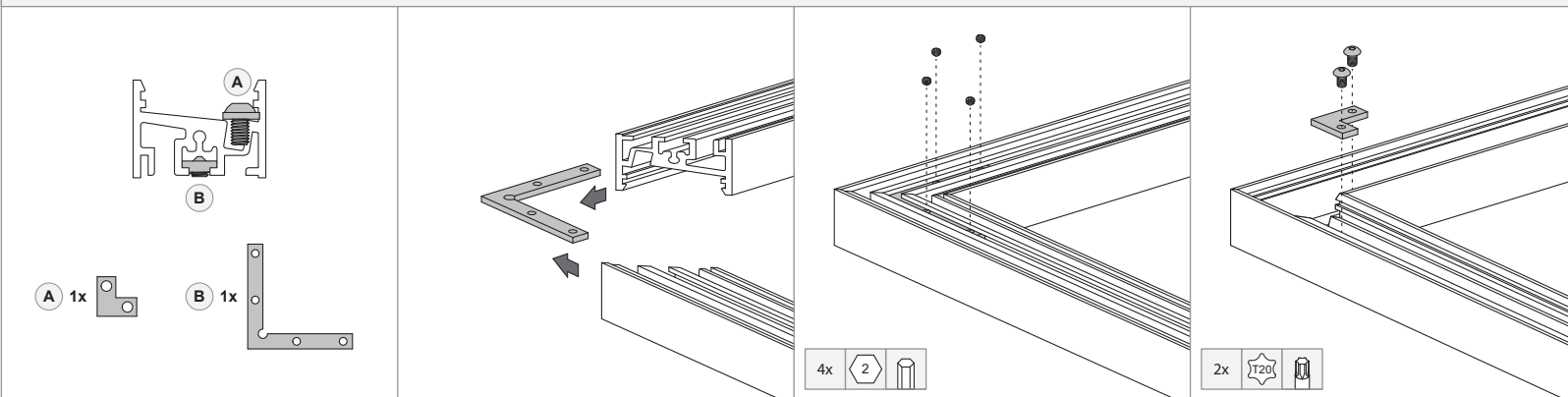
Click the diffuser out of the base profile.



Make the 180° connections.



Make the 90° connections.



	Local conditions (e.g. heat, humidity...) can lead to expansion of the diffuser. Therefore it may be necessary to shorten the diffuser on site.
	Replace protective shield when broken. The luminaire shall only be used complete with its protective shield.
	LIGHT SOURCE - DO NOT TOUCH LED Touching the LED can result in permanent damage of the light source. The light source and/or driver contained in this luminaire shall only be replaced by the manufacturer or his service agent or a similar qualified person.
	PREVENTING ELECTROSTATIC DAMAGE A discharge of static electricity may damage sensitive components. Therefore do not touch the LED nor the stripped parts of the wires with bare hands. Always be properly insulated by using ESD gloves.

