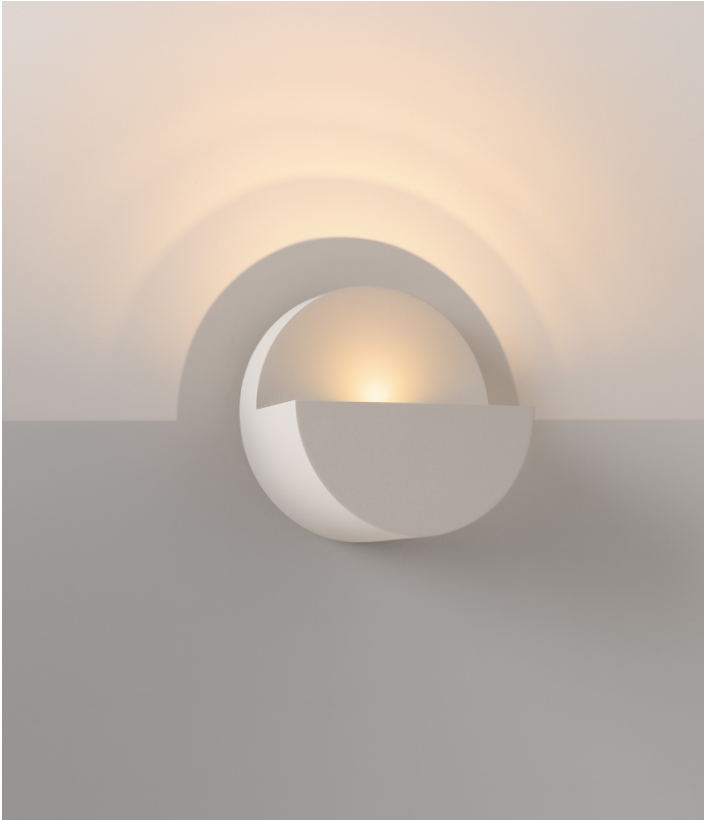


## Impulse Round Wall 1x DE

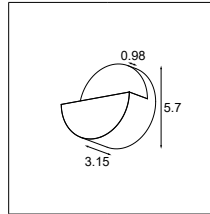
### Overview



An abstract shape that transforms into a poem of light and shadow. Impulse, a wall luminaire designed by Maarten De Ceulaer, brings a surprising light effect to any surface it touches. Express a unique experience in your space, where ripples of shadow and light create depth and accentuate architectural features all around.

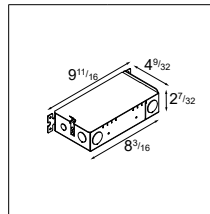
### How to Specify (example)

#### 1. Select Luminaire / Body → Page 2



Example: **IMPUR-W-1X-30-WT-DE-GWS**  
Impulse Round Wall 1x LED, 3000K, wet rated, driver external, grey white structure

#### 2. Select Remote Driver → Page 3



Example: **NON-IC-RD-DP-010P-500-6**  
Remote Driver, NON-IC rated, damp rated, 0-10V, ELV & Triac, 500mA, 6W

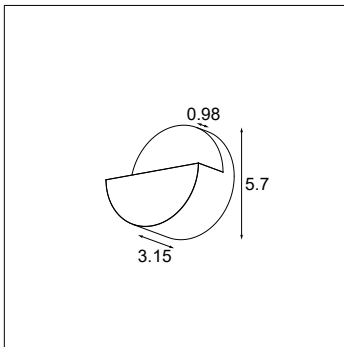
Example order:

Quantity	Item
1	<b>IMPUR-W-1X-30-WT-DE-GWS</b>
1	<b>NON-IC-RD-DP-010P-500-6</b>

# Impulse Round Wall 1x DE

## Luminaire Specifications

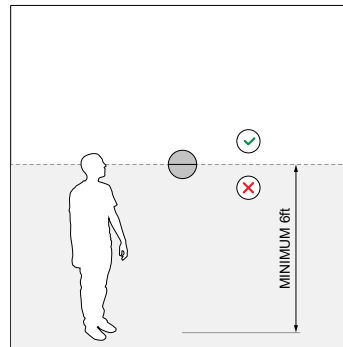
- Body material: aluminum
- Body finish: powder coat or wet paint (cast grey finish is slightly see-through and still shows the natural color differences of the raw aluminum material)
- Driver: not included in the body
- Must be combined with remote driver (specify on page 3)
- Wall mount only (uplight only)
- To avoid direct eye contact with the LEDs, install the luminaire above eye level (minimum 6ft from the ground)
- LEDs have a coating that allows for cleaning and direct contact with dust and moisture
- After installation, the luminaire can be finely adjusted to level the lighting effect
- Junction box is not required for installation



Impulse Round Wall 1x DE



Impulse Round Wall 1x DE

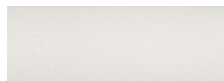


Install the luminaire above eye level

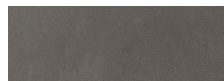
## Finish Information



Black Structure (BLS)  
Powder Coat (Matte)



Grey White Structure (GWS)  
Powder Coat (Matte)



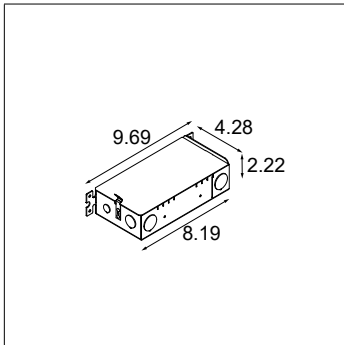
Cast Grey (CGMT)  
Wet Paint (Matte)

## Ordering Information

IMPUR-W-1X				WT		DE			
<b>IMPUR-W-1X</b>	Impulse Round Wall 1x	<b>27</b>	2700K	<b>WT</b>	Wet Location (for indoor use only)	<b>DE</b>	Driver External	<b>BLS</b>	Black Structure
		<b>30</b>	3000K					<b>GWS</b>	Grey White Structure
		<b>35</b>	3500K					<b>CGMT</b>	Cast Grey

**Remote Driver Specifications**

- Material: sheet metal (galvanized steel)
- Class 2 constant current power supply
- Multiple luminaires can be connected in series to a single driver
- Box can be bottom, side or t-bar mounted
- 4 knockout holes for line voltage conduit or cable connection
- 4 knockout holes for low-voltage conduit or cable connection
- May be placed up to 50ft away using 16AWG wire
- Suitable for damp locations



Remote Driver "A"

**Electrical Specifications & Ordering Information**

Ordering Code	Version	Input	Output	Dim <sup>(2)</sup>	Driver Location					Luminaires <sup>(3)</sup>
					Recessed IC	Recessed Non-IC	Surface	Cabinet	Under Cabinet	
IC-RD-DP-0101-EL-350-30	Remote Driver "A"	120-277VAC	350mA DC	0-10V - 1%	Ⓜ	Ⓜ	Ⓜ	Ⓜ	Ⓜ	1 - 4
NON-IC-RD-DP-010P-350-8	Remote Driver "A"	120-277VAC <sup>(1)</sup>	350mA DC	0-10V, ELV & Triac - 1%	Ⓜ	Ⓜ	Ⓜ	Ⓜ	Ⓜ	2
NON-IC-RD-DP-010P-350-11	Remote Driver "A"	120-277VAC <sup>(1)</sup>	350mA DC	0-10V, ELV & Triac - 1%	Ⓜ	Ⓜ	Ⓜ	Ⓜ	Ⓜ	2
NON-IC-RD-DP-010P-350-14	Remote Driver "A"	120-277VAC <sup>(1)</sup>	350mA DC	0-10V, ELV & Triac - 1%	Ⓜ	Ⓜ	Ⓜ	Ⓜ	Ⓜ	3
IC-RD-DP-0101-EL-500-30	Remote Driver "A"	120-277VAC	500mA DC	0-10V - 1%	Ⓜ	Ⓜ	Ⓜ	Ⓜ	Ⓜ	1 - 4
IC-RD-DP-TE1-500-12	Remote Driver "A"	120VAC	500mA DC	ELV & Triac - 1%	Ⓜ	Ⓜ	Ⓜ	Ⓜ	Ⓜ	2
IC-RD-DP-TE1-500-20	Remote Driver "A"	120VAC	500mA DC	ELV & Triac - 1%	Ⓜ	Ⓜ	Ⓜ	Ⓜ	Ⓜ	3
NON-IC-RD-DP-010P-500-6	Remote Driver "A"	120-277VAC <sup>(1)</sup>	500mA DC	0-10V, ELV & Triac - 1%	Ⓜ	Ⓜ	Ⓜ	Ⓜ	Ⓜ	1
NON-IC-RD-DP-010P-500-16	Remote Driver "A"	120-277VAC <sup>(1)</sup>	500mA DC	0-10V, ELV & Triac - 1%	Ⓜ	Ⓜ	Ⓜ	Ⓜ	Ⓜ	2
NON-IC-RD-DP-010P-500-21	Remote Driver "A"	120-277VAC <sup>(1)</sup>	500mA DC	0-10V, ELV & Triac - 1%	Ⓜ	Ⓜ	Ⓜ	Ⓜ	Ⓜ	3

<sup>(1)</sup> Dimming via ELV & Triac only compatible at 120VAC input

<sup>(2)</sup> Consult the factory for dimmer compatibility

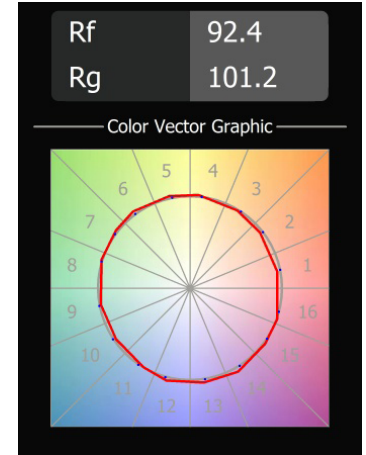
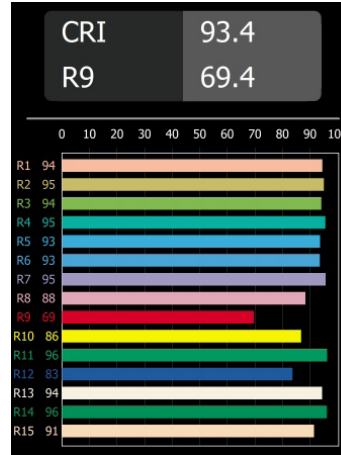
<sup>(3)</sup> Minimum & maximum amount of compatible luminaires, multiple luminaires must be connected in series to a single driver

## Performance Specifications

Luminaire	<b>Fixed CCT</b>	
Weight	1.4lbs	
Location	wet (for indoor use only)	
CRI*	93, R9: 69	
Lifetime	L80 B10 @ 50,000 hrs	
UGR	see website	
Beam Angle	120°	
Electrical (typical)	<b>Fixed CCT</b>	
Drive Current (mA DC)	350	500
Forward Voltage (V)	10.9	11.0
LED Power (W)**	3.8	5.5

\* CRI & TM-30 Value for 3000K

\*\* Power figures exclude remote driver



For photometric files see website or contact factory.

## Output Specifications

Reference Delivered Lumens	CCT	Drive Current	Finish
630 (ref. 3000K, 500mA, GWS)	2700K (0.91) 3000K (1.00) 3500K (0.98)	350mA (0.74) 500mA (1.00)	BLS (0.81) GWS (1.00) CGMT (0.86)

Multipliers are indicated between brackets: ( )

Example calculation, to determine typical output for 2700K, 350mA, Black Structure: 630 x (0.91) x (0.74) x (0.81) = 343 lumens

## Listings and Certifications

- Listed: cULus
- Wet locations (for indoor use only)
- ADA compliant



## Warranty

- Visit <https://www.supermodular.com/en-us/warranty/>