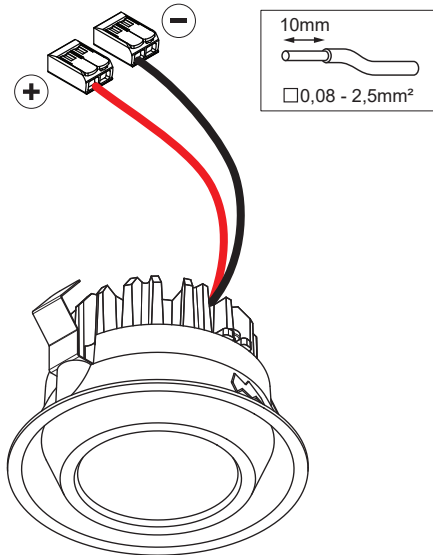


M-LED 70 GE

140700XX-B1_140701XX-B1_140702XX-B1_140703XX-B1_140704XX-B1_140705XX-B1_140706XX-B1_140707XX-B1_140708XX-B1

ELECTRICAL SPECS LED-FIXTURE			
Drive Current (mA)	Forward Voltage		Power (W)
	min (Vf)	max (Vf)	
350	13,2	15,0	5,0
500	13,7	15,4	7,2
⊕ RED		⊖ BLACK	
For serial connection, respect polarity! Not suited for connection to mains voltage. Combine with a Modular LED-driver.			



Voit
Volts
Volts
Volts
Volts
Volts
Вольт
فولت



Ampère
Ampères
Amperes
Ampere
Amperio
Ampere
Ампер
أمبير



Watt
Watts
Watts
Watt
Watio
Watt
Ватт
وات



Gelijkspanning
Alimentation en courant alternatif
DC power
Gleichstrom
Corriente continua
Corrente continua
Постоянный ток
تيار متردد



Klasse 3
Classe 3
Class 3
Klasse 3
Classe 3
classe 3
Класс 3
الفئة 3



Norm
Norme
Standard
Norm
Norma
Norma
قياسي



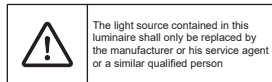
Raak de LED niet aan
Do not touch the LED
Touchez pas la LED
Berühren Sie die LED nicht
No toque el LED
Non toccare il LED
Не прикасайтесь к светодиоиду
لا تلمس وحدات الإضاءة
LED للاستخدام داخل الإنشاءة



Interieur gebruik
Utilisation interieur
Innenverwendung
Interior use
Uso interior
Для использования внутри помещений
للاستخدام داخل المباني



Beschermglas vervangen indien beschadigd
Remplace le verre de protection si celui-ci est endommagé
Replace protective glass cover if damaged
Schutzglas ersetzt, wenn sie beschädigt
Sostituire el vidrio protector en caso de que esté dañado
Sostituire il vetro protettivo se danneggiato
Заменить защитное стекло в случае его повреждения
استبدال غطاء الحماية الزجاجي عند تضرره



The light source contained in this luminaire shall only be replaced by the manufacturer or his service agent or a similar qualified person



DO NOT TOUCH LED



Replace protective shield when broken. The luminaire shall only be used complete with its protective shield. Reference number: 1011481

CAN BE USED WITH Drivers:
see driver matrix - latest version on website
www.supermodular.com or check sales contact



supermodular.com

For a complete international dealer list, please contact our website: www.supermodular.com

Main office Belgium

Modular Lighting Instruments
Armoedestraat 71 • 8800 Roeselare • Belgium
t + 32 51 26 56 56 • f + 32 51 22 80 04
welcome@supermodular.com

INSTALLATIE MOET GEBEUREN DOOR EEN ERKEND INSTALLATEUR
L'INSTALLATION DOIT ETRE FAITE PAR UN INSTALLATEUR COMPETENT
INSTALLATION MUST BE DONE BY A COMPETENT INSTALLER
INSTALLATION MUSS VON EINEM KOMPETENTEN INSTALLATEUR DIRCHGEFÜHRT WERDEN
LA INSTALACION DEBE HACERLA UN INSTALADOR COMPETENTE
INSTALLAZIONE DEVE ESSERE EFFETTUATA DA UN INSTALLATORE QUALIFICATO
МОНТАЖ СВЕТИЛЬНИКА ДОЛЖЕН ВЫПОЛНЯТЬСЯ КВАЛИФИЦИРОВАННЫМ СПЕЦИАЛИСТОМ
يجب أن يتم التركيب من قبل مُركَّب مختص

 **MODULAR**
LIGHTING —
INSTRUMENTS