

Description

Slim (width 26.5mm, 30mm high) U-shaped customisable LED profile for continuous direct lighting. The unit consists of an extruded aluminum base with PMMA diffuser. The PMMA diffuser is sticking out 10mm from the base, so not only the front but also the sides of the diffuser are lighting up. The light source can be chosen: 1000lm/m or 2000lm/m medium power flexible LED strips working on 24V constant voltage. In both cases, the LED driver isn't integrated in the profile base. The base can be surface (ceiling or wall) mounted or suspended. Maximum length of one profile is 4000mm.

Materials

- Base: aluminium anodized (available in natural colour, bronze, silver bronze and champagne) or with scratch resistant fine textured powder coating in matt white or matt black
- Diffusor: PMMA
- Endplate: aluminium anodized or with scratch resistant fine textured powder coating in matt white or matt black
- Connection plate 180° or 90°: galvanized steelplate
- Wall bracket: aluminium anodized or with scratch resistant fine textured powder coating in matt white or matt black
- Suspension cables: steel
- Ceiling mount: aluminium with scratch resistant fine textured powder coating in matt white or matt black, or anodic grey

Technical characteristics

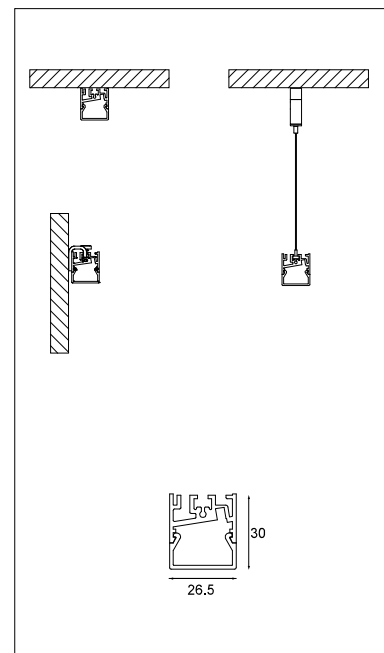
- Dimensions surface mounted base: 30 mm x 26.5 mm (H x W)
- Average base thickness: 2mm
- Indicative weight of empty surface mounted base: 0.5 kg/m
- Suitable for continuous light line with IP20 medium power flexible LED strip of 1000 lm/m (10.8W/m) or 2000 lm/m (18.9W/m) in 2700, 3000K or 4000K, CRI90, 3SDCM for remote 24V LED driver. Choose from driver matrix for suitable dimensions, wattage and type of dimming.
- Input voltage: 24V DC
- Class 3 luminaire
- Only for indoor use, IP20 protection class
- Warranty period: 5 years on LED, 2 years on drivers

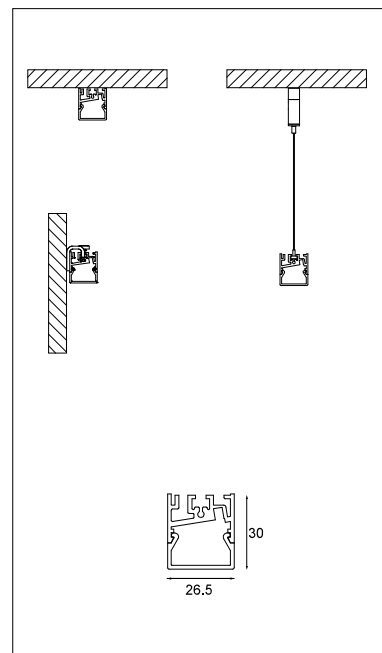
Installation

- Flexible LED strips are preinstalled in base and wired with suitable cables
- Surface mounted ceiling: slotted holes in base. Fix with standard chipboard screws, maximum diameter 4.5mm (not included)
- Surface mounted wall: slotted holes in base in combination with wall bracket. Fix with standard chipboard screws, maximum diameter 4.5mm (not included)
- Suspended: suspension set and steel cable available separately. Height adjusted at ceiling side.

Accessories

- 180° connection plate
- 90° connection plate
- Endplate, attached to the base with one screw
- Suspension set with steel cable, transparent 3 pole power cable, with anodized grey, matt black/white fine texture powder coated ceiling mount. Also available with ceiling connection box in same colours




Standards and directives:

- 2006/95/EC - Low Voltage Directive
- 2004/108/EC - EMC Directive
- 2011/65/EU - RoHS Directive
- 2009/125/EC - ECODesign Directive
- 245/2009/EC + 347/2010/EU - ECODesign Directive
- 1194/2012/EU - ECODesign Regulation
- EN 60598-1:2008 +A11:2009 - Luminaires. General requirements and tests
- EN 62471:2008 - Photobiological safety of LED lamps and lamp systems
- EN 62493: 2010 - Assessment of lighting equipment related to human exposure to electromagnetic fields
- EN 60598-2-1 - Fixed general purpose luminaires
- EN 55015:2006 +A1:2007 +A2:2009 - Limits and methods of measurement of radio disturbance characteristics of electrical lighting and similar equipment
- EN 61000-3-2:2006 +A1,A2:2009 - Limits for harmonic current emissions (equipment input current ≤ 16 A per phase)
- EN 61000-3-3:2013 - Limitation of voltage changes, voltage fluctuations and flicker in public low-voltage supply systems, for equipment with rated current ≤ 16 A per phase and not subject to conditional connection
- EN 61547:2009 - EMC Immunity Requirements
- EN 50581:2012 - Technical documentation for the assessment of electrical and electronic products with respect to the restriction of hazardous substances