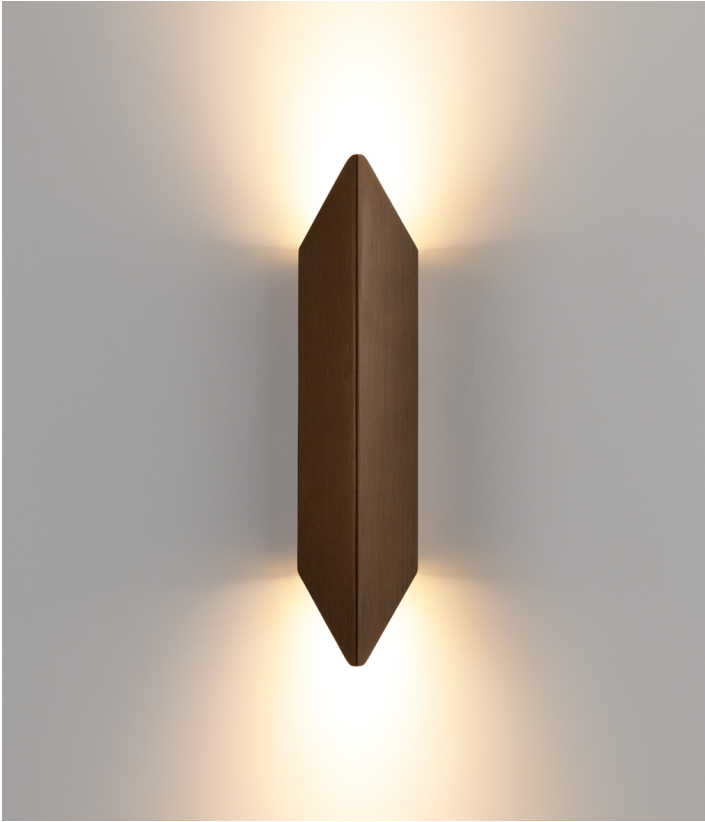


Chival Wall Up/Down 11.5 2x DE

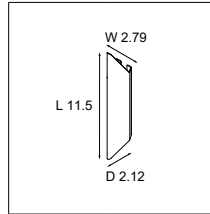
Overview



A commanding presence of small proportions. One single, pleated plate making up the housing, Chival shows elements of sharp design and refined craftsmanship. Its up and down directional light is a natural continuation of the shape, which was inspired by medieval coats of arms. Alone, Chival is beautiful and timeless. Try two or more, and you'll see a conversation of shadow, light and patterns taking shape.

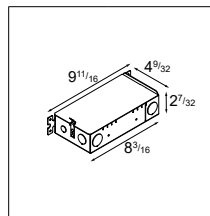
How to Specify (example)

1. Select Luminaire / Body → Page 2



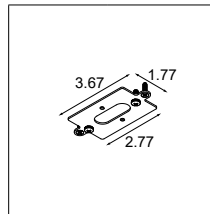
Example: **CHIVA-W-UD-11.5-2X-30-DP-DE-BRBA**
Chival Wall Up/Down 11.5 2x LED, 3000K, damp rated, driver external, bronze brushed

2. Select Remote Driver → Page 3



Example: **NON-IC-RD-DP-010P-350-8**
Remote Driver, NON-IC rated, damp rated, 0-10V, ELV & Triac, 350mA, 8W

3. Select Mounting Accessory (optional) → Page 4



Example: **PP-32-CHIVAL**
Plasterplate, for 3"x2" junction box, for Chival

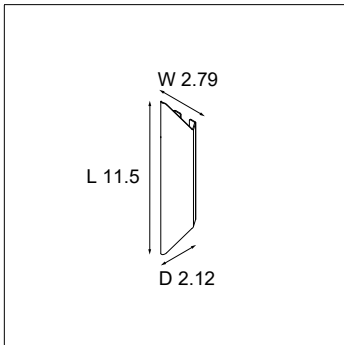
Example order:

Quantity	Item
1	CHIVA-W-UD-11.5-2X-30-DP-DE-BRBA
1	NON-IC-RD-DP-010P-350-8
1	PP-32-CHIVAL

Chival Wall Up/Down 11.5 2x DE

Luminaire Specifications

- Body material: aluminum
- Body finish: powder coat, anodisation or chrome plating
- Driver: not included in the body
- Must be combined with remote driver (specify on page 3)
- Vertical (upright) wall mount only
- Junction box is not required for installation
- Can optionally be combined with mounting accessory (specify on page 4)



Chival Wall Up/Down 11.5 2x DE

Finish Information



Black Chrome (BLCR)
Chrome Plating (Glossy)



Grey White Structure (GWS)
Powder Coat (Matte)



Black (BLBA)
Anodised (Brushed)



Bronze (BRBA)
Anodised (Brushed)



Champagne (CHBA)
Anodised (Brushed)



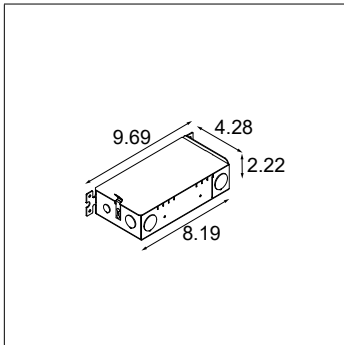
Silver Bronze (SBBA)
Anodised (Brushed)

Ordering Information

CHIVA-W-UD-11.5-2X		-		-	DP	-	DE	-		
CHIVA-W-UD-11.5-2X	Chival Wall Up/Down 11.5 2x		27	2700K	DP	Damp Location	DE	Driver External	BLCR	Black Chrome
			30	3000K					GWS	Grey White Structure
			35	3500K					BLBA	Black Brushed
			WD	Warm Dim 3000K - 1800K					BRBA	Bronze Brushed
									CHBA	Champagne Brushed
									SBBA	Silver Bronze Brushed

Remote Driver Specifications

- Material: sheet metal (galvanized steel)
- Class 2 constant current power supply
- Multiple luminaires can be connected in series to a single driver
- Box can be bottom, side or t-bar mounted
- 4 knockout holes for line voltage conduit or cable connection
- 4 knockout holes for low-voltage conduit or cable connection
- May be placed up to 50ft away using 16AWG wire
- Suitable for damp locations



Remote Driver "A"

Electrical Specifications & Ordering Information

Ordering Code	Version	Input	Output	Dim ⁽²⁾	Driver Location					Luminaires ⁽³⁾	
					Recessed IC	Recessed Non-IC	Surface	Cabinet	Under Cabinet	Fixed CCT	Warm Dim
IC-RD-DP-0101-EL-250-30	Remote Driver "A"	120-277VAC	250mA DC	0-10V - 1%	Ⓜ	Ⓜ	Ⓜ	Ⓜ	Ⓜ		1
NON-IC-RD-DP-010P-250-10	Remote Driver "A"	120-277VAC ⁽¹⁾	250mA DC	0-10V, ELV & Triac - 1%		Ⓜ	Ⓜ	Ⓜ	Ⓜ		1
IC-RD-DP-0101-EL-350-30	Remote Driver "A"	120-277VAC	350mA DC	0-10V - 1%	Ⓜ	Ⓜ	Ⓜ	Ⓜ	Ⓜ	1 - 2	
NON-IC-RD-DP-010P-350-8	Remote Driver "A"	120-277VAC ⁽¹⁾	350mA DC	0-10V, ELV & Triac - 1%		Ⓜ	Ⓜ	Ⓜ	Ⓜ	1	
NON-IC-RD-DP-010P-350-14	Remote Driver "A"	120-277VAC ⁽¹⁾	350mA DC	0-10V, ELV & Triac - 1%		Ⓜ	Ⓜ	Ⓜ	Ⓜ	2	
IC-RD-DP-0101-EL-500-30	Remote Driver "A"	120-277VAC	500mA DC	0-10V - 1%	Ⓜ	Ⓜ	Ⓜ	Ⓜ	Ⓜ	1 - 2	
IC-RD-DP-TE1-500-12	Remote Driver "A"	120VAC	500mA DC	ELV & Triac - 1%	Ⓜ	Ⓜ	Ⓜ	Ⓜ	Ⓜ	1	
IC-RD-DP-TE1-500-20	Remote Driver "A"	120VAC	500mA DC	ELV & Triac - 1%	Ⓜ	Ⓜ	Ⓜ	Ⓜ	Ⓜ	2	
NON-IC-RD-DP-010P-500-21	Remote Driver "A"	120-277VAC ⁽¹⁾	500mA DC	0-10V, ELV & Triac - 1%		Ⓜ	Ⓜ	Ⓜ	Ⓜ	2	

⁽¹⁾ Dimming via ELV & Triac only compatible at 120VAC input

⁽²⁾ Consult the factory for dimmer compatibility

⁽³⁾ Minimum & maximum amount of compatible luminaires, multiple luminaires must be connected in series to a single driver

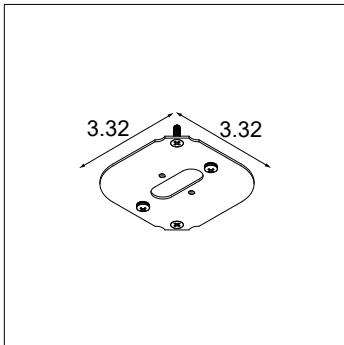
Mounting Accessories Specifications

Plasterplate

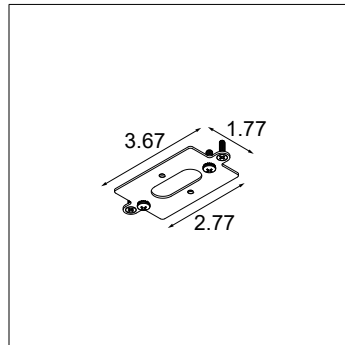
- Optional, for installation with a 4"x4" octagonal or 3"x2" junction box
- Plaster finish
- Material: stainless steel
- Thickness: 0.06"
- Weight: 0.2lbs (4"x4" version), 0.1lbs (3"x2" version)

Backplate

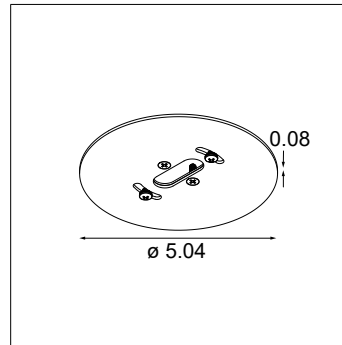
- Optional, for installation with a 4"x4" octagonal or 3"x2" junction box
- Backplate covers the junction box
- Backplate can be painted in the field to match the color of the wall
- Material: stainless steel
- Finish: powder coat
- Thickness: 0.08"
- Weight: 0.6lbs (4"x4" version), 0.5lbs (3"x2" version)



Plasterplate (4"x4" version)



Plasterplate (3"x2" version)

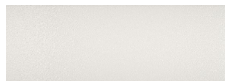


Backplate

Finish Information



Black Structure (BLS)
Powder Coat (Matte)



Grey White Structure (GWS)
Powder Coat (Matte)

Ordering Information

PP	-		-	CHIVAL
PP Plasterplate		44 For 4"x4" octagonal junction box		CHIVAL For Chival luminaire
		32 For 3"x2" junction box		

BP-C	-		-	CHIVAL	-	
BP-C Backplate		44 For 4"x4" octagonal junction box		CHIVAL For Chival luminaire		BLS Black Structure
		32 For 3"x2" junction box				GWS Grey White Structure

Chival Wall Up/Down 11.5 2x DE

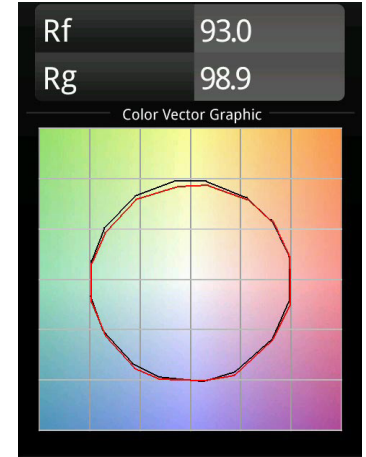
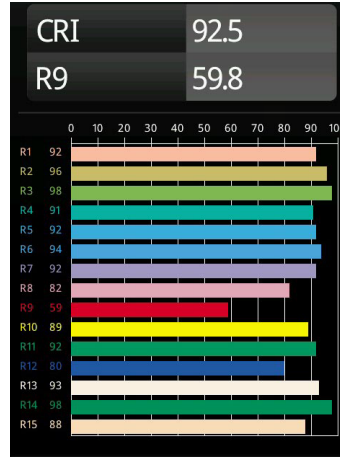
Performance Specifications (per luminaire)

Luminaire	Fixed CCT	Warm Dim
Weight	0.7lbs	0.7lbs
Location	damp	damp
CRI*	92, R9: 60	97, R9: 95
Lifetime	L80 B20 @ 50,000 hrs	L80 B20 @ 50,000 hrs
UGR	see website	see website
Beam Angle	34°	44°

Electrical (typical)	Fixed CCT	Warm Dim
Drive Current (mA DC)	350 500	250
Forward Voltage (V)	17.0 17.6	34.0
LED Power (W)**	6.0 8.8	8.5

* CRI & TM-30 Value for 3000K

** Power figures exclude remote driver



For photometric files see website or contact factory.

Output Specifications (per luminaire)

Reference Delivered Lumens	CCT	Drive Current	Finish
713 (ref. 3000K, 500mA, GWS)	2700K (1.00) 3000K (1.00) 3500K (1.00)	350mA (0.74) 500mA (1.00)	BLCR (0.97) GWS (1.00) BLBA (0.94) BRBA (0.96) CHBA (1.01) SBBA (0.99)
482 (ref. 3000K-1800K, 250mA, GWS)	3000K - 1800K (1.00)	250mA (1.00)	BLCR (0.97) GWS (1.00) BLBA (0.93) BRBA (0.95) CHBA (1.04) SBBA (1.00)

Reference Delivered Lumens is the total amount: 50% uplight & 50% downlight

Multipliers are indicated between brackets: ()

Example calculation, to determine typical output for 2700K, 350mA, Champagne: 713 x (1.00) x (0.74) x (1.01) = 532 lumens

Listings and Certifications

- Listed: cULus
- Damp locations
- ADA compliant



Warranty

- Visit <https://www.supermodular.com/en-us/warranty/>