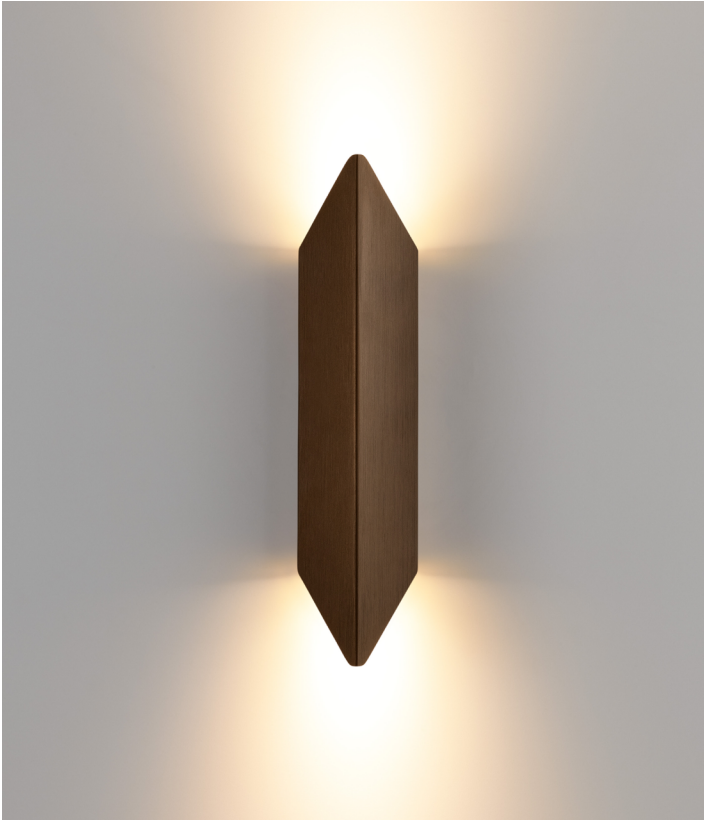


Chival Wall Up/Down 11.5 2x DI

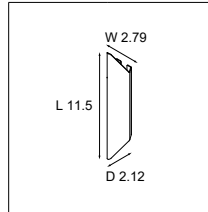
Overview



A commanding presence of small proportions. One single, pleated plate making up the housing, Chival shows elements of sharp design and refined craftsmanship. Its up and down directional light is a natural continuation of the shape, which was inspired by medieval coats of arms. Alone, Chival is beautiful and timeless. Try two or more, and you'll see a conversation of shadow, light and patterns taking shape.

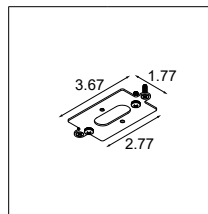
How to Specify (example)

1. Select Luminaire / Body → Page 2



Example: **CHIVA-W-UD-11.5-2X-30-DP-010P-DI-BRBA**
Chival Wall Up/Down 11.5 2x LED, 3000K, damp rated, 0-10V, ELV & Triac driver included, bronze brushed

2. Select Mounting Accessory → Page 3



Example: **PP-32-CHIVAL**
Plasterplate, for 3"x2" junction box, for Chival

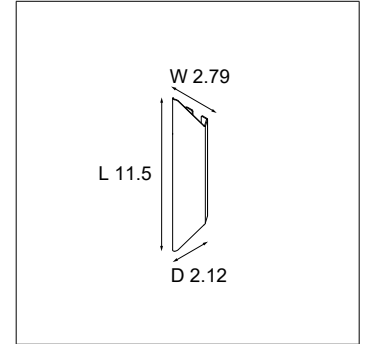
Example order:

Quantity	Item
1	CHIVA-W-UD-11.5-2X-30-DP-010P-DI-BRBA
1	PP-32-CHIVAL

Chival Wall Up/Down 11.5 2x DI

Luminaire Specifications

- Body material: aluminum
- Body finish: powder coat, anodisation or chrome plating
- Driver: included in the body
- Vertical (upright) wall mount only
- Must be combined with mounting accessory (specify on page 3)

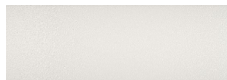


Chival Wall Up/Down 11.5 2x DI

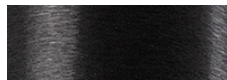
Finish Information



Black Chrome (BLCR)
Chrome Plating (Glossy)



Grey White Structure (GWS)
Powder Coat (Matte)



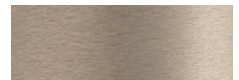
Black (BLBA)
Anodised (Brushed)



Bronze (BRBA)
Anodised (Brushed)



Champagne (CHBA)
Anodised (Brushed)



Silver Bronze (SBBA)
Anodised (Brushed)

Electrical Specifications

Driver Version	Input	Output	Dim ⁽²⁾	Lamp Type		Connected Load	
				Fixed CCT	Warm Dim	Fixed CCT	Warm Dim
010P	120-277VAC ⁽¹⁾	250mA DC	0-10V, ELV & Triac - 1%		☺		10.1W
010P	120-277VAC ⁽¹⁾	500mA DC	0-10V, ELV & Triac - 1%	Ⓜ		10.4W	

⁽¹⁾ Dimming via ELV & Triac only compatible at 120VAC input

⁽²⁾ Consult the factory for dimmer compatibility

Ordering Information

CHIVA-W-UD-11.5-2X		-	DP	-	010P	-	DI	-
CHIVA-W-UD-11.5-2X	Chival Wall Up/Down 11.5 2x		DP Damp Location		010P 0-10V, ELV & Triac		DI Driver Included	
		27	2700K					BLCR Black Chrome
		30	3000K					GWS Grey White Structure
		35	3500K					BLBA Black Brushed
		WD	Warm Dim 3000K - 1800K					BRBA Bronze Brushed
								CHBA Champagne Brushed
								SBBA Silver Bronze Brushed

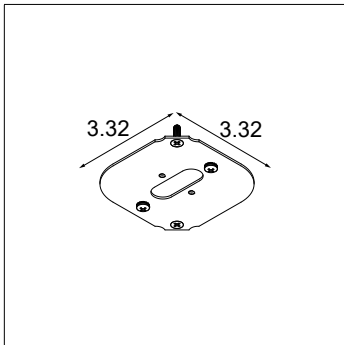
Mounting Accessories Specifications

Plasterplate

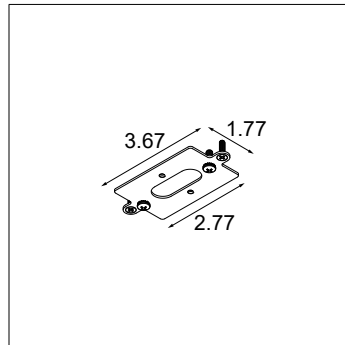
- For installation with a 4"x4" octagonal or 3"x2" junction box
- Plaster finish
- Material: stainless steel
- Thickness: 0.06"
- Weight: 0.2lbs (4"x4" version), 0.1lbs (3"x2" version)

Backplate

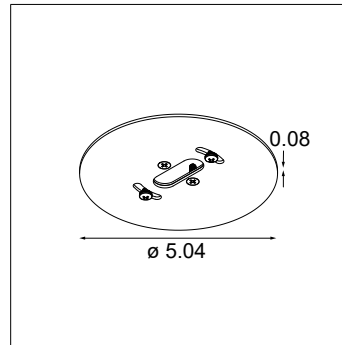
- For installation with a 4"x4" octagonal or 3"x2" junction box
- Backplate covers the junction box
- Backplate can be painted in the field to match the color of the wall
- Material: stainless steel
- Finish: powder coat
- Thickness: 0.08"
- Weight: 0.6lbs (4"x4" version), 0.5lbs (3"x2" version)



Plasterplate (4"x4" version)



Plasterplate (3"x2" version)

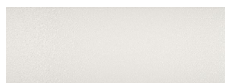


Backplate

Finish Information



Black Structure (BLS)
Powder Coat (Matte)



Grey White Structure (GWS)
Powder Coat (Matte)

Ordering Information

PP	-		-	CHIVAL
PP Plasterplate		44 For 4"x4" octagonal junction box		CHIVAL For Chival luminaire
		32 For 3"x2" junction box		

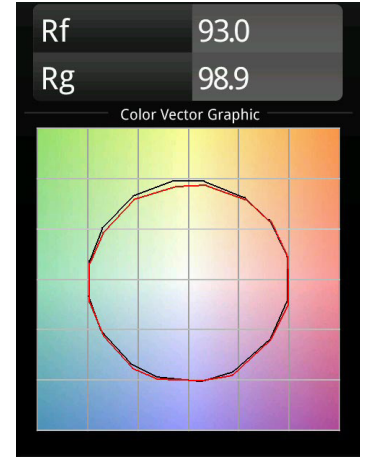
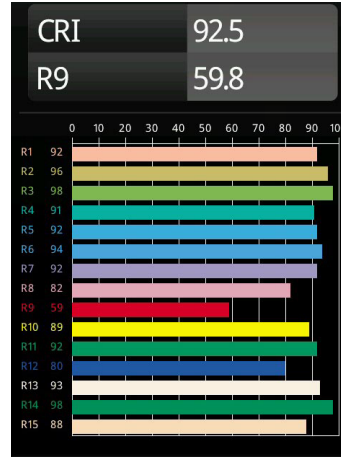
BP-C	-		-	CHIVAL	-	
BP-C Backplate		44 For 4"x4" octagonal junction box		CHIVAL For Chival luminaire		BLS Black Structure
		32 For 3"x2" junction box				GWS Grey White Structure

Chival Wall Up/Down 11.5 2x DI

Performance Specifications (per luminaire)

Luminaire	Fixed CCT	Warm Dim
Weight	1.0lbs	1.0lbs
Location	damp	damp
CRI*	92, R9: 60	97, R9: 95
Lifetime	L80 B20 @ 50,000 hrs	L80 B20 @ 50,000 hrs
UGR	see website	see website
Beam Angle	34°	44°

* CRI & TM-30 Value for 3000K



For photometric files see website or contact factory.

Output Specifications (per luminaire)

Reference Delivered Lumens	CCT	Drive Current	Finish
713 (ref. 3000K, 500mA, GWS)	2700K (1.00) 3000K (1.00) 3500K (1.00)	500mA (1.00)	BLCR (0.97) GWS (1.00) BLBA (0.94) BRBA (0.96) CHBA (1.01) SBBA (0.99)
482 (ref. 3000K-1800K, 250mA, GWS)	3000K - 1800K (1.00)	250mA (1.00)	BLCR (0.97) GWS (1.00) BLBA (0.93) BRBA (0.95) CHBA (1.04) SBBA (1.00)

Reference Delivered Lumens is the total amount: 50% uplight & 50% downlight

Multipliers are indicated between brackets: ()

Example calculation, to determine typical output for 2700K, 500mA, Champagne: 713 x (1.00) x (1.00) x (1.01) = 720 lumens

Listings and Certifications

- Listed: cULus
- Damp locations
- ADA compliant



Warranty

- Visit <https://www.supermodular.com/en-us/warranty/>