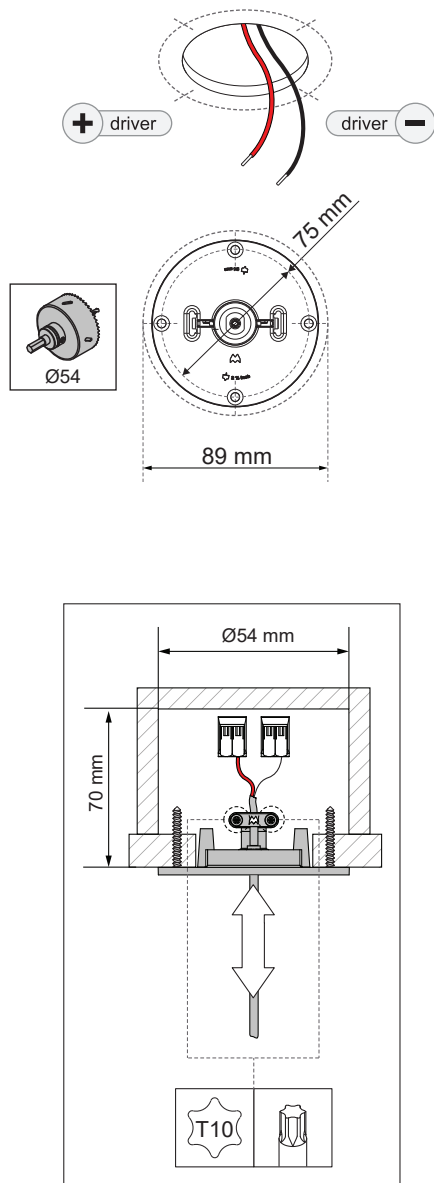


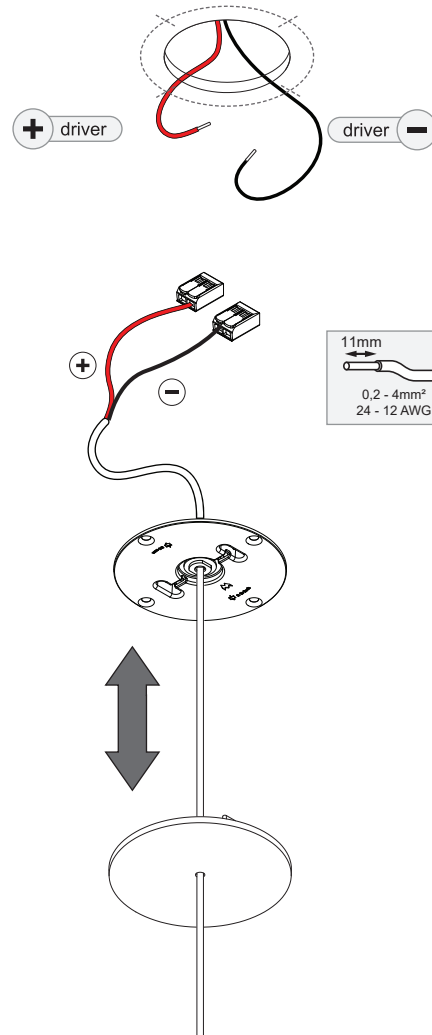
Power Feed Recessed 2m/6m

137200XX_137201XX

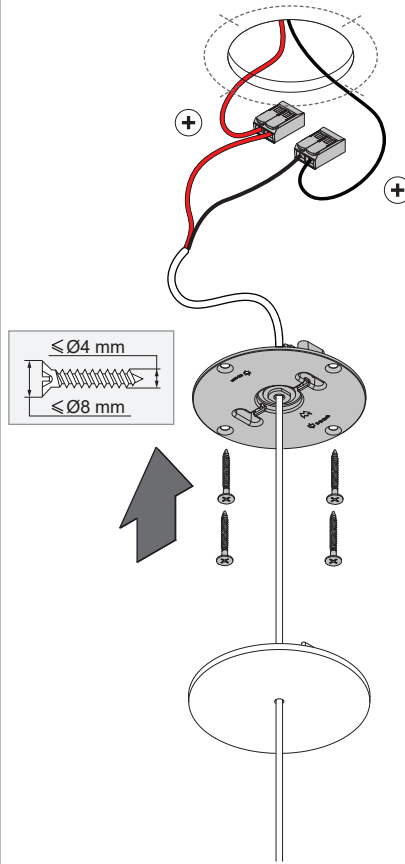
1 CHECK DIMENSIONS & PREPARE HOLE



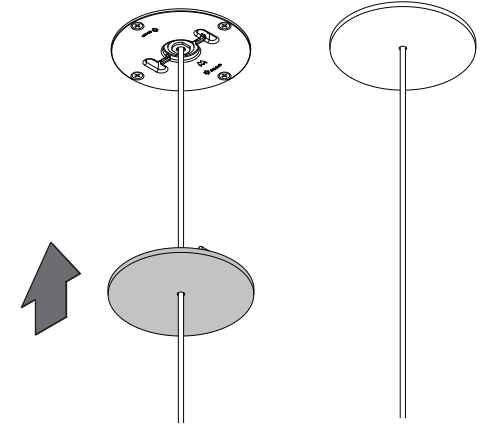
2 SHORTEN CABLE



3 MAKE ELECTRICAL CONNECTION & MOUNT



4 SLIDE OVER COVER PLATE



DRIVERS & ACCESSORIES

For latest version of driver matrix and available accessories check www.supermodular.com or connect with your sales contact.