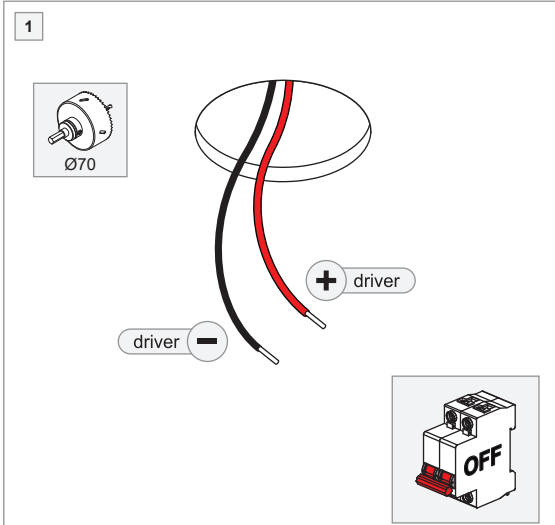
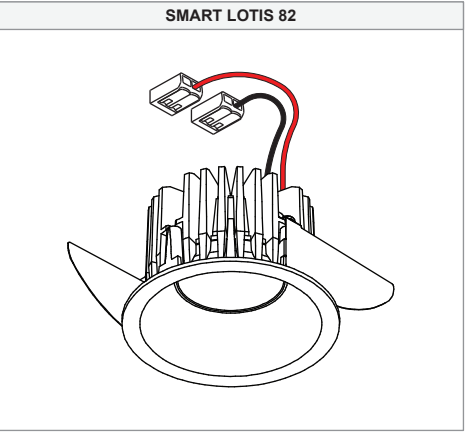
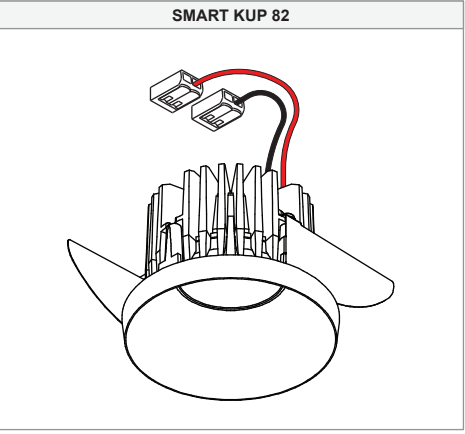
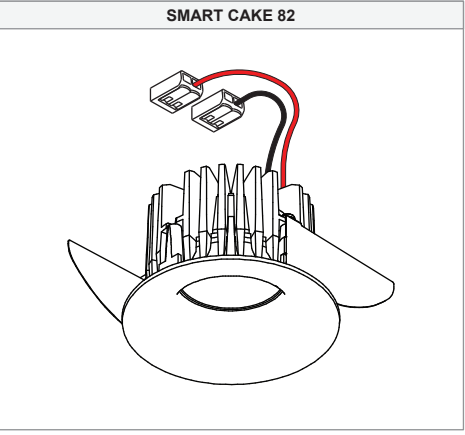


# Smart Cake/Kup/Lotis 82 LED DE

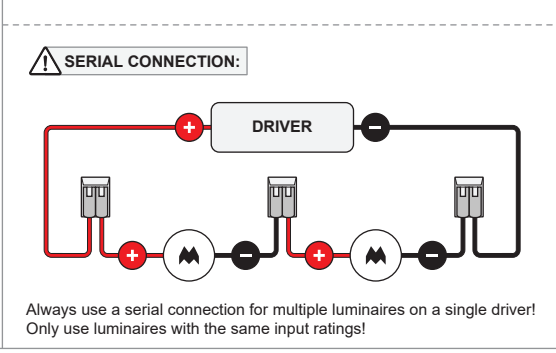
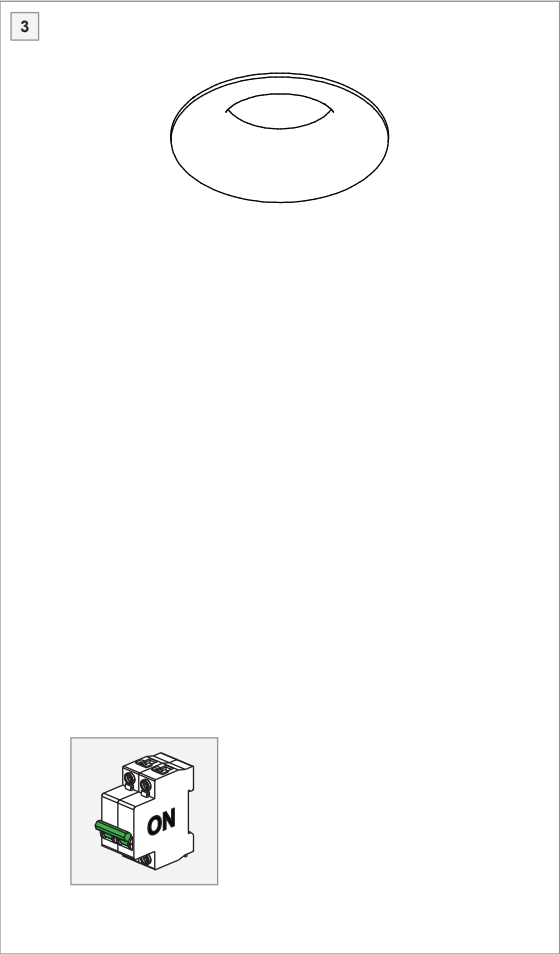
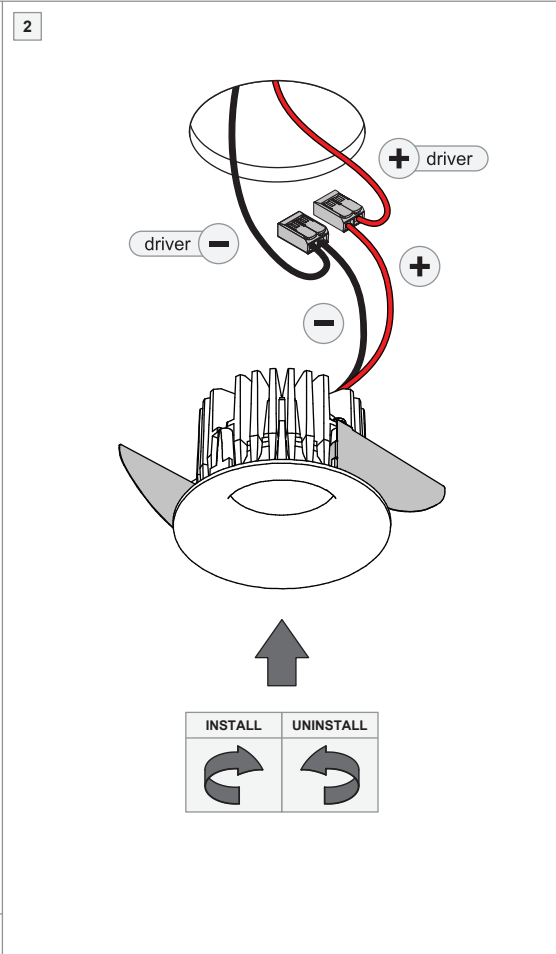
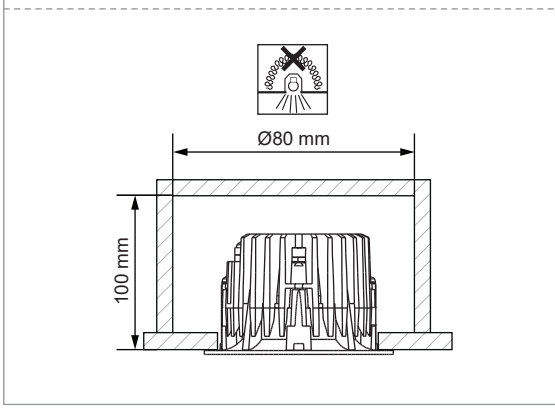
124110XX\_124111XX\_124112XX\_124113XX\_124114XX\_124115XX\_124116XX\_124117XX\_124118XX\_124410XX\_124411XX\_124412XX\_124413XX\_124414XX\_124415XX\_124416XX\_124417XX\_124418XX\_124710XX\_124711XX\_124712XX\_124713XX\_124714XX\_124715XX\_124716XX\_124717XX\_124718XX



ELECTRICAL SPECS LED-FIXTURE			
Drive Current (mA)	Forward Voltage		Power (W)
	min (Vf)	max (Vf)	
350	13,2	15,0	5,0
500	13,7	15,4	7,2
700	14,2	16,0	10,6

+ RED      - BLACK

For serial connection, respect polarity!  
Not suited for connection to mains voltage.  
Combine with a Modular LED-driver.



**LIGHT SOURCE - DO NOT TOUCH LED**

Touching the LED can result in permanent damage of the light source. The light source contained in this luminaire shall only be replaced by the manufacturer or his service agent or a similar qualified person.

**PREVENTING ELECTROSTATIC DAMAGE**

A discharge of static electricity may damage sensitive components. Therefore do not touch the LED nor the stripped parts of the wires with bare hands. Always be properly insulated by using ESD gloves.

**DRIVERS & ACCESSORIES**

For latest version of driver matrix and available accessories check [www.supermodular.com](http://www.supermodular.com) or connect with your sales contact.