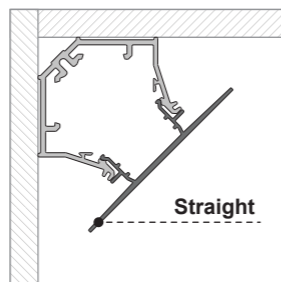
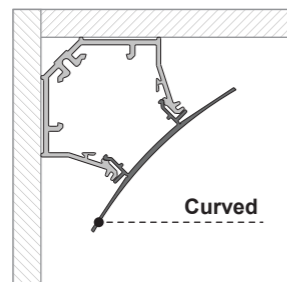
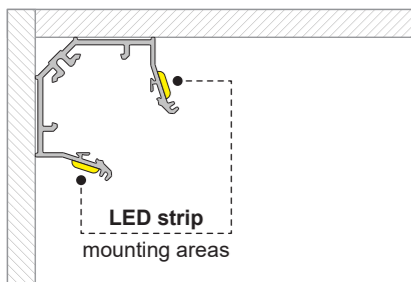


COMO CORNER

INSTALLATION INSTRUCTIONS



COMO CORNER



LED strip options:

- US_93000032 (2700K) (1000lm/m) (3m)
- US_93000033 (3000K) (1000lm/m) (3m)
- US_93000034 (3500K) (1000lm/m) (3m)
- US_93000016 (2700K) (1000lm/m) (5m)
- US_93000017 (3000K) (1000lm/m) (5m)
- US_93000018 (3500K) (1000lm/m) (5m)
- US_93000035 (2700K) (2000lm/m) (3m)
- US_93000036 (3000K) (2000lm/m) (3m)
- US_93000037 (3500K) (2000lm/m) (3m)
- US_93000026 (2700K) (2000lm/m) (5m)
- US_93000027 (3000K) (2000lm/m) (5m)
- US_93000028 (3500K) (2000lm/m) (5m)

For conversion, meters to feet:

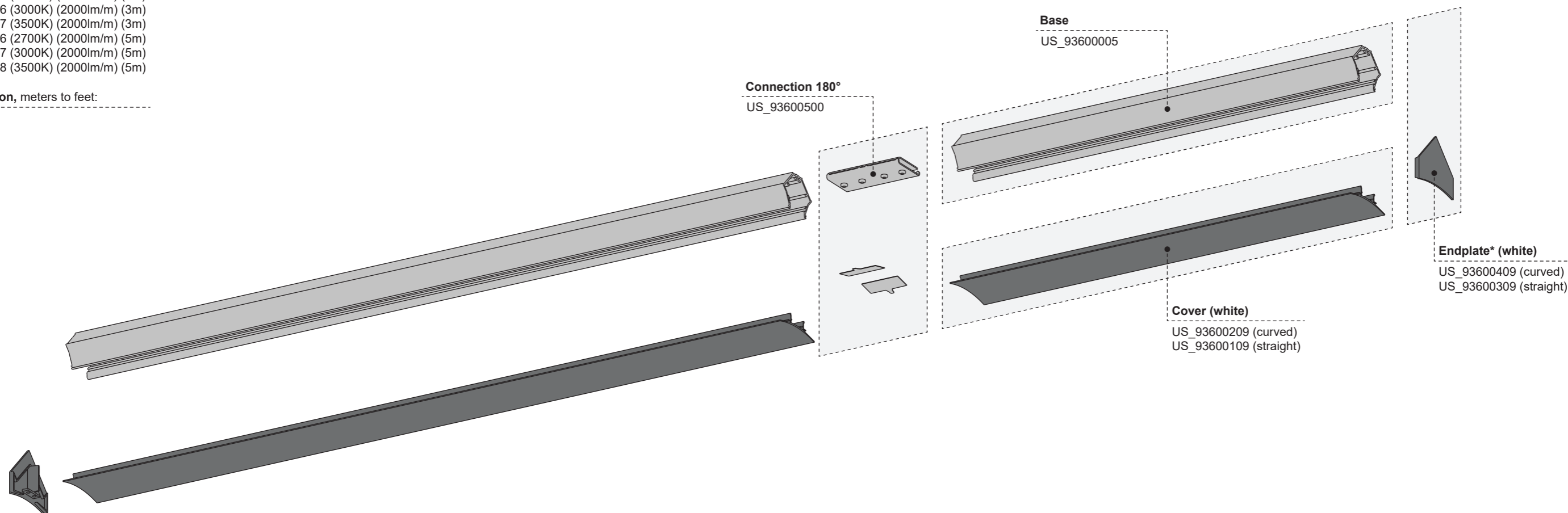
1m = 3.28ft

Curved design, choose:

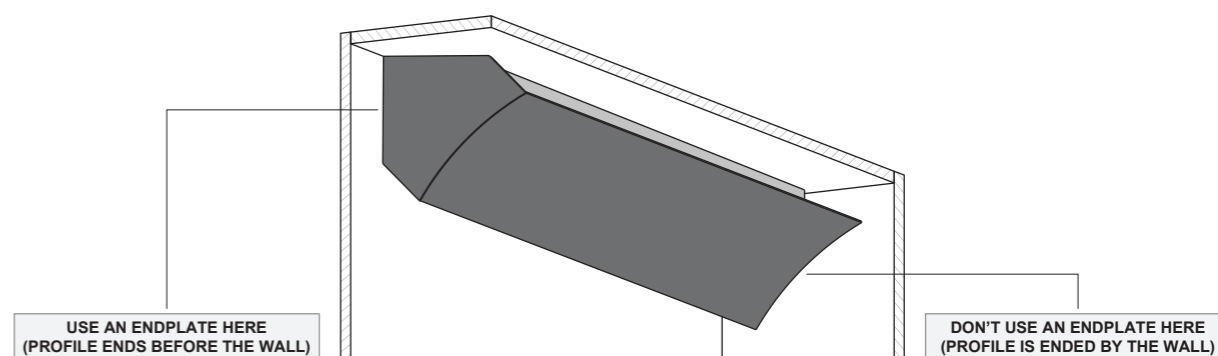
- Curved covers
- Curved endplates

Straight design, choose:

- Straight covers
- Straight endplates



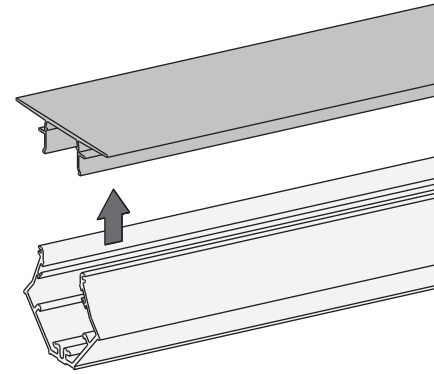
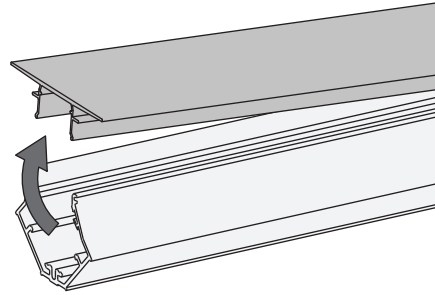
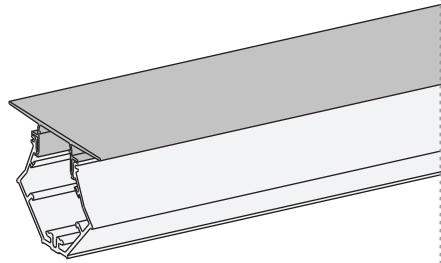
* the endplates are optional and only used if the profile ends before a wall (or ceiling):



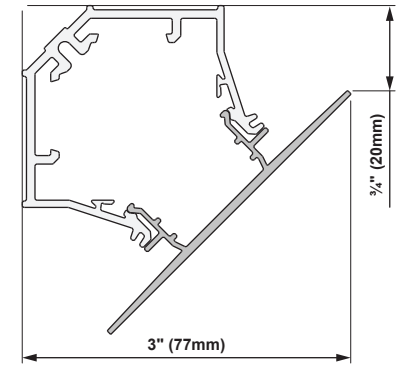
Como corner (preparation)

US_9360XXXX

Click the cover profile out of the base profile.



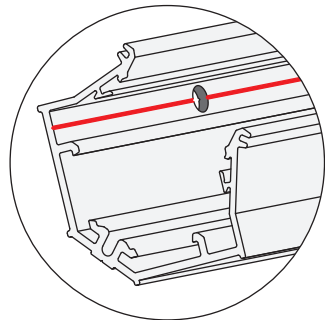
Dimensions, materials.



Prepare the base profile, drill the necessary holes (remove burrs after drilling).

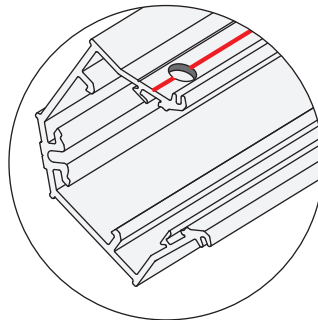
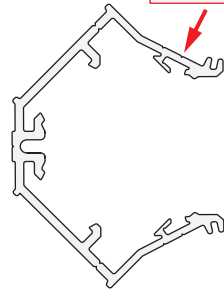
MOUNTING
maximum Ø 1/4" (6mm)

DRILL GUIDE



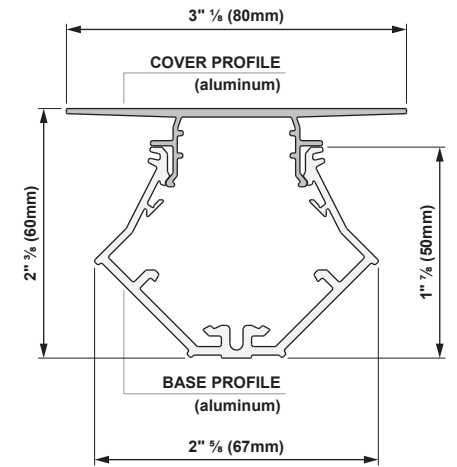
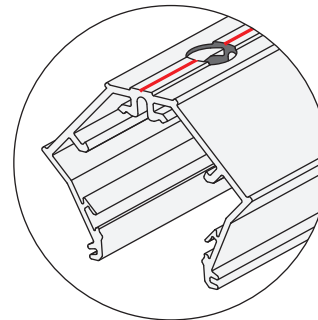
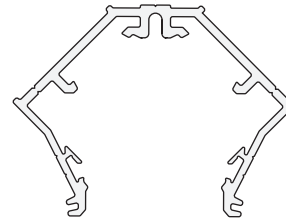
LED STRIP CABLE
maximum Ø 1/4" (6mm)

DRILL GUIDE



POWER SUPPLY
Ø 1/2" (12mm)

DRILL GUIDE

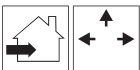


IMPORTANT SAFETY INSTRUCTIONS

- Read all instructions.
- Save these instructions and refer to them when additions or changes in the configuration are made.

LED STRIPS, POWER SUPPLIES & ACCESSORIES

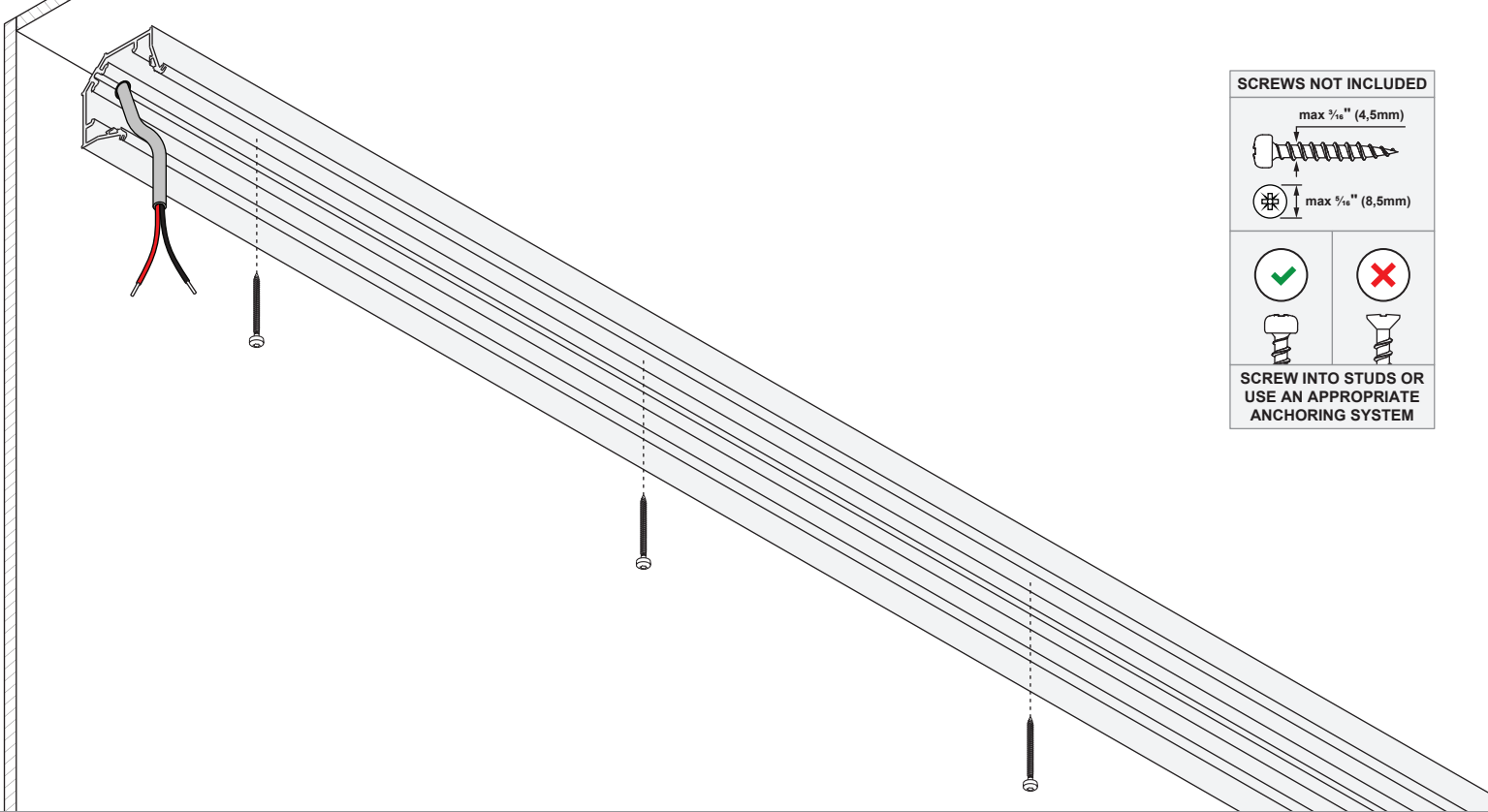
For latest version of available LED strips, power supplies & accessories check www.supermodular.us or connect with your sales contact.



Como corner (mount the base profile)

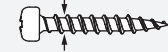
US_9360XXXX

Mount the base profile to the wall or ceiling.

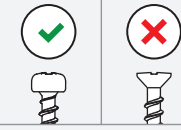


SCREWS NOT INCLUDED

max 3/16" (4,5mm)



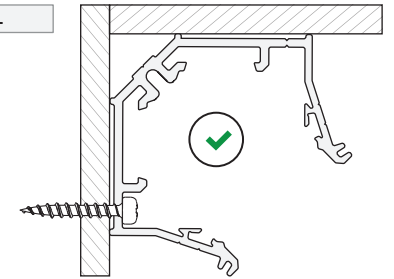
max 3/16" (8,5mm)



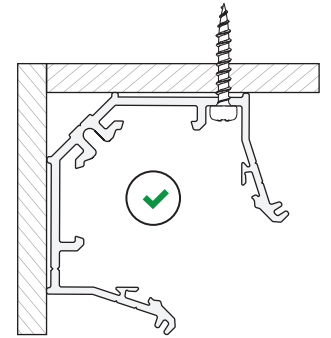
SCREW INTO STUDS OR
USE AN APPROPRIATE
ANCHORING SYSTEM

Fasteners, location.

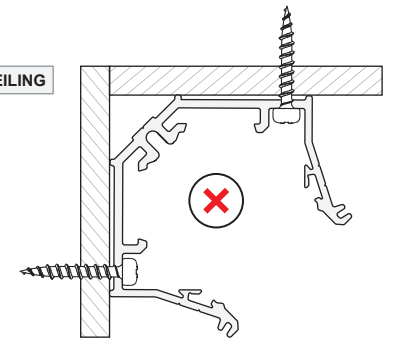
WALL



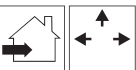
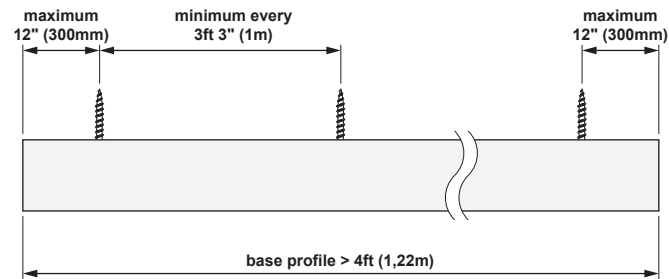
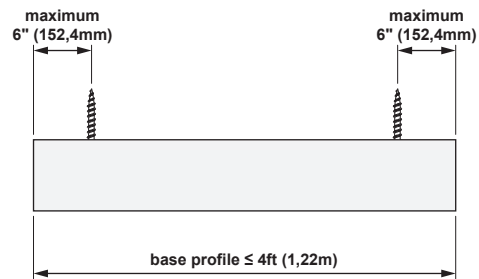
CEILING



WALL & CEILING



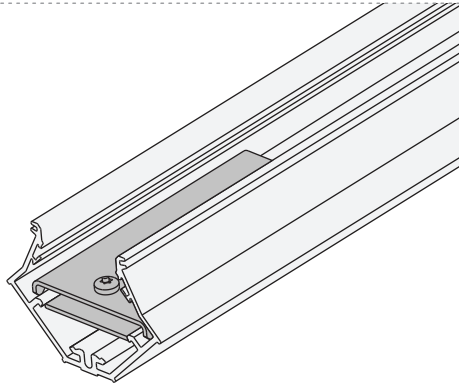
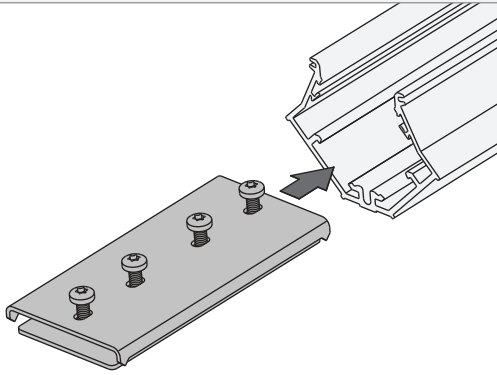
Fasteners, amount.



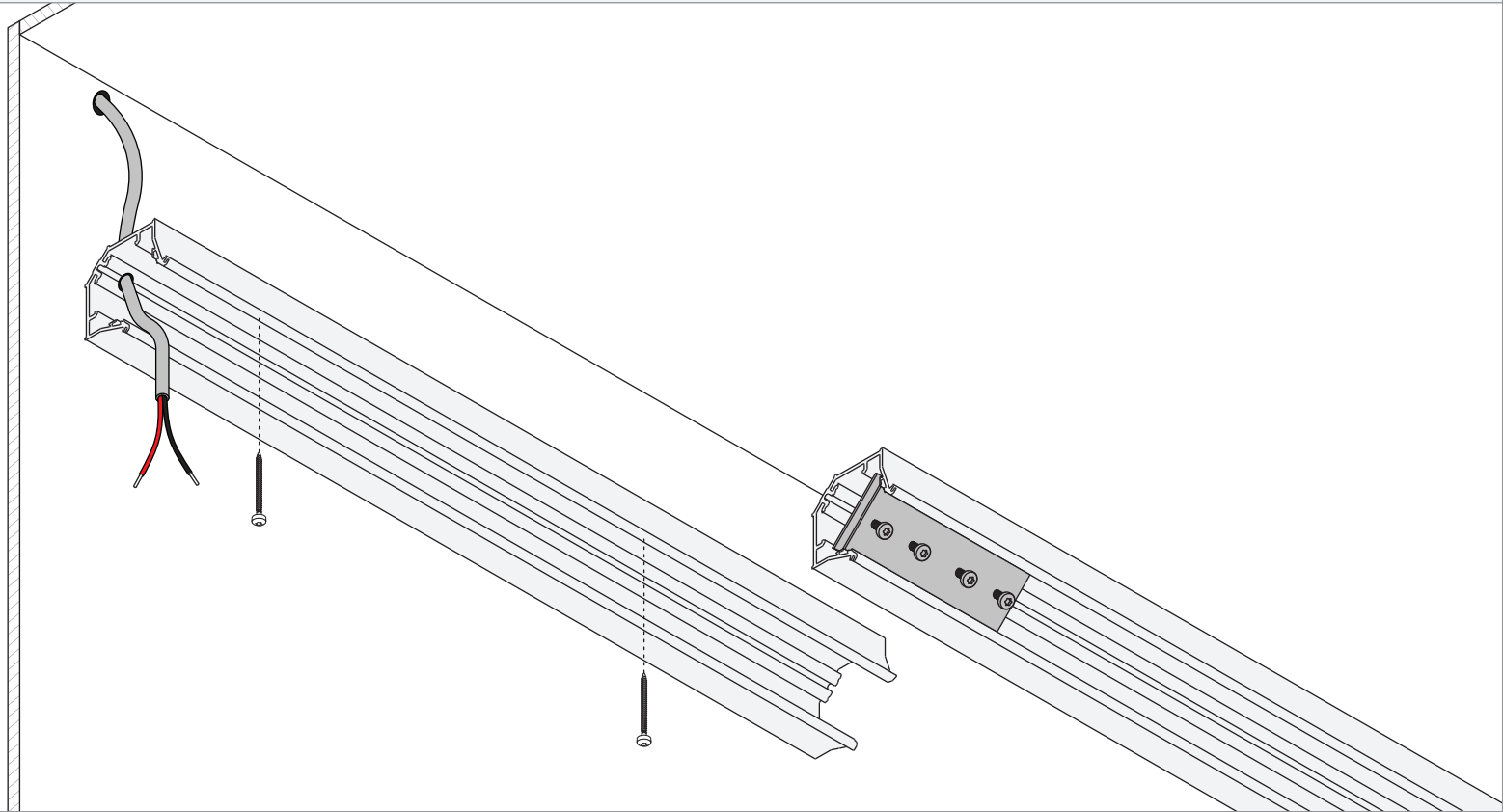
Como corner (mount the base profile - additional for 180° connection)

US_9360XXXX

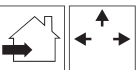
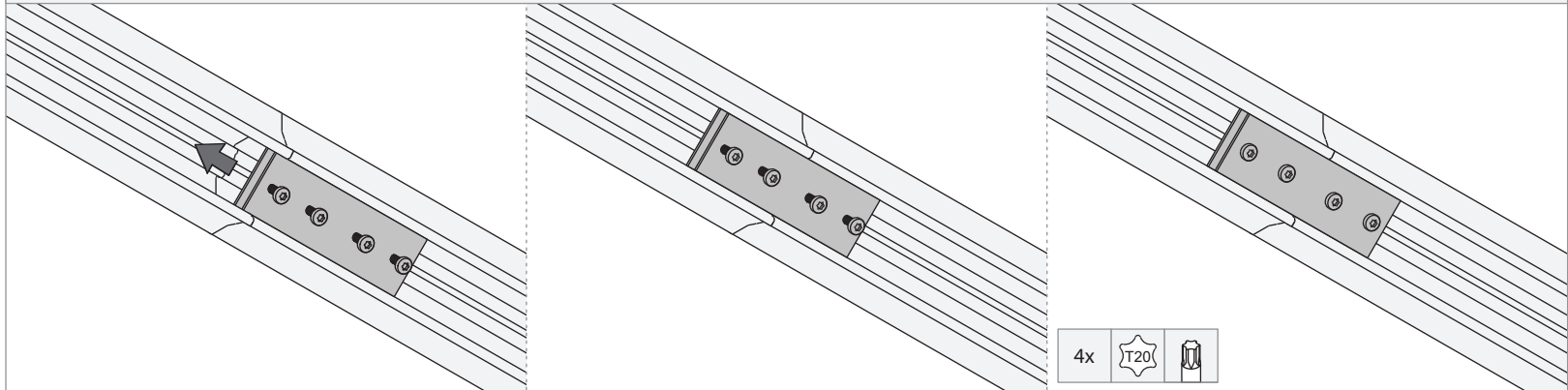
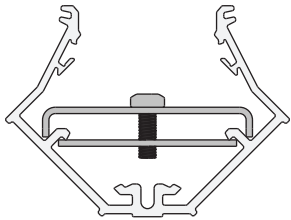
Place the connection bracket in the first base profile.



Mount the first base profile to the wall or ceiling. Align the second base profile with the first and mount the same way.



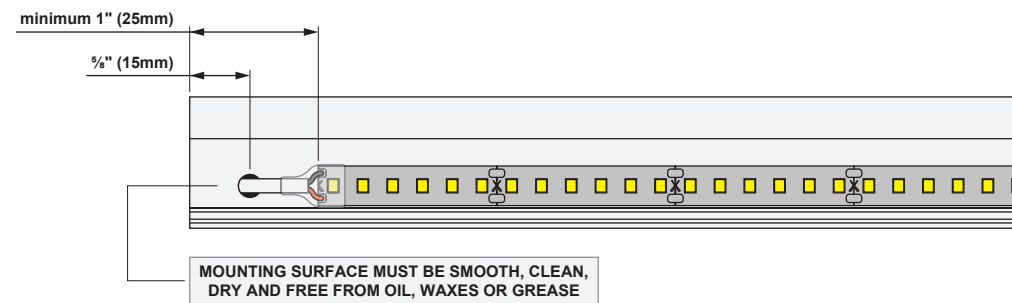
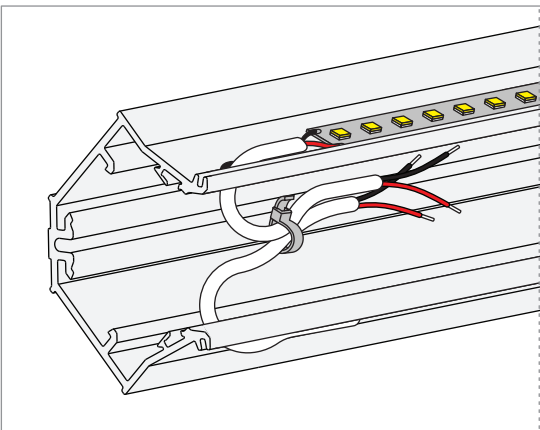
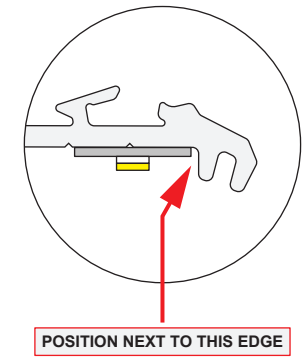
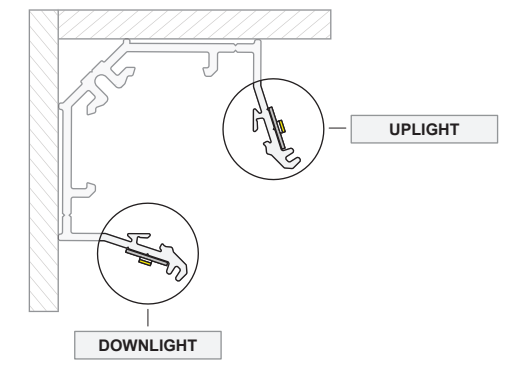
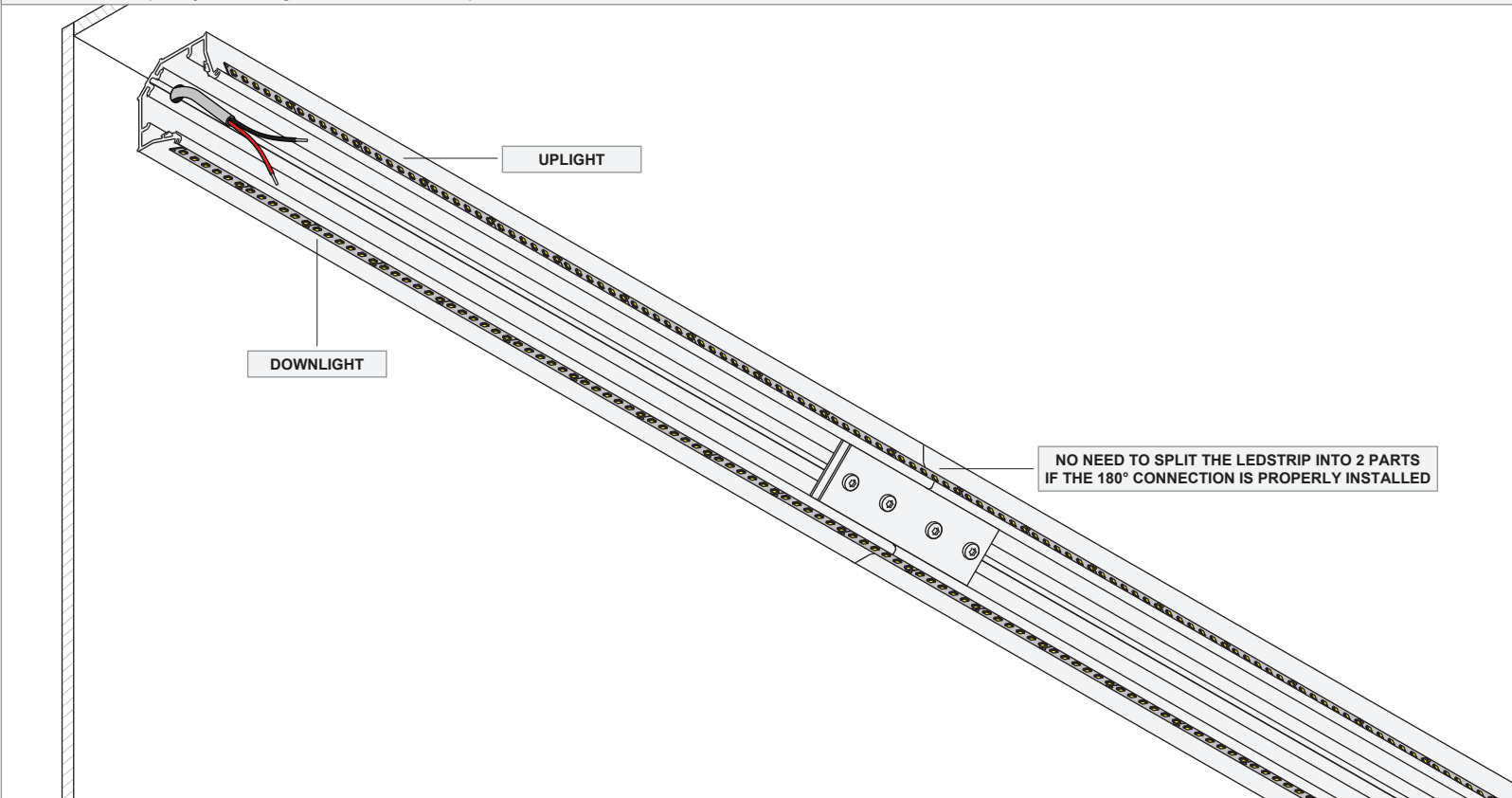
Slide the connection bracket over both profiles and tighten.



Como corner (LED strip)

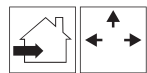
US_9360XXXX

Mount the LED strips only to the designated areas on the base profile.



⚠
SEE INDIVIDUAL LED STRIP
INSTALLATION INSTRUCTION
FOR ALL MECHANICAL FEATURES
(CUTTING, MOUNTING ...)

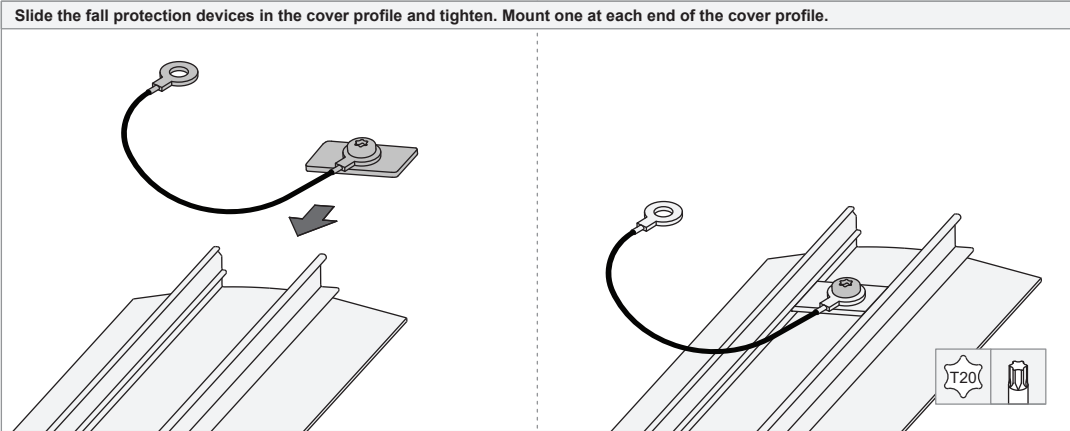
⚠
SEE INDIVIDUAL LED STRIP
INSTALLATION INSTRUCTION
FOR ALL ELECTRICAL FEATURES
(RATINGS, CONNECTIONS ...)



Como corner (attach the cover profile)

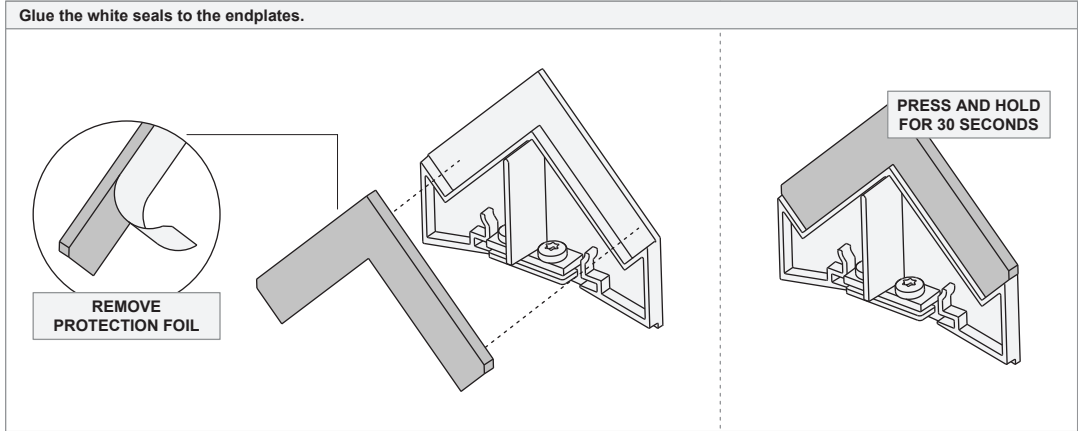
US_9360XXXX

Slide the fall protection devices in the cover profile and tighten. Mount one at each end of the cover profile.



T20

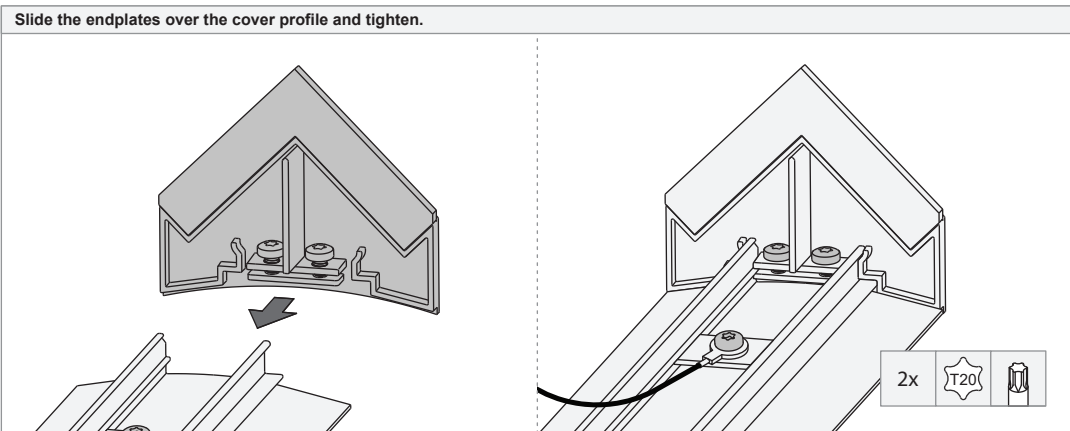
Glue the white seals to the endplates.



REMOVE PROTECTION FOIL

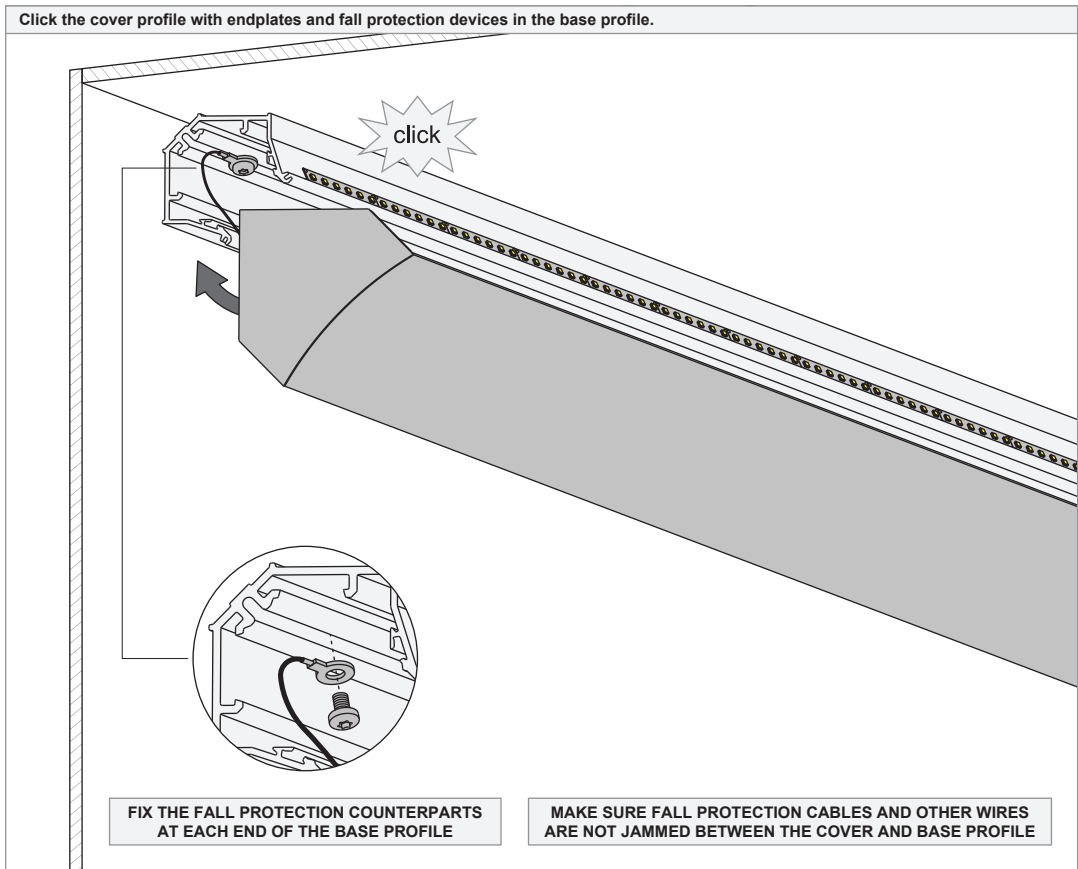
PRESS AND HOLD FOR 30 SECONDS

Slide the endplates over the cover profile and tighten.



2x T20

Click the cover profile with endplates and fall protection devices in the base profile.

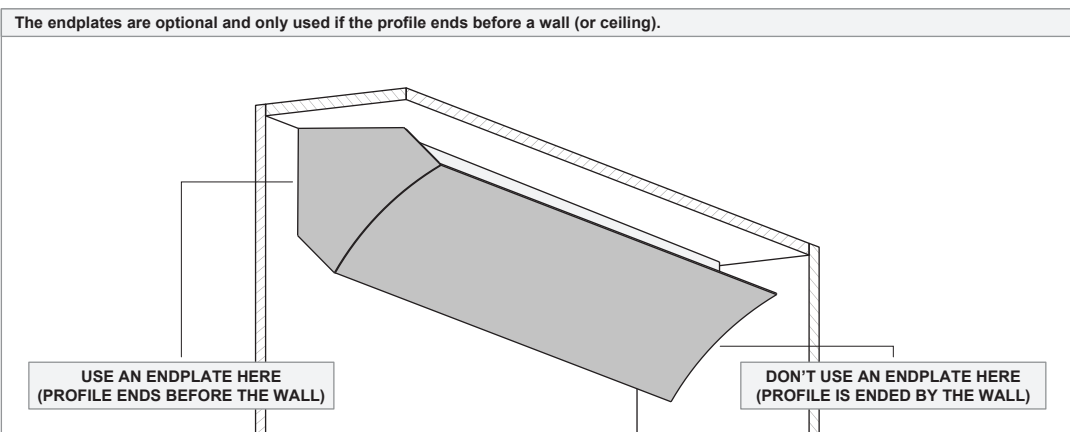


click

FIX THE FALL PROTECTION COUNTERPARTS AT EACH END OF THE BASE PROFILE

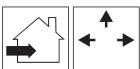
MAKE SURE FALL PROTECTION CABLES AND OTHER WIRES ARE NOT JAMMED BETWEEN THE COVER AND BASE PROFILE

The endplates are optional and only used if the profile ends before a wall (or ceiling).



USE AN ENDPLATE HERE (PROFILE ENDS BEFORE THE WALL)

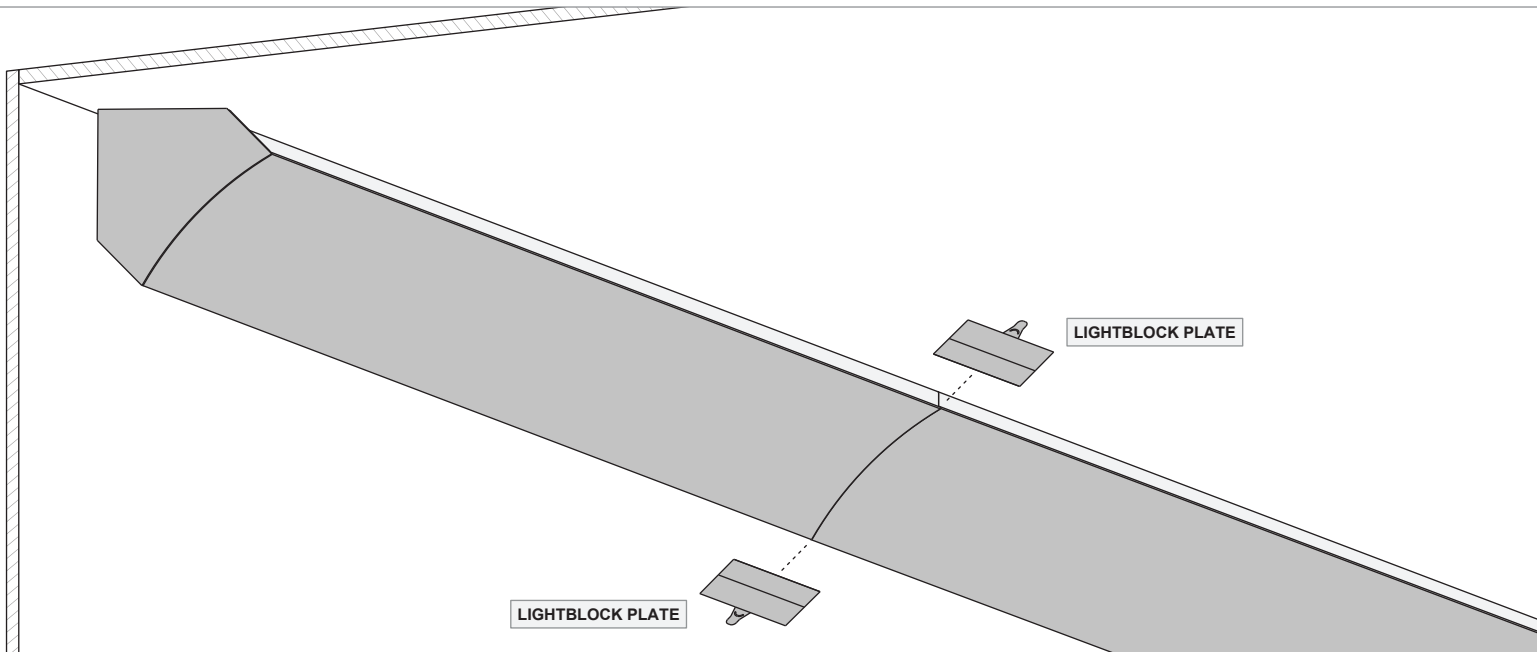
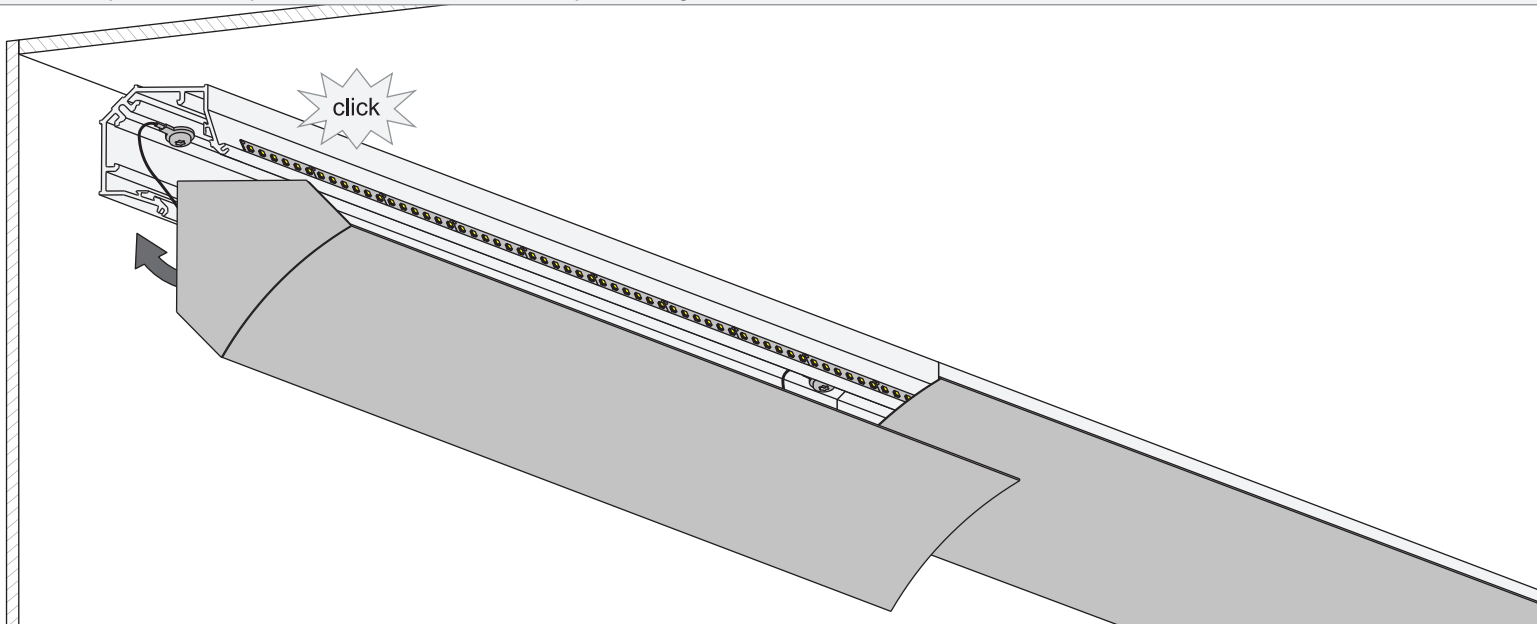
DON'T USE AN ENDPLATE HERE (PROFILE IS ENDED BY THE WALL)



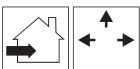
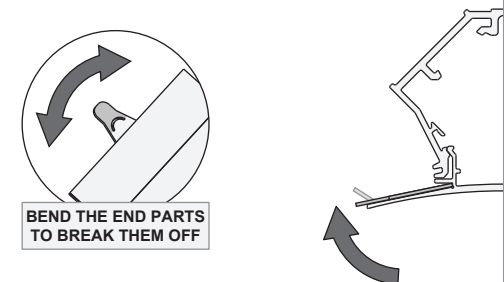
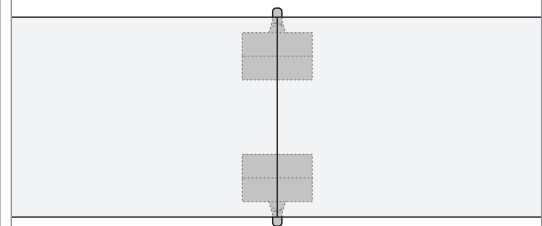
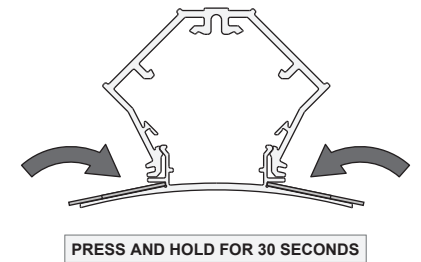
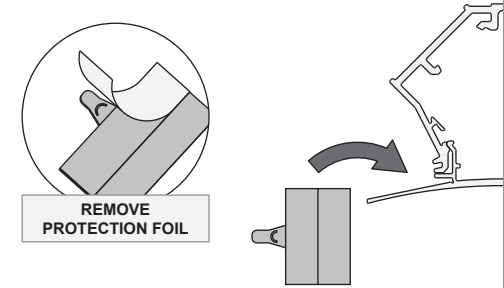
Como corner (attach the cover profile - additional for 180° connection)

US_9360XXXX

Click the first cover profile in the base profile. Click the second cover in the base profile and align with the first.



Attach the lightblock plates to the seam of the cover profiles.

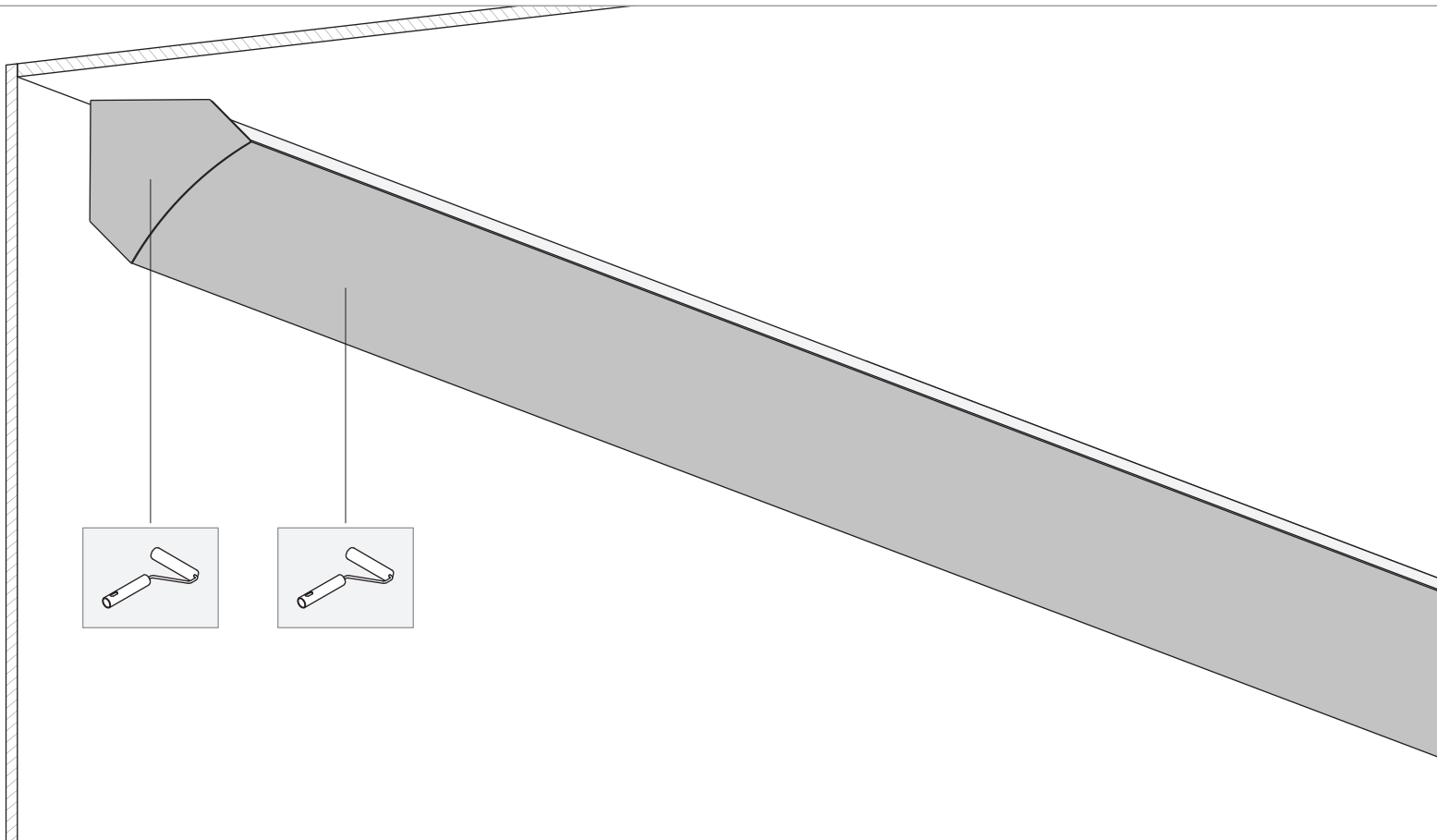


Como corner (paint instructions)

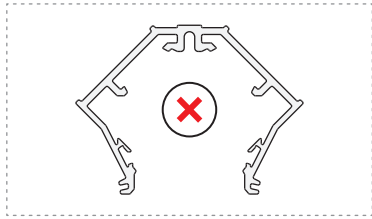
US_9360XXXX

The Como corner cover profiles and endplates can be painted by the client in the color of their choosing.

- HOW** It is simply a question of making the right preparations and using a primer which is compatible with the type of surface, in this case pre-treated aluminium.
- PREPARATION** First, the powdercoated (polyester based) aluminium must be sanded down with a fine abrasive material (e.g. Scotch Brite scrubber) and degreased with a powerful detergent. After this, it must be thoroughly rinsed with water to remove any residual degreaser.
- PRIMER** An adhesive primer has to be applied with a brush or roller. This type of paint provides excellent adhesion to non-porous materials, such as non-ferro metals, as well as powdercoated surfaces. No color pigments should be added to the primer because this may adversely affect the quality of the adhesion. Neither is it necessary to paint with this primer for hiding power. Both water-based and solvent-based primers can be used, the latter on a 'acrylate in solution' basis. The adhesive primer must be applied in the right conditions and left to dry according to the instructions of the paint manufacturer.
- PAINT** All sorts of conventional paints can be used as a finish for this primer (both water-based and solvent-based). As for primers on a 'acrylate in solution' basis, make sure not to use any paints that contain a similar solvent as the adhesive primer.



BASE PROFILE - DO NOT PAINT



COVER PROFILE - DO NOT PAINT THIS AREA

