



# SLD35

INSTALLATION INSTRUCTIONS

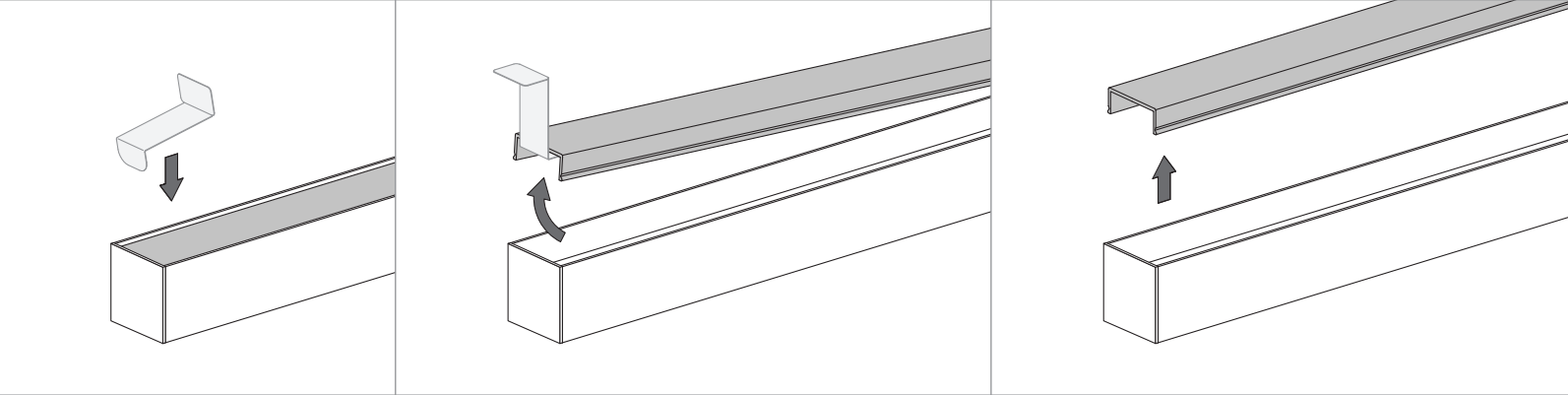


**MODULAR**  
LIGHTING —  
INSTRUMENTS

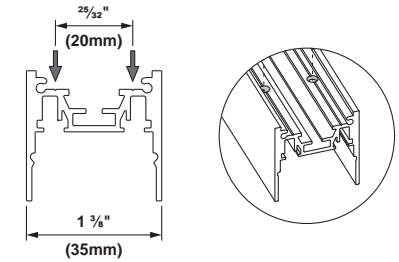
# SLD 35 (preparation)

US\_9346XXXX\_US\_9347XXXX

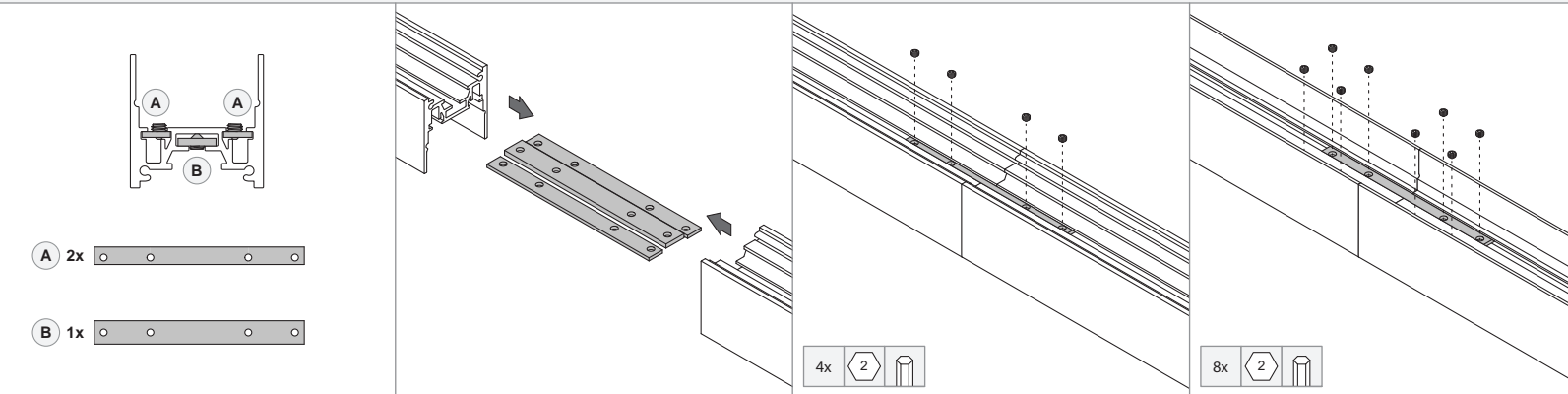
Click the PMMA diffuser out of the aluminum base profile (profile opening tool included).



Drill mounting holes in the base profile (surface installation only).



Make the 180° connections (optional).



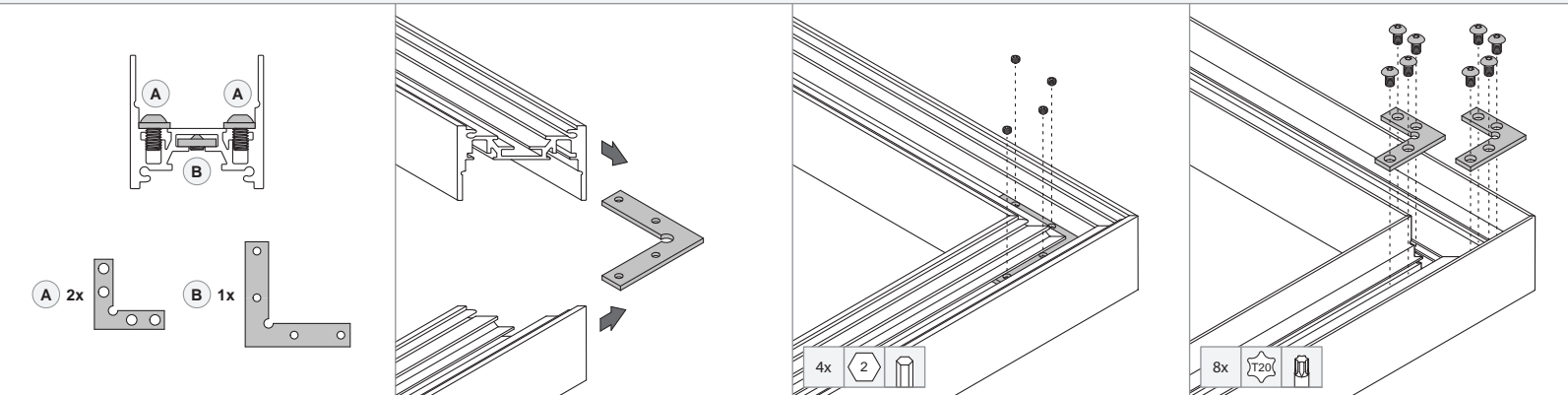
PROFILE SECTION (LENGTH)	MOUNTING HOLES (MINIMUM AMOUNT)
< 2m	2
2m - 3m	3
3m - 4m	4

for conversion, meters to feet: 1m = 3.28ft

mounting holes: maximum Ø 3/16" (5mm)

ⓘ Mounting holes can be milled by Modular Lighting Instruments. Check [www.supermodular.com](http://www.supermodular.com) or connect with your sales contact.

Make the 90° connections (optional).



## INSTALLATION INSTRUCTION

- Read all instructions.
- Save these instructions.

### BASIC SAFETY PRECAUTIONS

- Suitable for damp locations.

### PREVENTING ELECTROSTATIC DAMAGE



A discharge of static electricity may damage sensitive components. Always be properly grounded when touching leads or circuitry inside the luminaire. Use a wrist strap connected by a ground cord to the housing. Avoid touching the light sources with bare hands.

### PMMA DIFFUSER



Local conditions (e.g. heat, humidity...) can lead to expansion of the diffuser. Therefore it may be necessary to shorten the diffuser on site.

### POWER SUPPLIES & ACCESSORIES

For latest version of all power supplies and available accessories check [www.supermodular.com](http://www.supermodular.com) or connect with your sales contact.

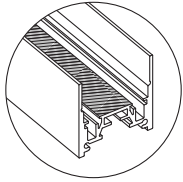
# SLD 35 (LED strip)

US\_9346XXXX\_US\_9347XXXX

## Before mounting the LED strip.

The LED strip mounting surface must be smooth, clean, dry and free from oil, waxes or grease.

Apply a thin, uniform coat of 3M Primer 94 (tape primer) or equivalent on the surface of the profile where the LED strip will be mounted. Wait at least 5 minutes before mounting the LED strip.

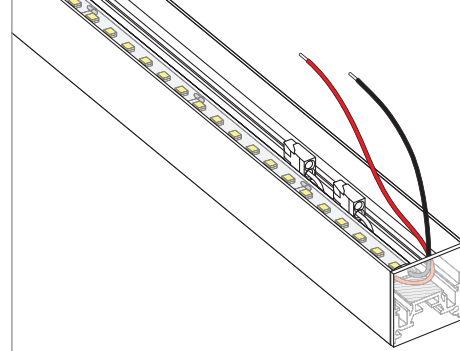
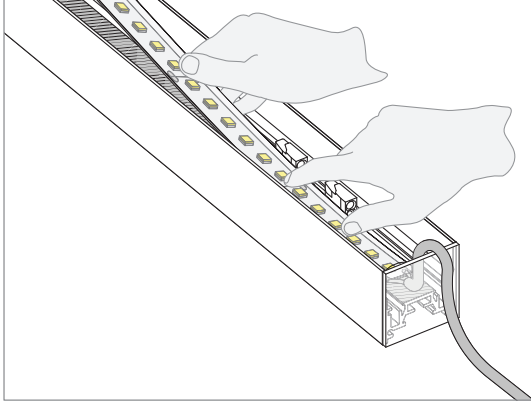


See individual LED strip installation instructions for electrical features (electrical ratings, connections...) and mechanical features (cutting, mounting...).

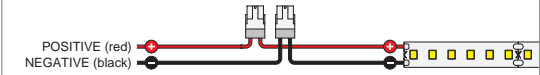
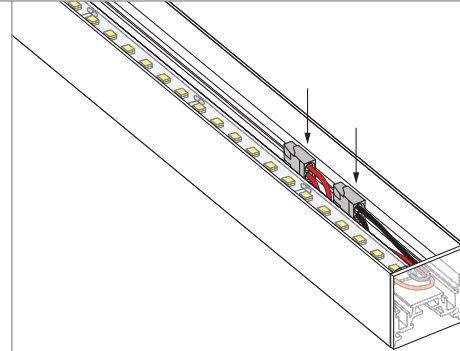
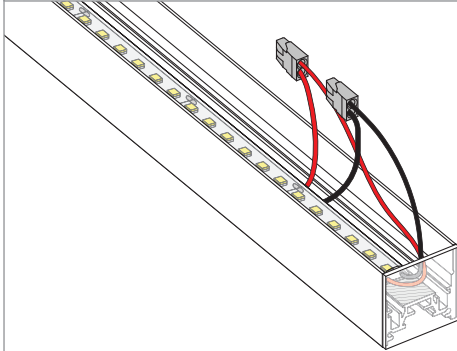


LED strips can be mounted by Modular Lighting Instruments. Check [www.supermodular.com](http://www.supermodular.com) or connect with your sales contact.

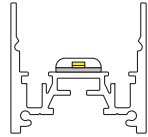
## Mount the LED strip, remove the cable sleeve and add the wire pins.



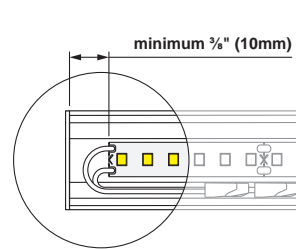
## Add the wires to the connectors and push the connectors back in the profile.



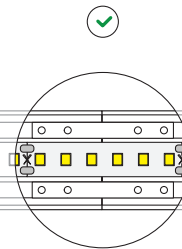
## LED strip mounting surface.



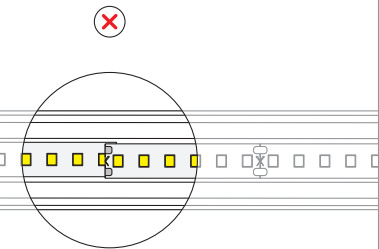
## Notes.



Respect minimum distance between LED strip and endplate.



LED strip may run over 180° connections.

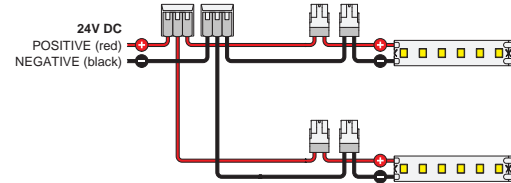
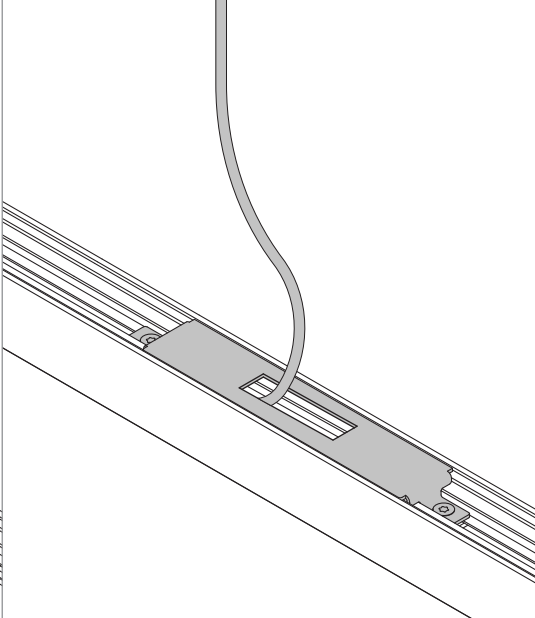
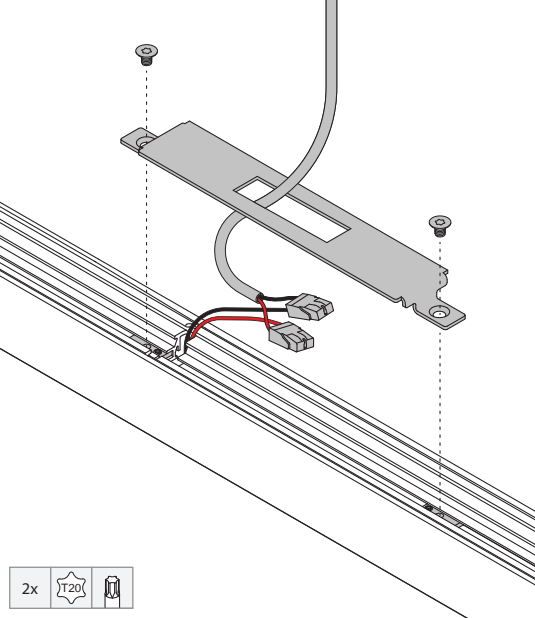


Multiple LED strips may not overlap.

# SLD 35 surface

US\_9346XXXX\_US\_9347XXXX

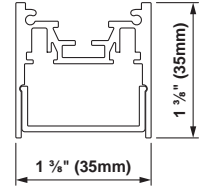
## Make the supply connection.



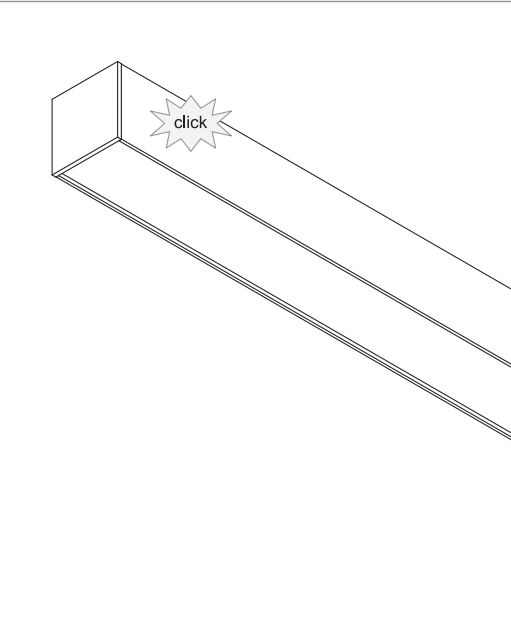
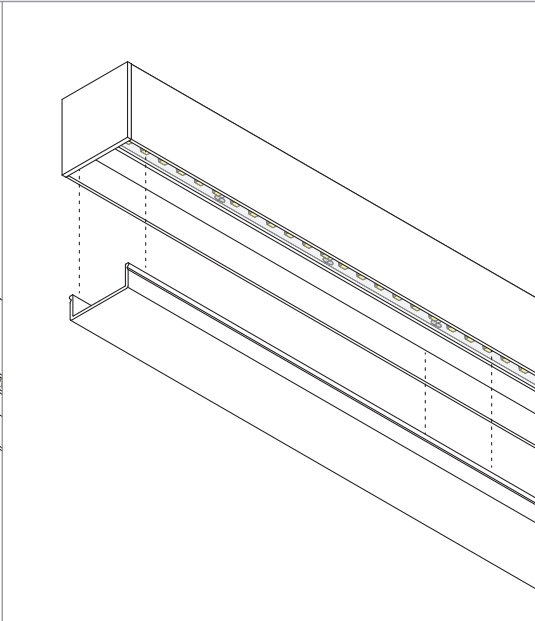
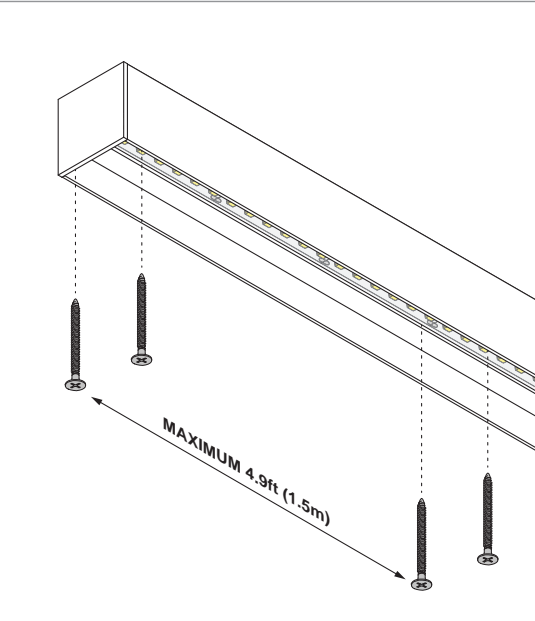
**!** Make sure power is off when making or changing electrical connections. Respect the polarity. Always use a parallel connection for multiple luminaires on a single power unit. Use only with a class 2 power unit.

2x

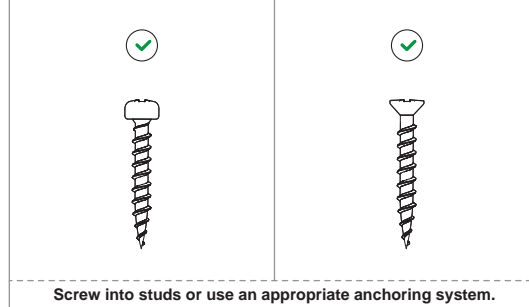
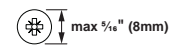
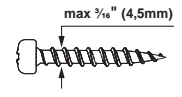
## Dimensions.



## Mount the base profile with LED strip and add the diffuser.



## Mounting screws (not included).



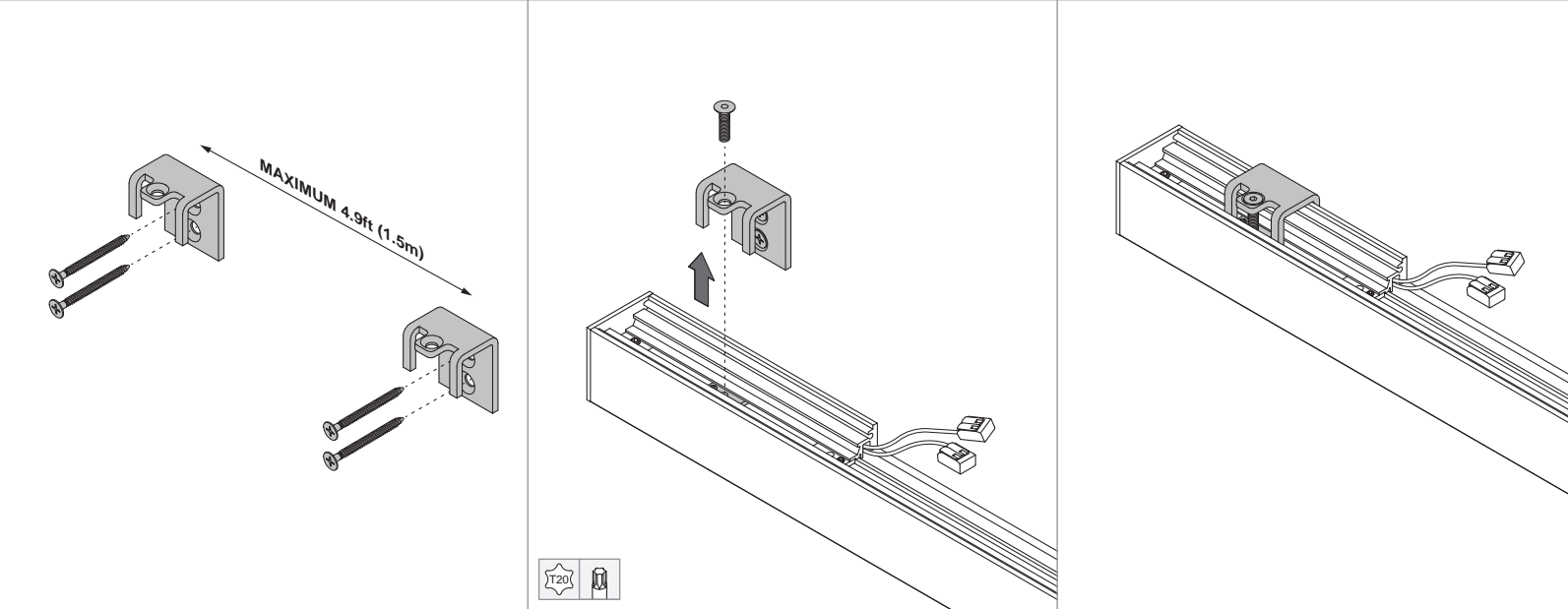
Screw into studs or use an appropriate anchoring system.



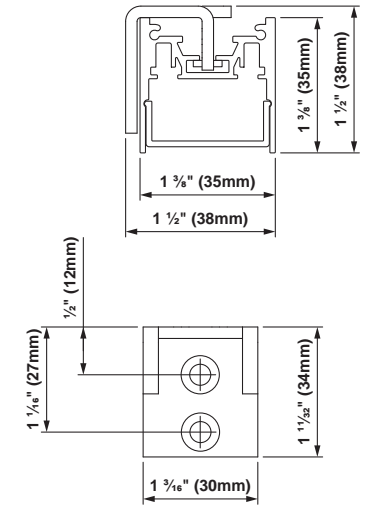
# SLD 35 wall

US\_9346XXXX\_US\_9347XXXX

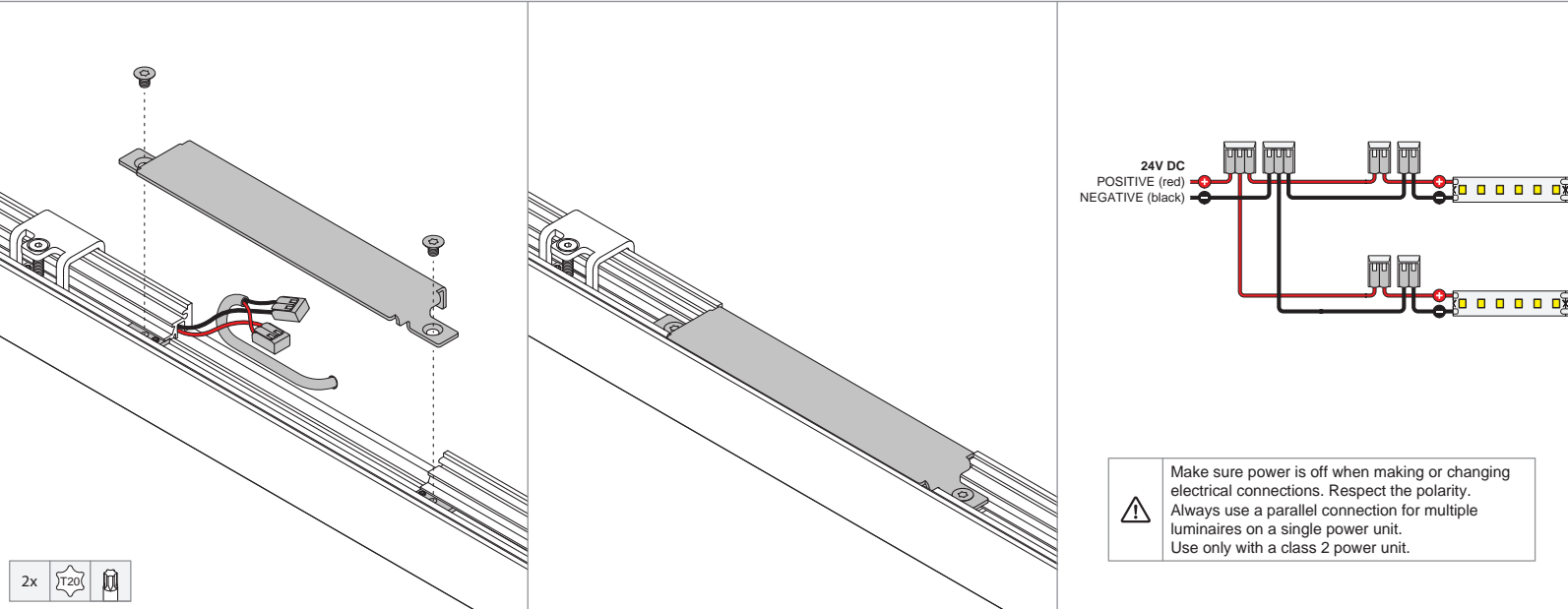
## Mount the base profile with LED strip and diffuser.



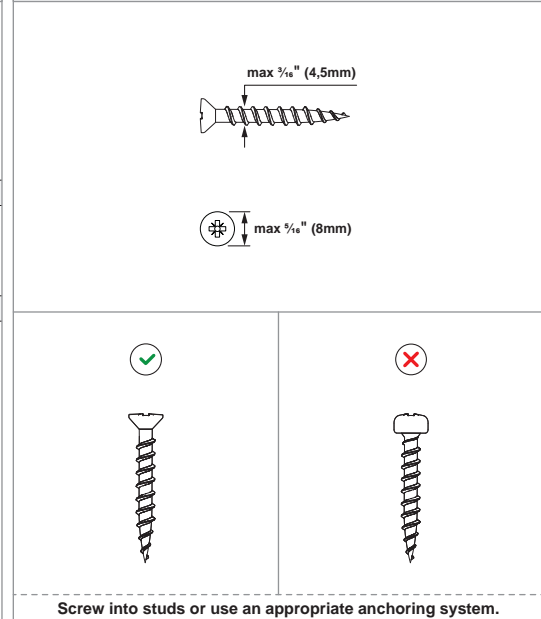
## Dimensions.



## Make the supply connection.



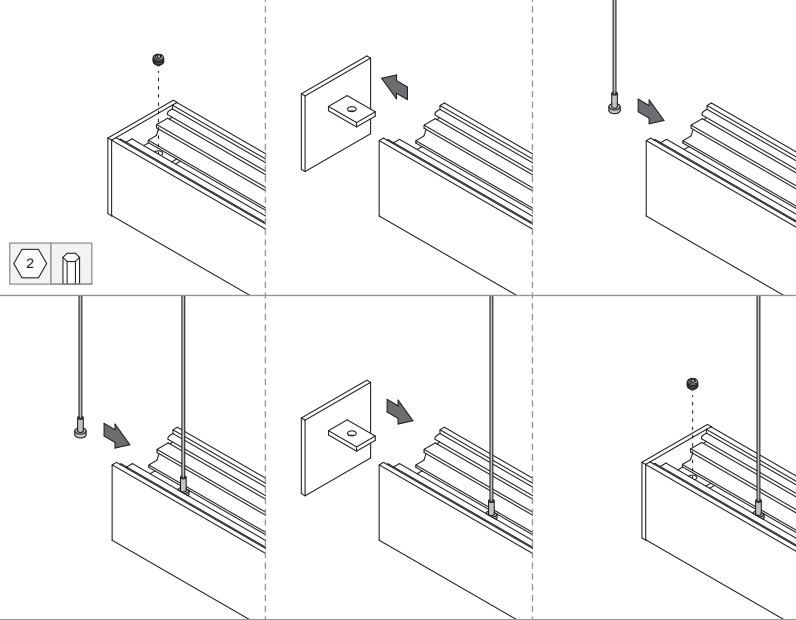
## Mounting screws (not included).



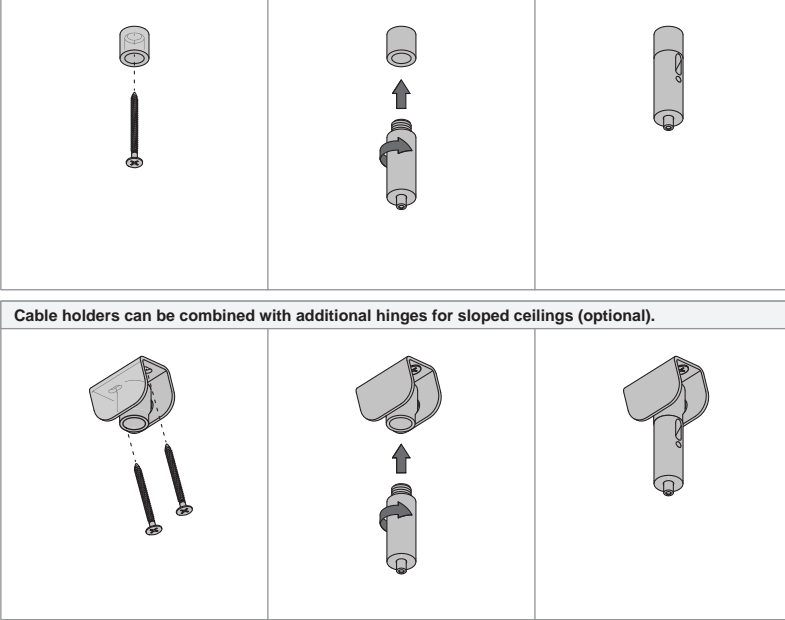
# SLD 35 suspended (1/2)

US\_9346XXXX\_US\_9347XXXX

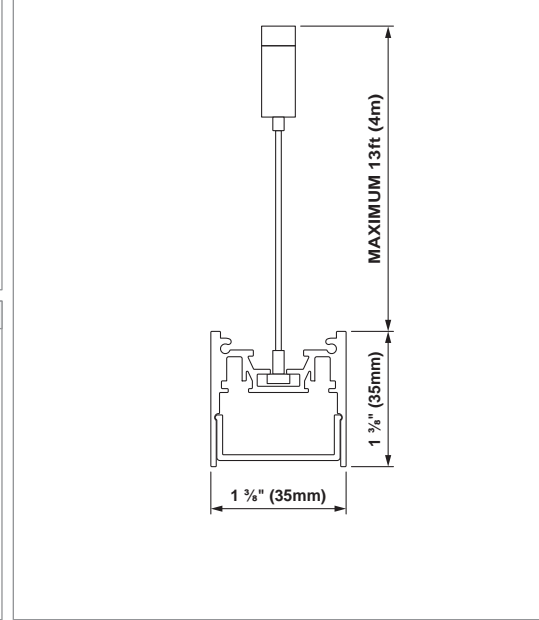
## Add the steel cables to the profile.



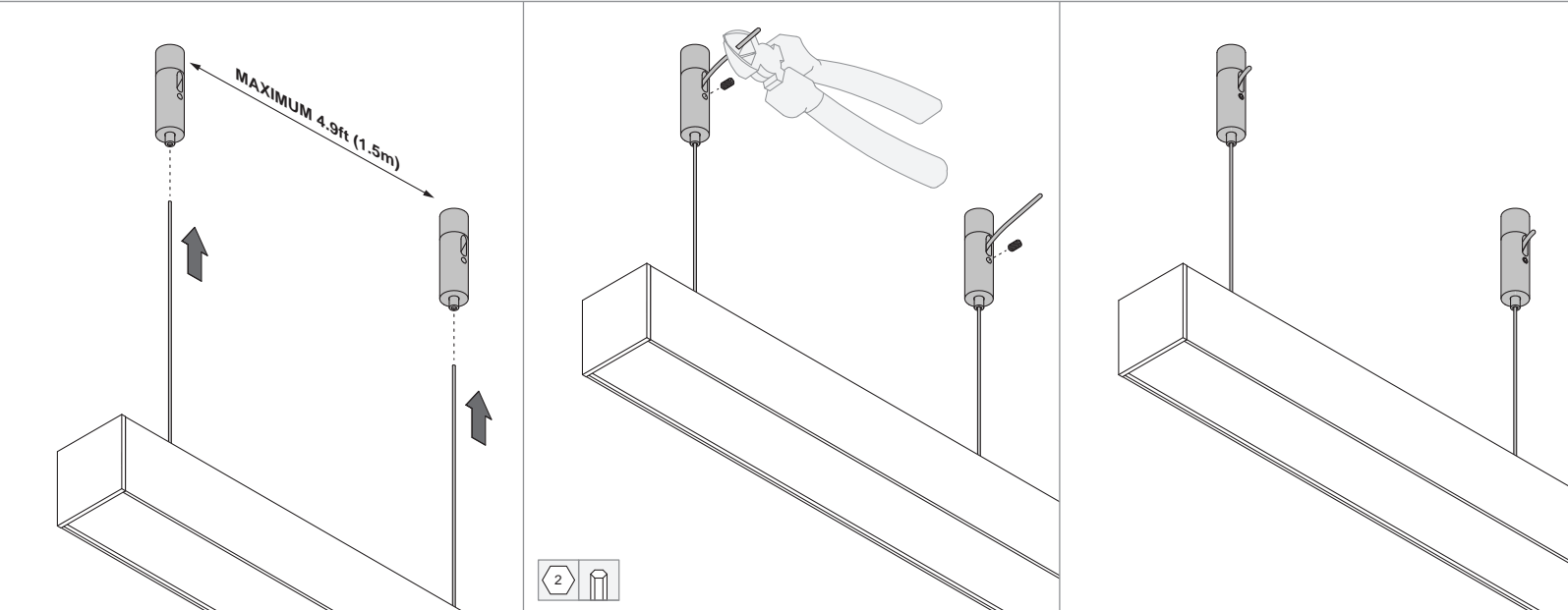
## Mount the cable holders to the ceiling.



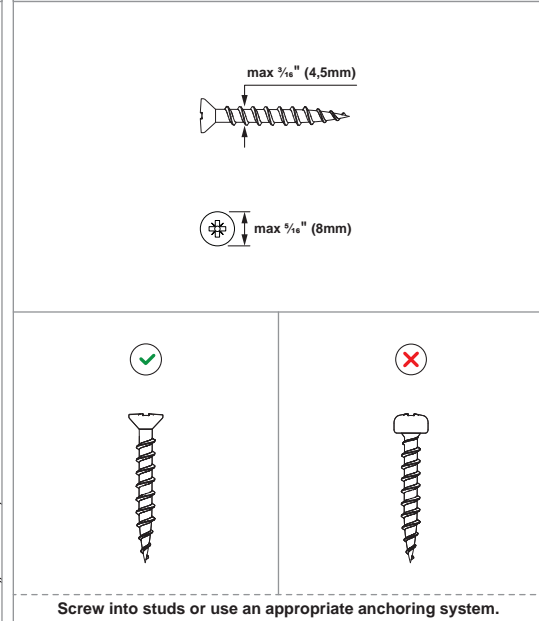
## Dimensions.



## Mount the base profile with LED strip and diffuser.



## Mounting screws (not included).

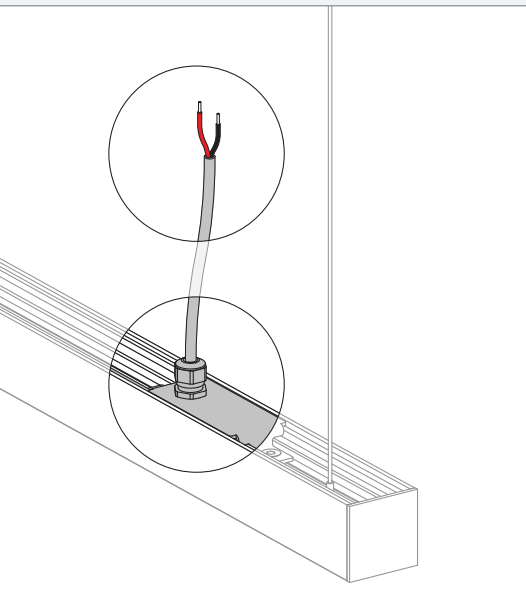


Screw into studs or use an appropriate anchoring system.

# SLD 35 suspended (2/2)

US\_9346XXXX\_US\_9347XXXX

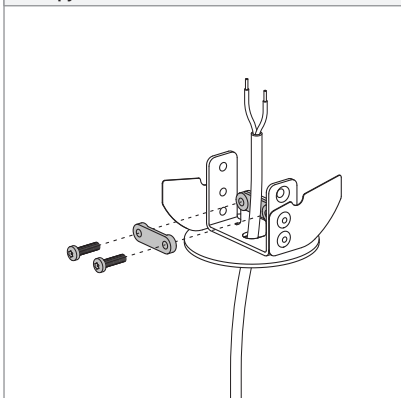
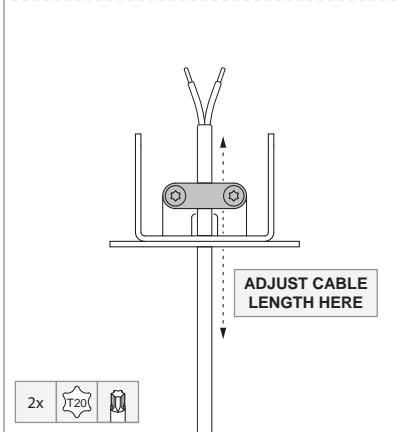
**Power cable.**





Connect the power cable directly to a surface mounted power supply, or add the canopy to connect to a remote power supply.

Do not disconnect the power cable from the cable gland. Do not disconnect the cable gland from the base profile.

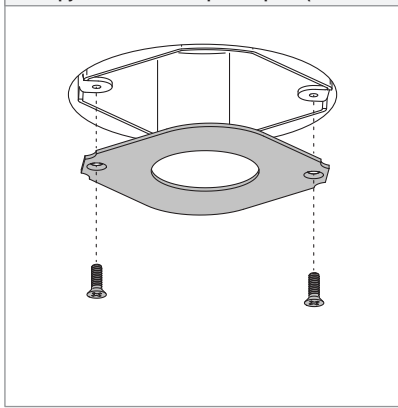
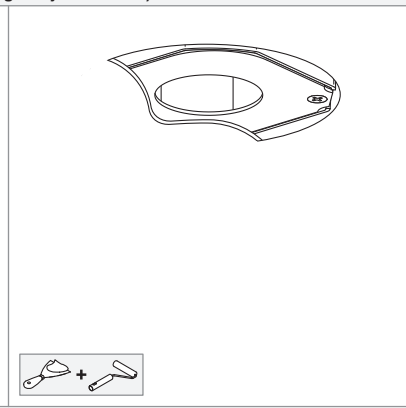
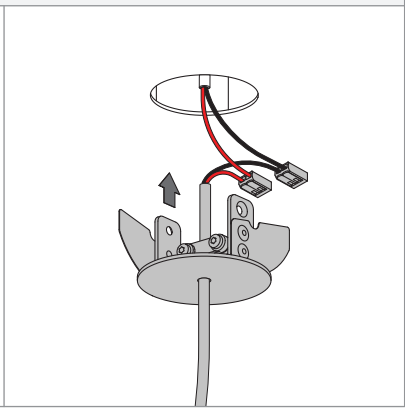
**Canopy strain relief.**






ADJUST CABLE LENGTH HERE

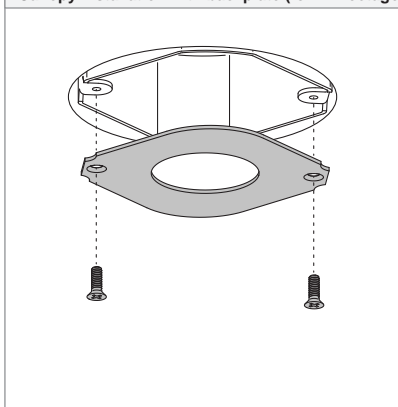
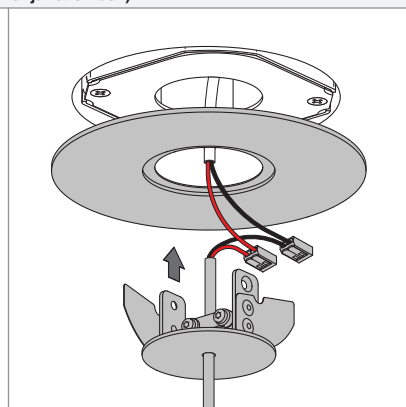
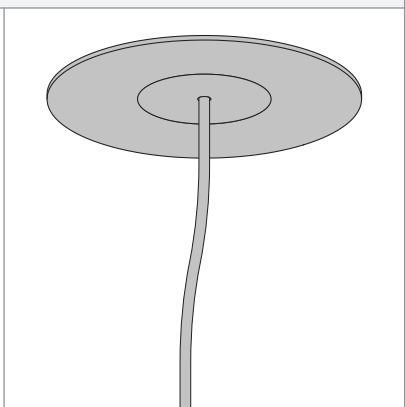
2x  

**Canopy installation with plaster plate (for 4x4 octagonal junction box).**

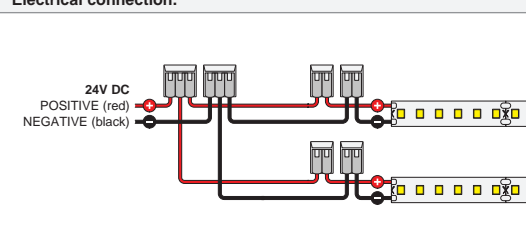




 + 

**Canopy installation with backplate (for 4x4 octagonal junction box).**

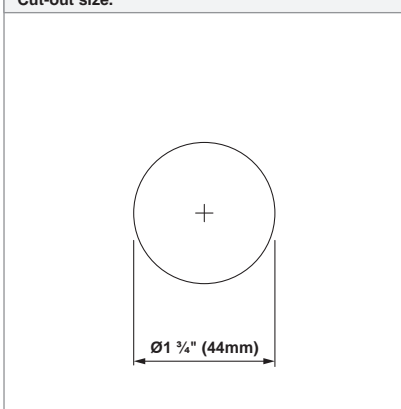
**Electrical connection.**



24V DC  
POSITIVE (red)  
NEGATIVE (black)

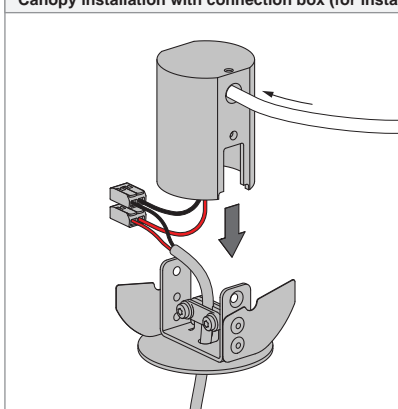
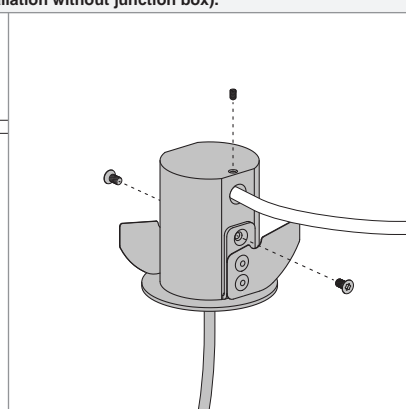
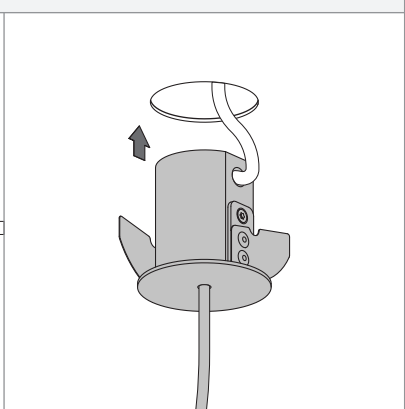
Make sure power is off when making or changing electrical connections. Respect the polarity. Always use a parallel connection for multiple luminaires on a single power unit. Use only with a class 2 power unit.

**Cut-out size.**



Ø1 3/4" (44mm)

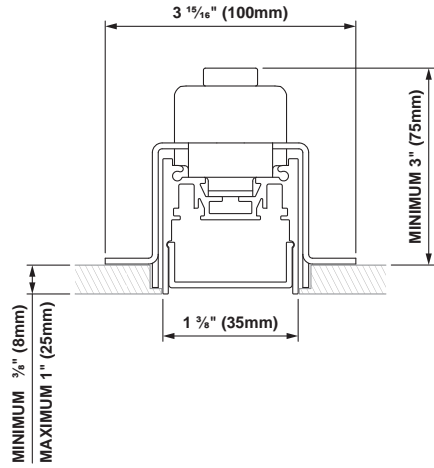
**Canopy installation with connection box (for installation without junction box).**

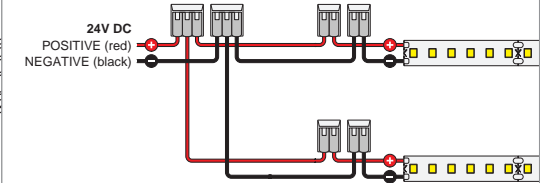
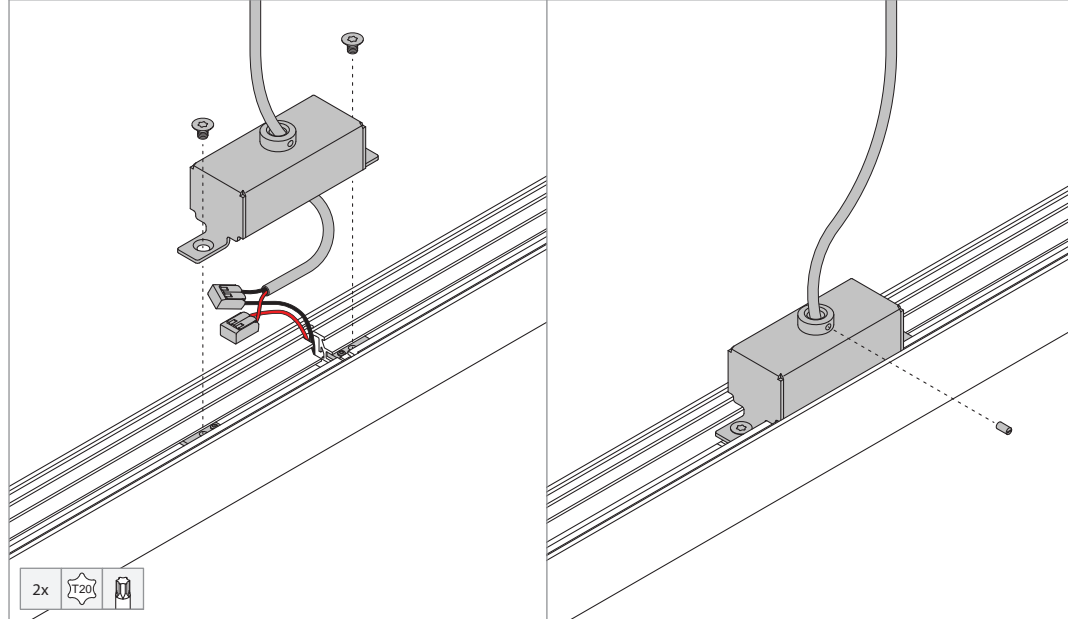
# SLD 35 recessed trimless

US\_9346XXXX\_US\_9347XXXX

## Dimensions.



## Make the supply connection.



**⚠** Make sure power is off when making or changing electrical connections. Respect the polarity. Always use a parallel connection for multiple luminaires on a single power unit. Use only with a class 2 power unit.

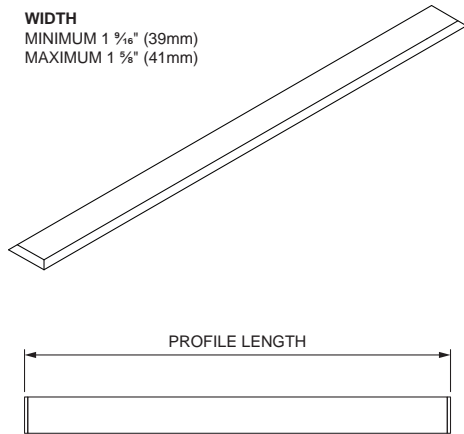
2x

## Cut-out size.

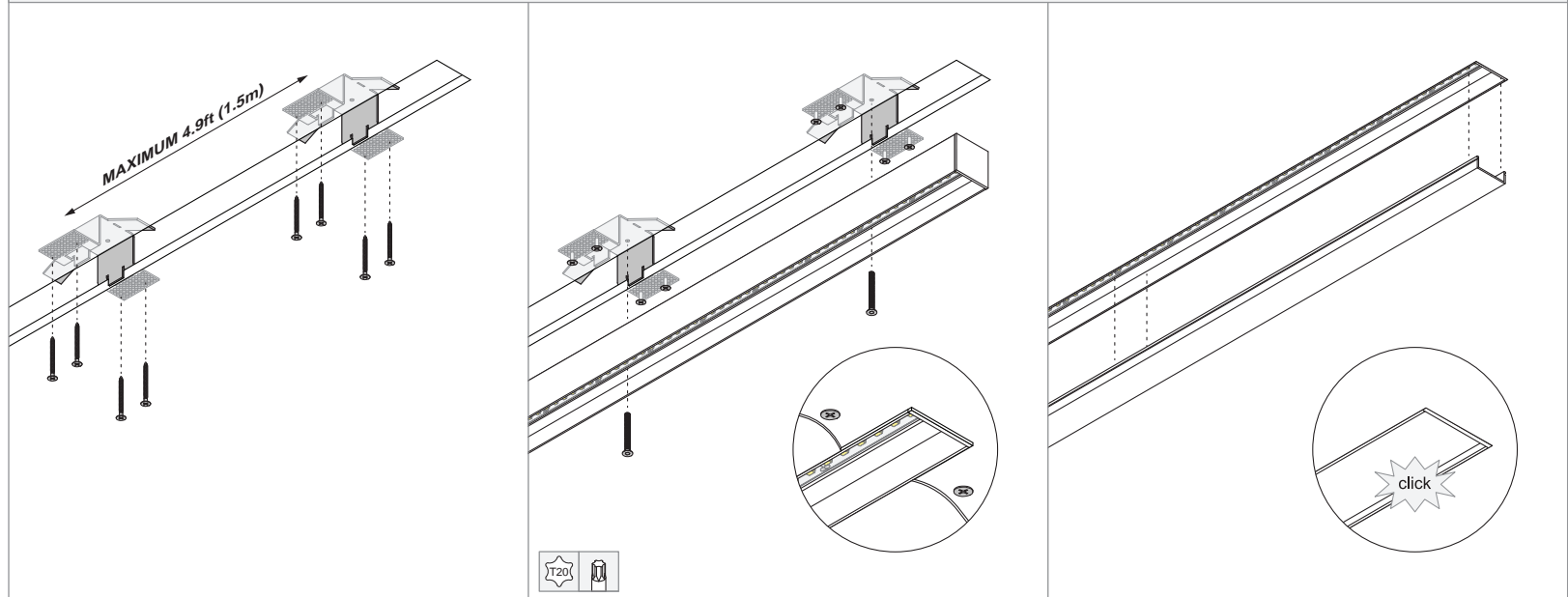
### ACCESS ABOVE CEILING REQUIRED

**LENGTH**  
PROFILE LENGTH +  $\frac{3}{16}''$  (4mm)

**WIDTH**  
MINIMUM  $1 \frac{3}{16}''$  (39mm)  
MAXIMUM  $1 \frac{5}{8}''$  (41mm)



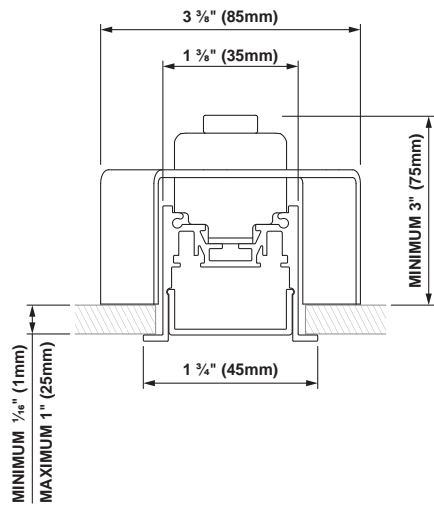
## Mount the base profile with LED strip, finish the ceiling and add the diffuser.



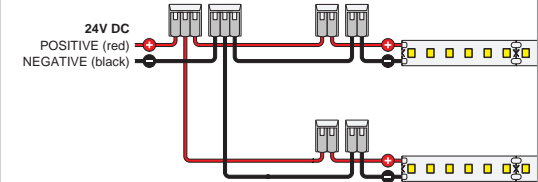
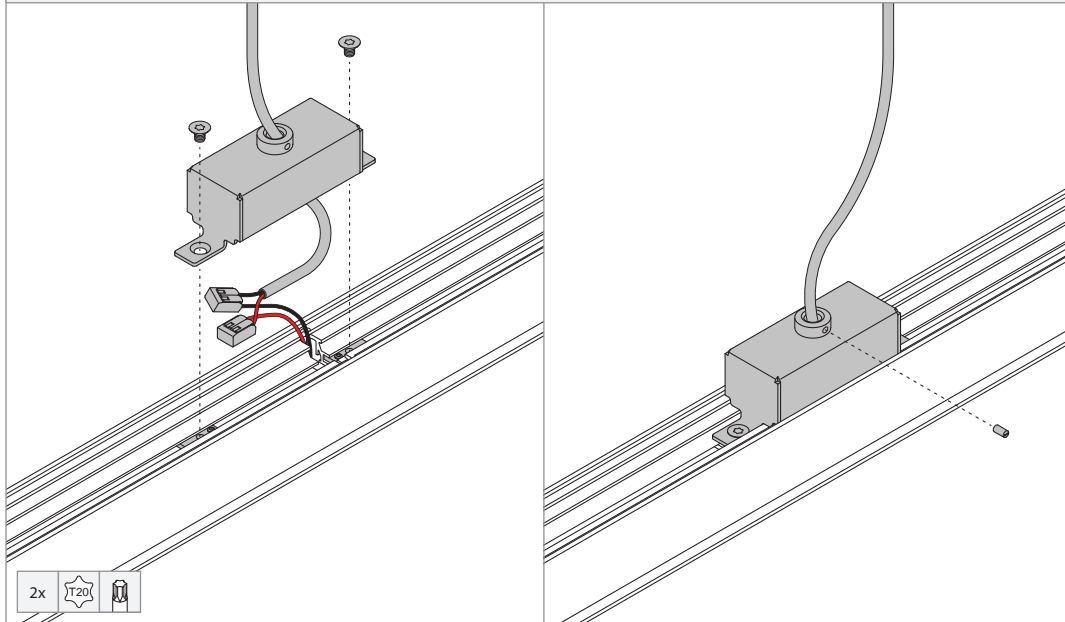
# SLD 35 recessed flange

US\_9346XXXX\_US\_9347XXXX

## Dimensions.



## Make the supply connection.



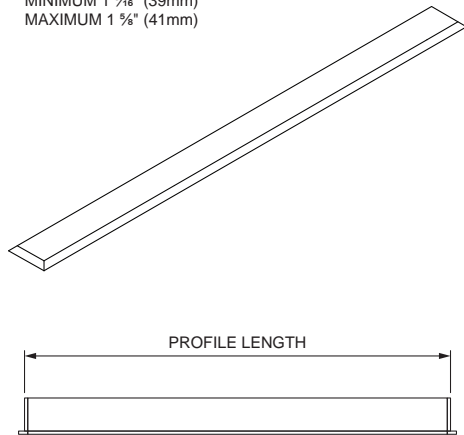
**⚠** Make sure power is off when making or changing electrical connections. Respect the polarity. Always use a parallel connection for multiple luminaires on a single power unit. Use only with a class 2 power unit.



## Cut-out size.

**LENGTH**  
PROFILE LENGTH + 3/16" (4mm)

**WIDTH**  
MINIMUM 1 3/16" (39mm)  
MAXIMUM 1 1/8" (41mm)



## Mount the base profile with LED strip and add the diffuser.

