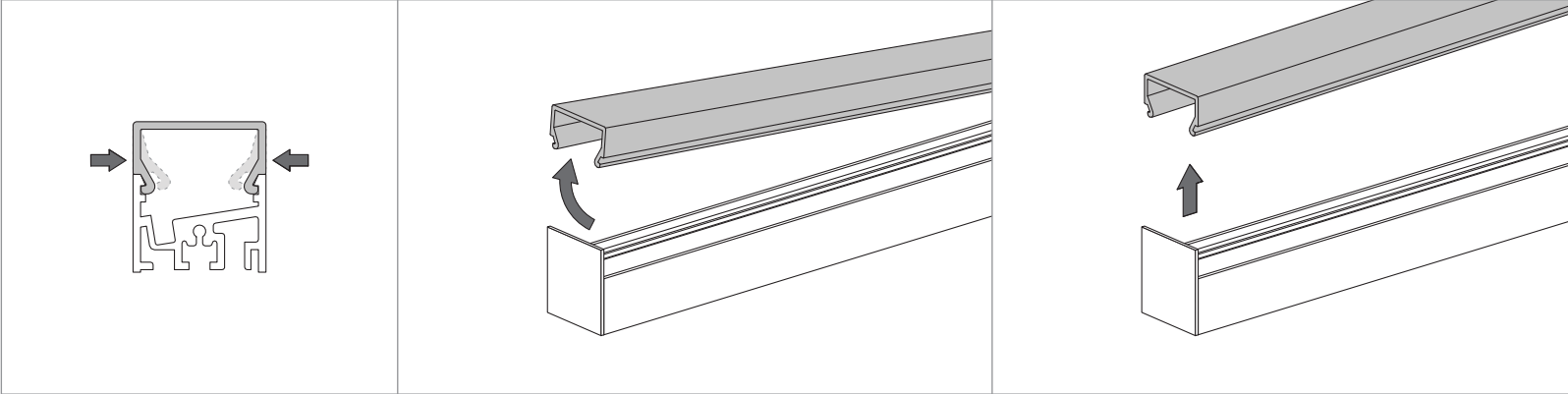


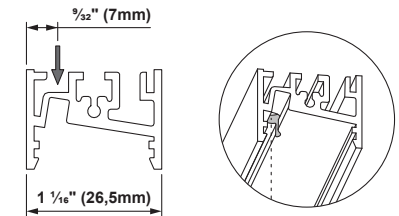
SLD 25 (preparation)

US_9344XXXX

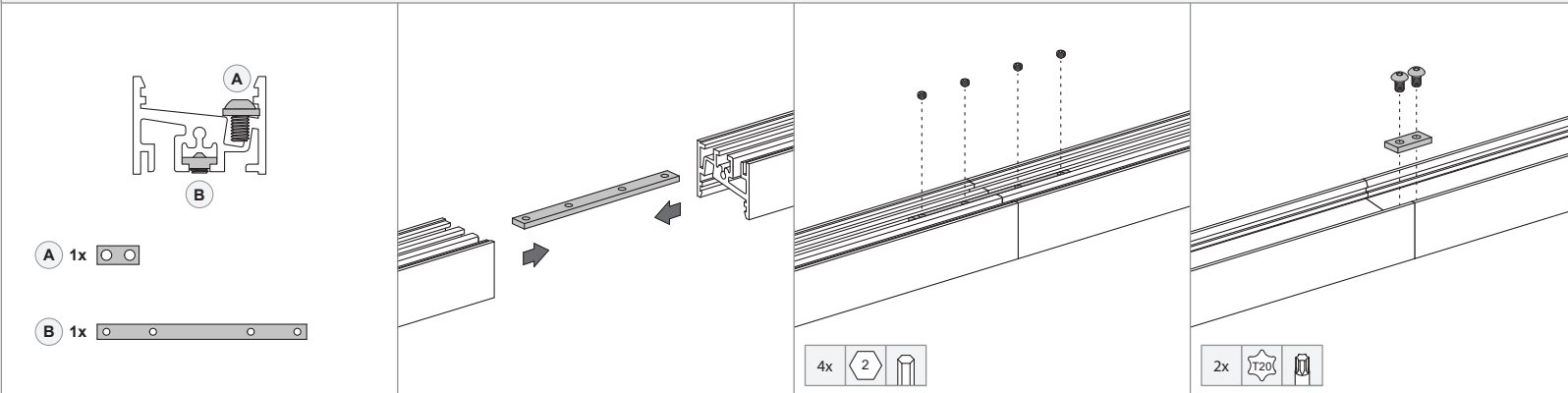
Click the PC diffuser out of the aluminum base profile.



Drill mounting holes in the base profile (surface installation only).



Make the 180° connections (optional).



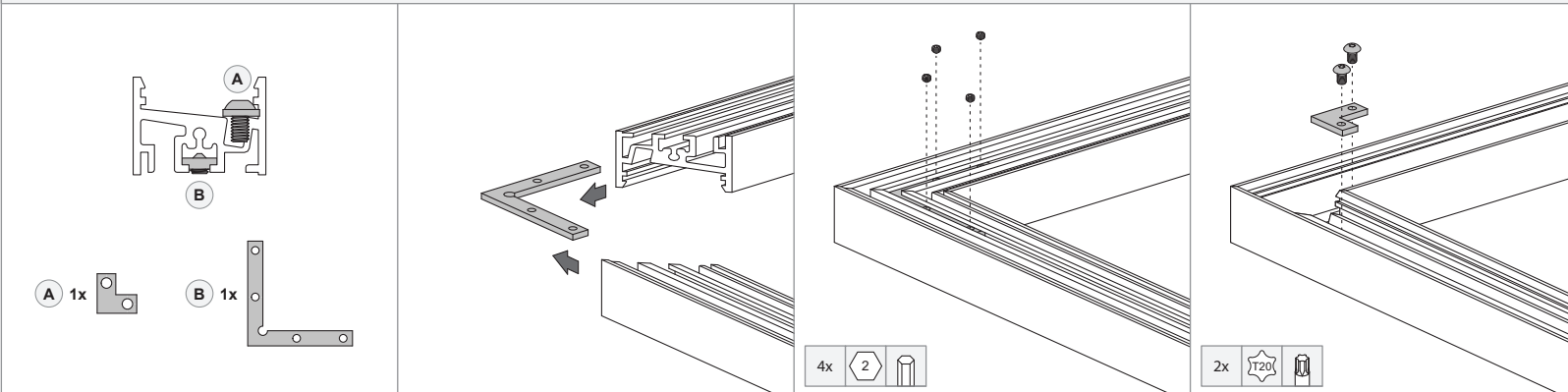
PROFILE SECTION (LENGTH)	MOUNTING HOLES (MINIMUM AMOUNT)
< 2m	2
2m - 3m	3
3m - 4m	4

for conversion, meters to feet: 1m = 3.28ft

mounting holes: maximum Ø 3/16" (5mm)

ⓘ Mounting holes can be milled by Modular Lighting Instruments. Check www.supermodular.com or connect with your sales contact.

Make the 90° connections (optional).



INSTALLATION INSTRUCTION

- Read all instructions.
- Save these instructions.

BASIC SAFETY PRECAUTIONS

- Suitable for damp locations.

PREVENTING ELECTROSTATIC DAMAGE



A discharge of static electricity may damage sensitive components. Always be properly grounded when touching leads or circuitry inside the luminaire. Use a wrist strap connected by a ground cord to the housing. Avoid touching the light sources with bare hands.

PC DIFFUSER



Local conditions (e.g. heat, humidity...) can lead to expansion of the diffuser. Therefore it may be necessary to shorten the diffuser on site.

POWER SUPPLIES & ACCESSORIES

For latest version of all power supplies and available accessories check www.supermodular.com or connect with your sales contact.

SLD 25 (LED strip)

US_9344XXXX

Before mounting the LED strip.

The LED strip mounting surface must be smooth, clean, dry and free from oil, waxes or grease.

Apply a thin, uniform coat of 3M Primer 94 (tape primer) or equivalent on the surface of the profile where the LED strip will be mounted. Wait at least 5 minutes before mounting the LED strip.

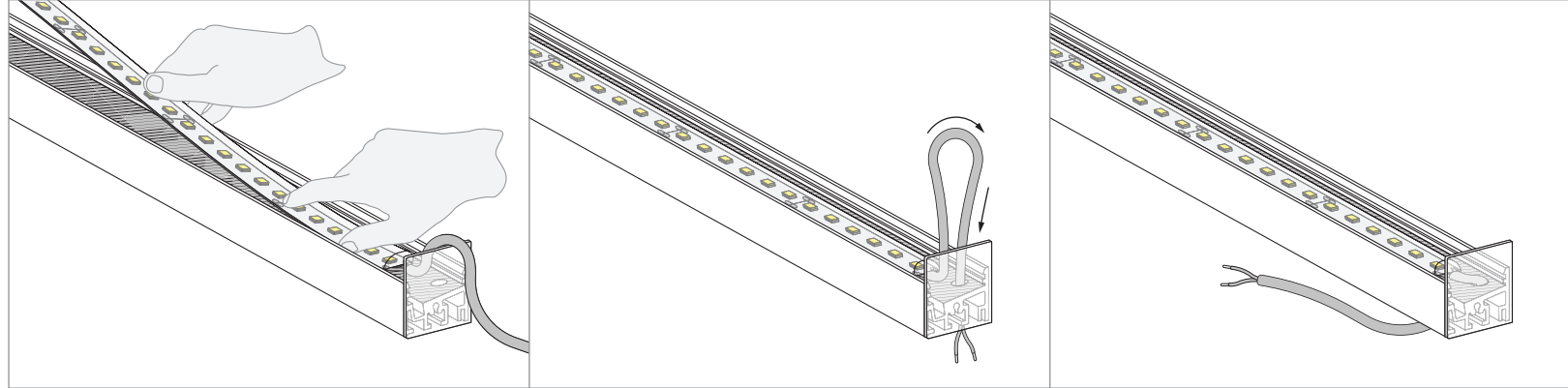


See individual LED strip installation instructions for electrical features (electrical ratings, connections...) and mechanical features (cutting, mounting...).

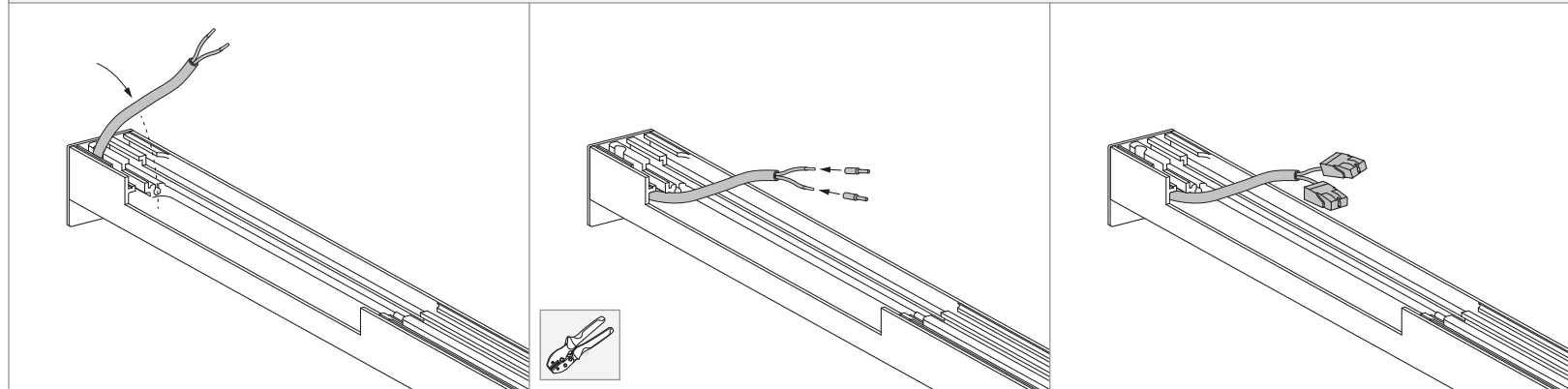


LED strips can be mounted by Modular Lighting Instruments. Check www.supermodular.com or connect with your sales contact.

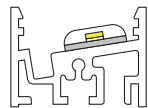
Mount the LED strip and guide the cable through the cable hole.



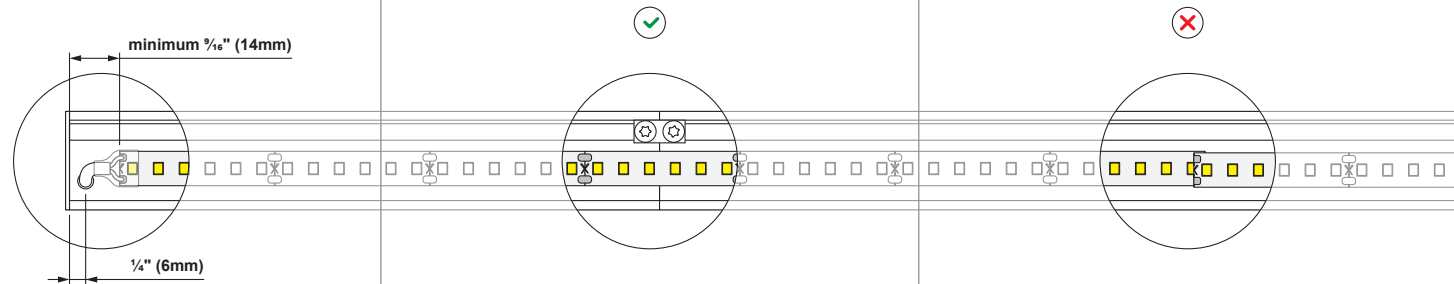
Run the cable to the milled area (where the supply connection will be made), add the wire pins and add the connectors.



LED strip mounting surface.



Notes.



Respect minimum distance between LED strip and endplate.

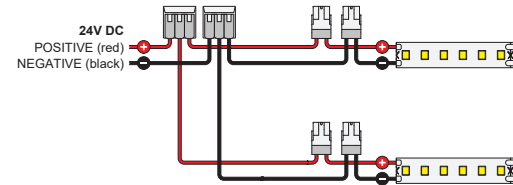
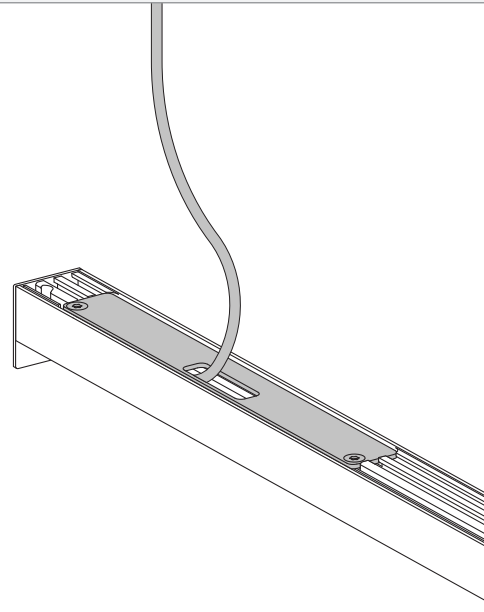
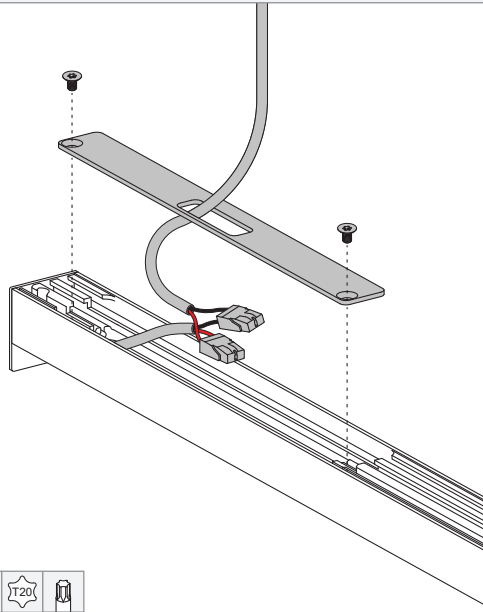
LED strip may run over 180° connections.

Multiple LED strips may not overlap.

SLD 25 surface

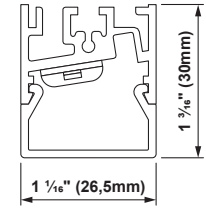
US_9344XXXX

Make the supply connection.

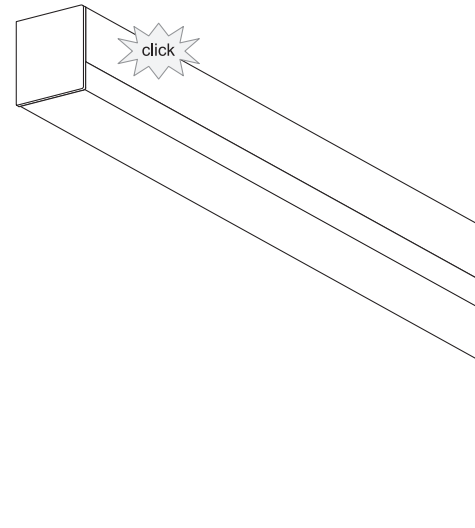
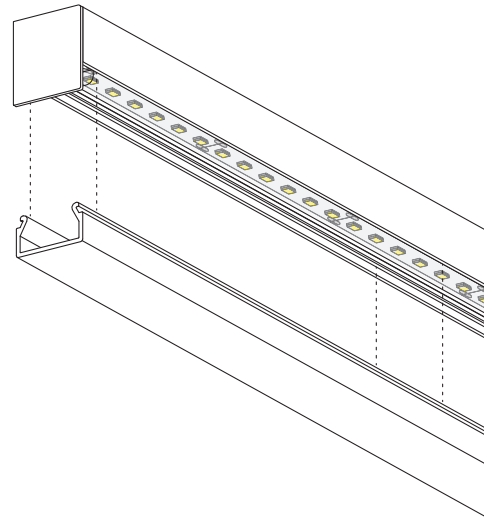
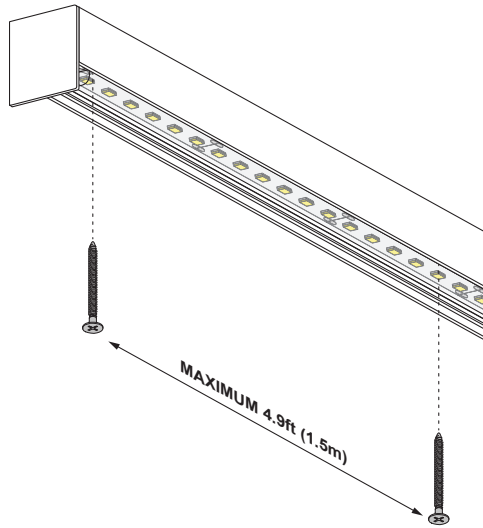


Make sure power is off when making or changing electrical connections. Respect the polarity. Always use a parallel connection for multiple luminaires on a single power unit. Use only with a class 2 power unit.

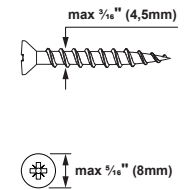
Dimensions.



Mount the base profile with LED strip and add the diffuser.



Mounting screws (not included).

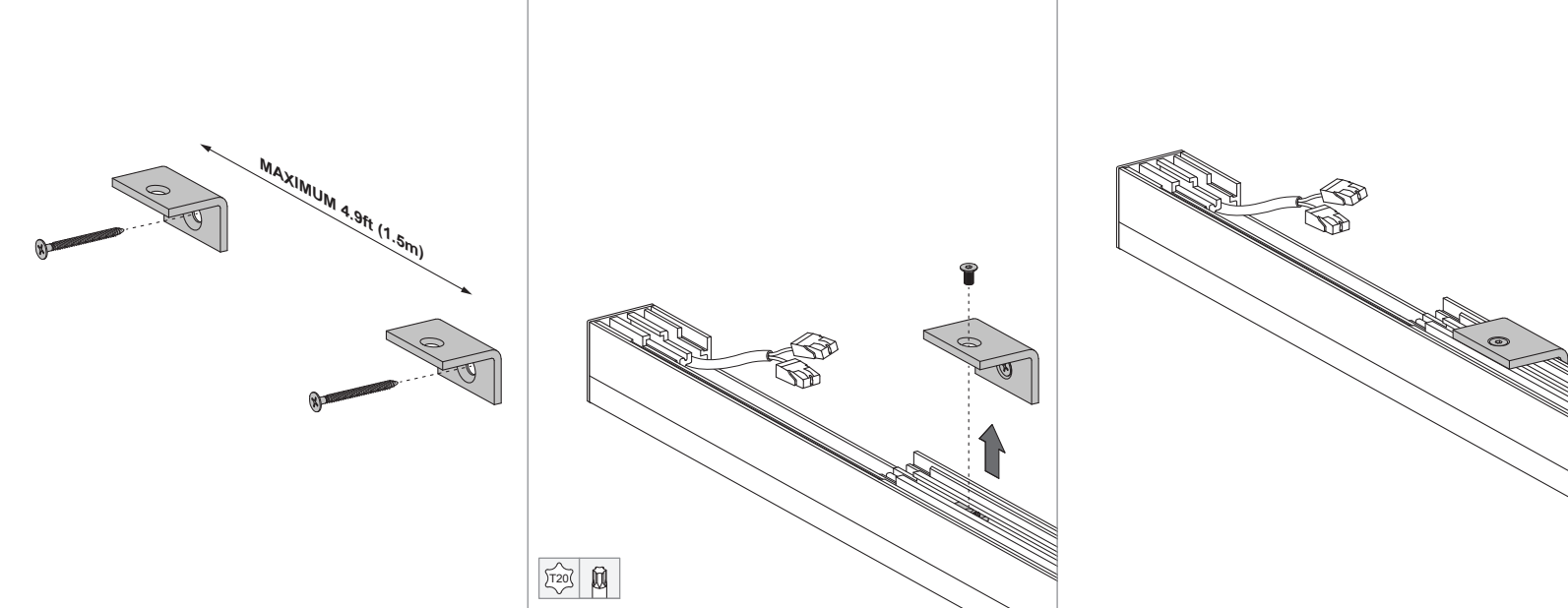


Screw into studs or use an appropriate anchoring system.

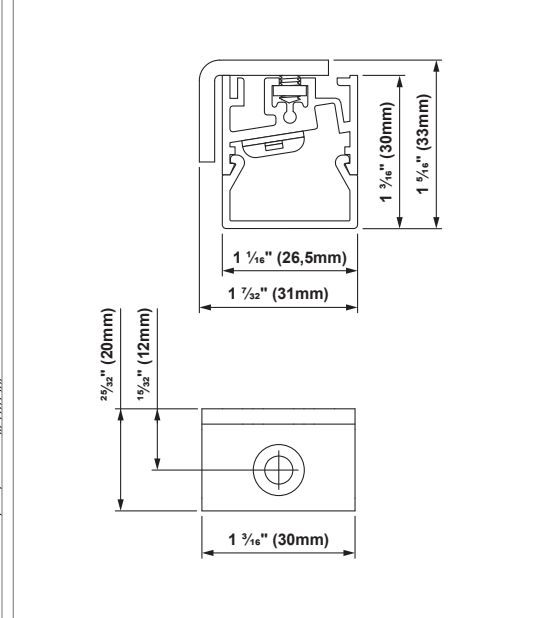
SLD 25 wall

US_9344XXXX

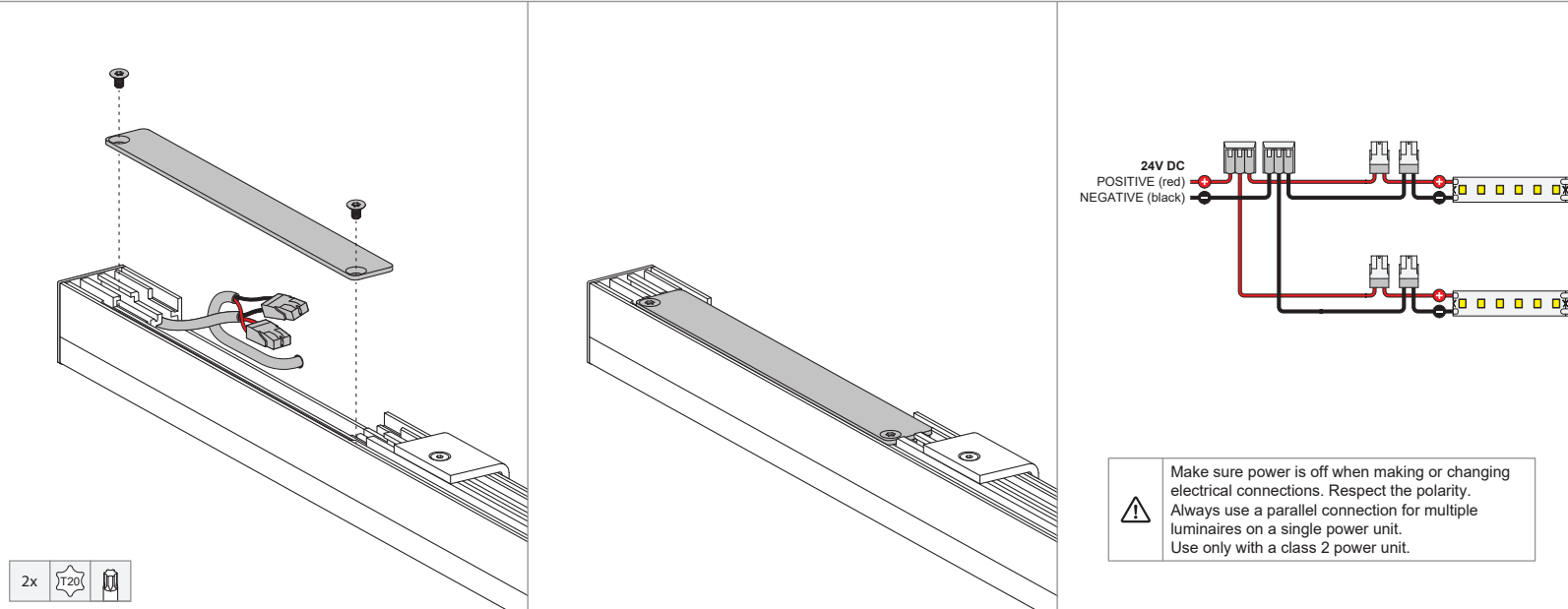
Mount the base profile with LED strip and diffuser.



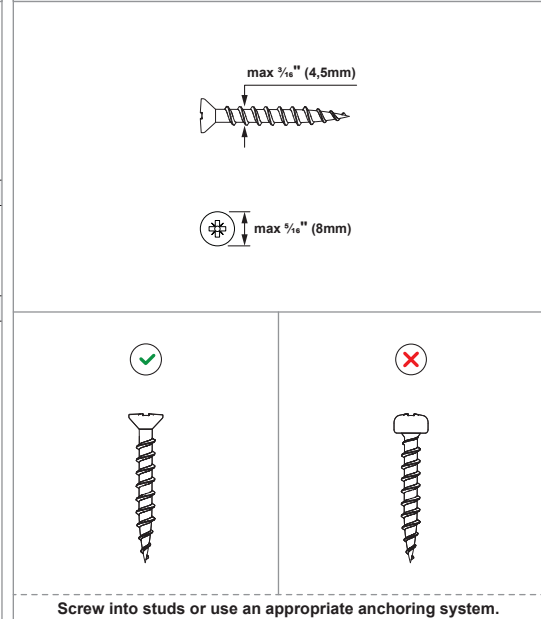
Dimensions.



Make the supply connection.



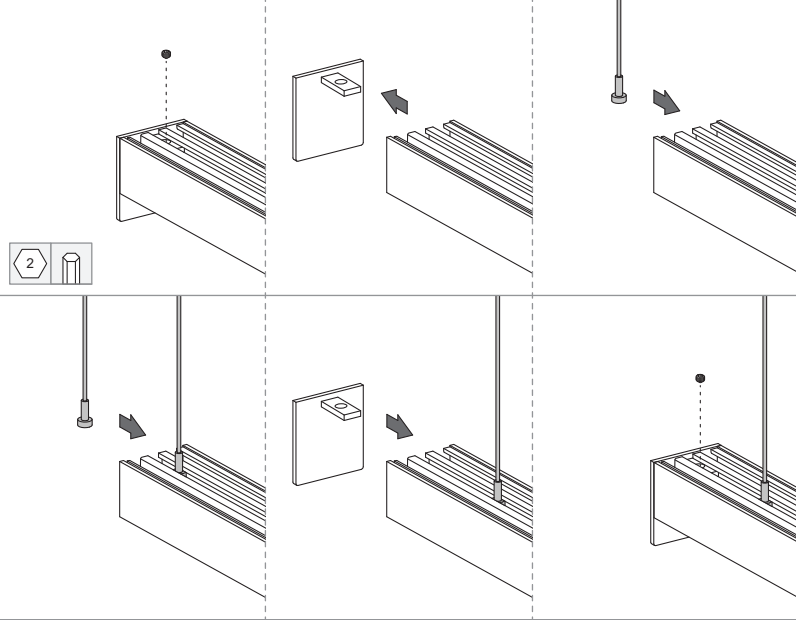
Mounting screws (not included).



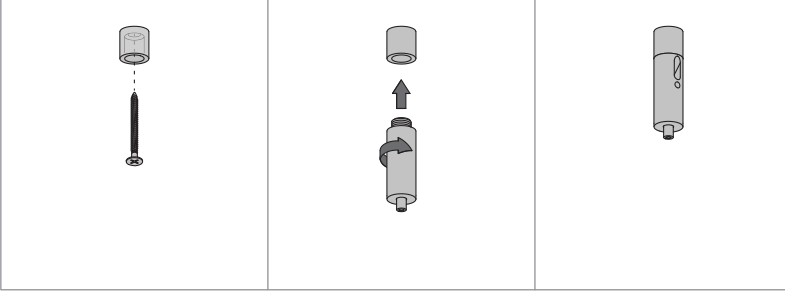
SLD 25 suspended (1/2)

US_9344XXXX

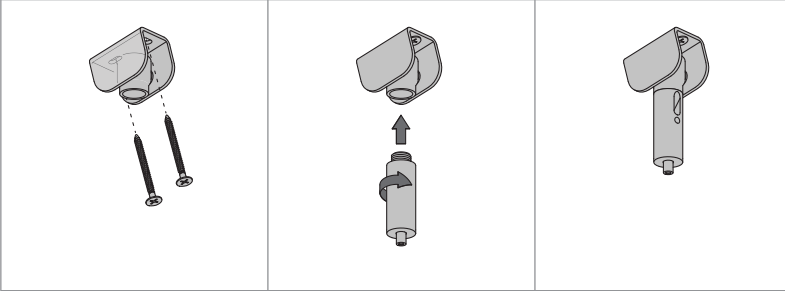
Add the steel cables to the profile.



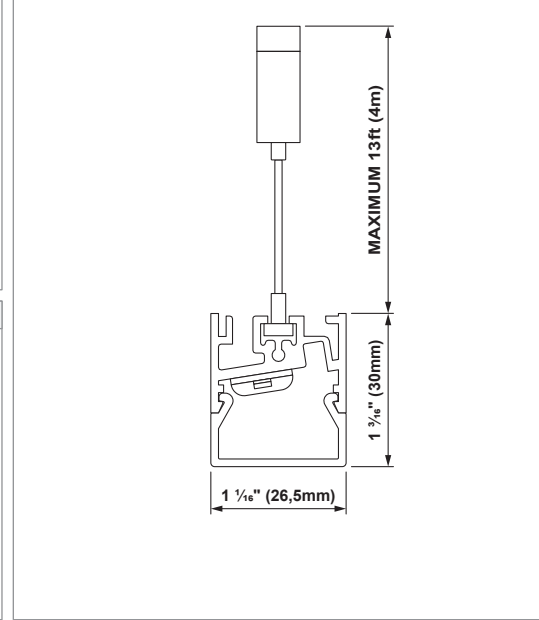
Mount the cable holders to the ceiling.



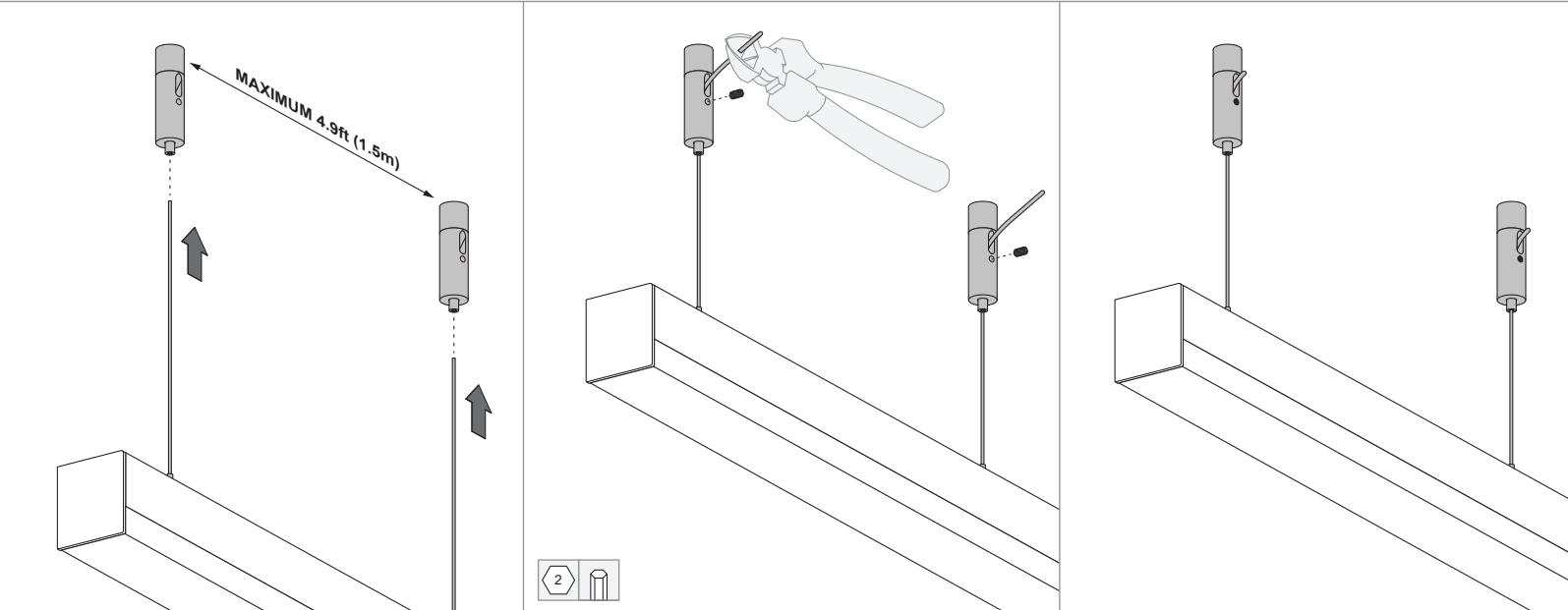
Cable holders can be combined with additional hinges for sloped ceilings (optional).



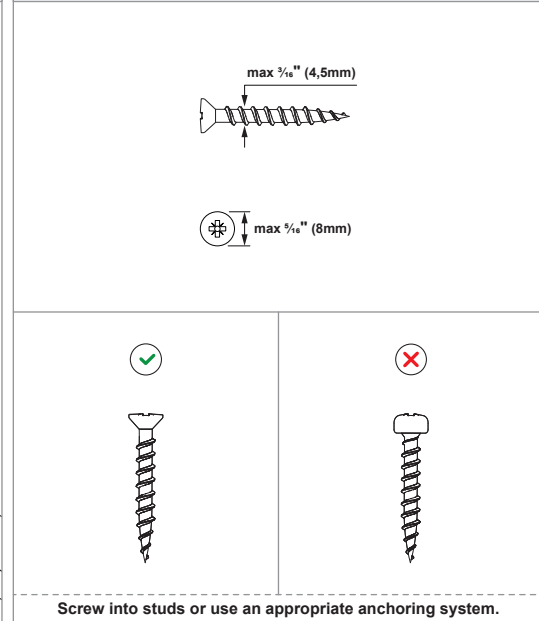
Dimensions.



Mount the base profile with LED strip and diffuser.



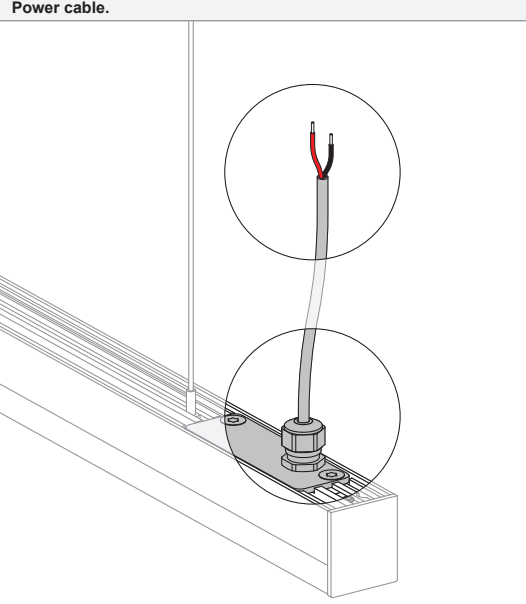
Mounting screws (not included).



SLD 25 suspended (2/2)

US_9344XXXX

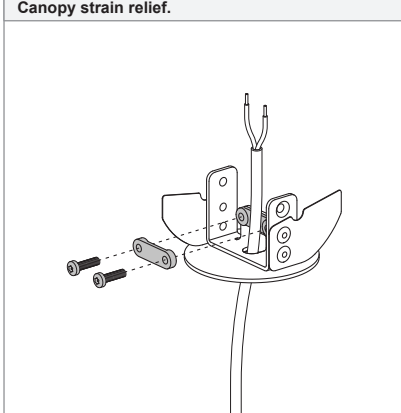
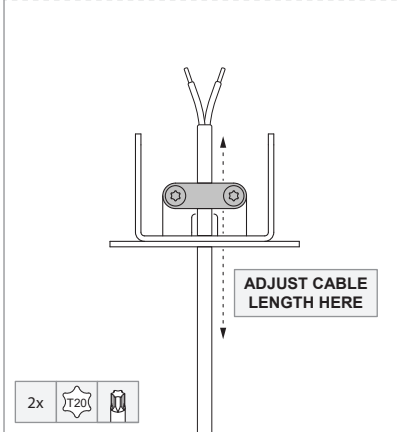
Power cable.





Connect the power cable directly to a surface mounted power supply, or add the canopy to connect to a remote power supply.

Do not disconnect the power cable from the cable gland. Do not disconnect the cable gland from the base profile.

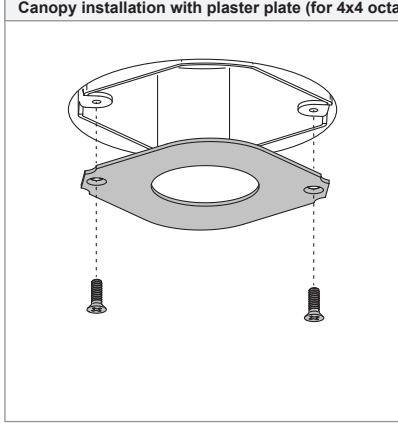
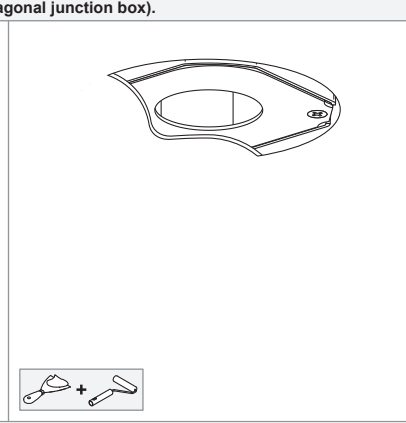
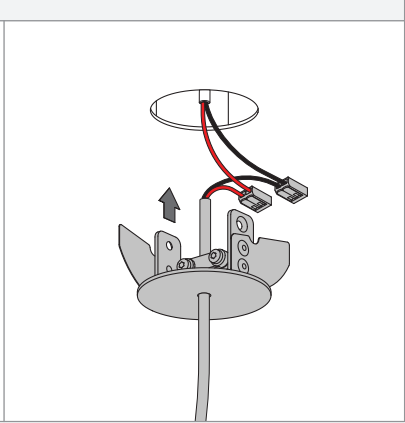
Canopy strain relief.






ADJUST CABLE LENGTH HERE

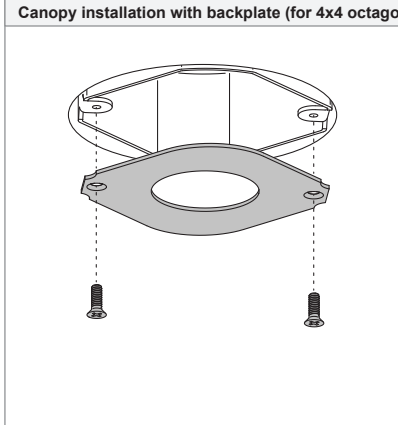
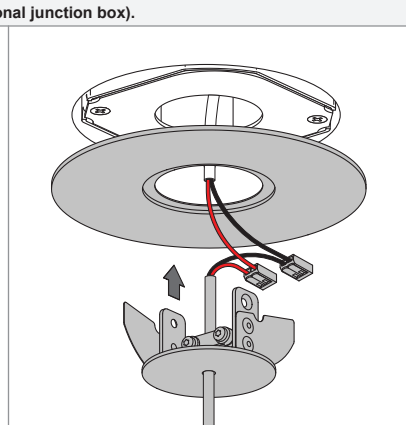
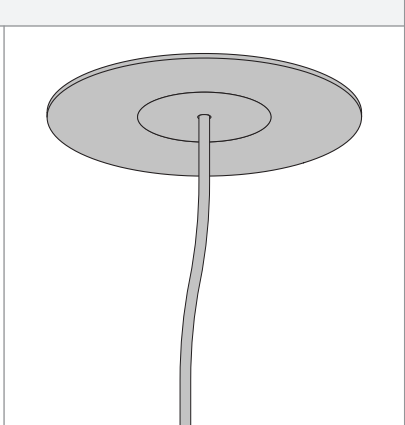
2x  

Canopy installation with plaster plate (for 4x4 octagonal junction box).

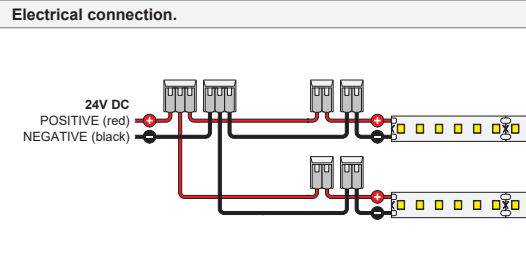




 + 

Canopy installation with backplate (for 4x4 octagonal junction box).

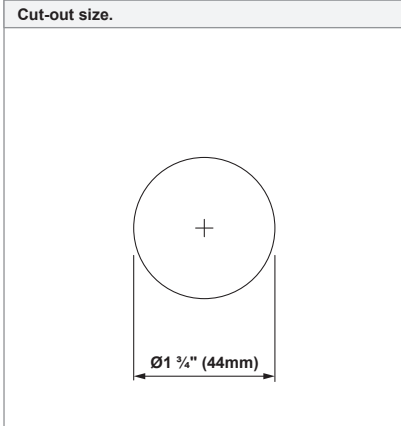
Electrical connection.



24V DC
POSITIVE (red)
NEGATIVE (black)

Make sure power is off when making or changing electrical connections. Respect the polarity. Always use a parallel connection for multiple luminaires on a single power unit. Use only with a class 2 power unit.

Cut-out size.



Ø1 3/4" (44mm)

Canopy installation with connection box (for installation without junction box).

