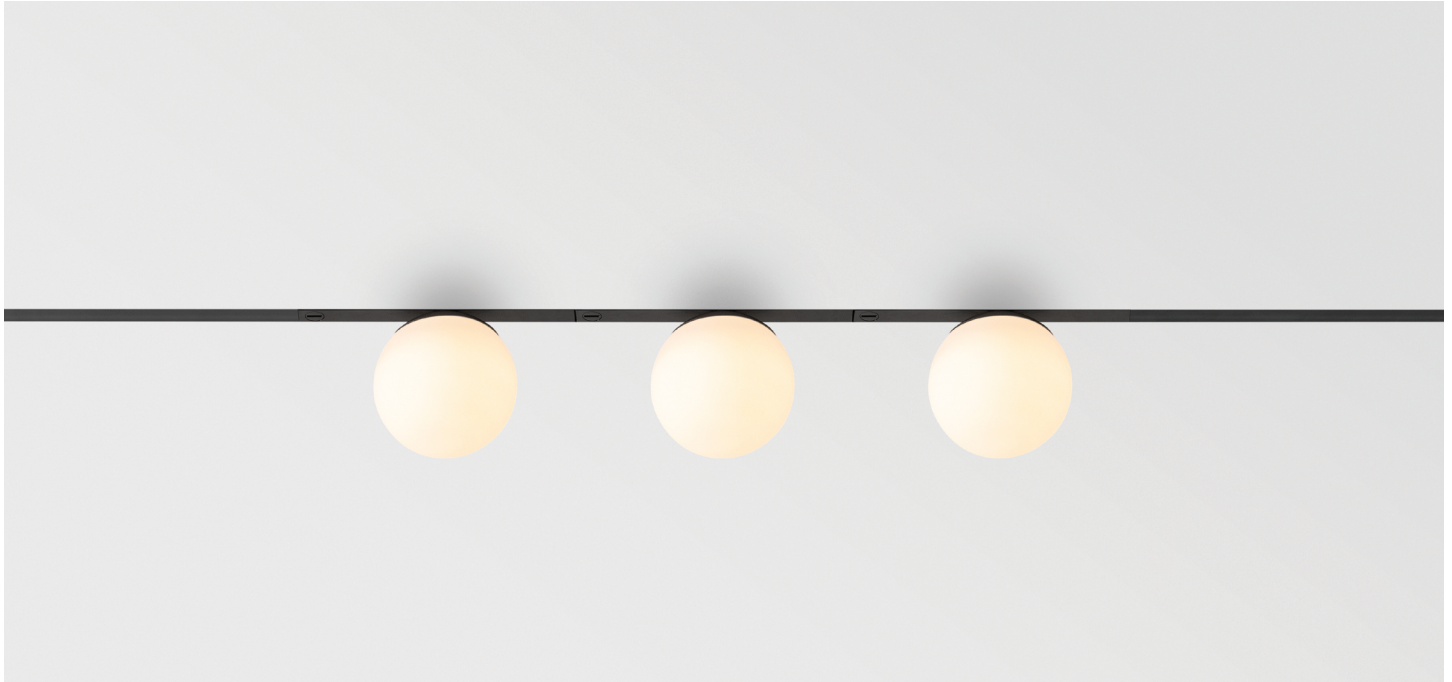


Gamin Track 48V 3.5

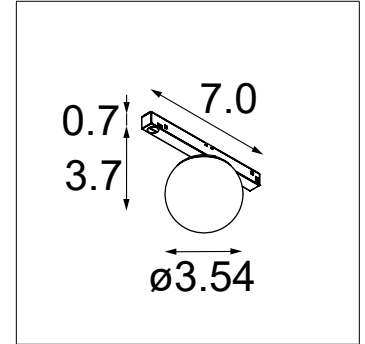
Overview



Explore endless configurations on our Pista Track 48V with Gamin, and enjoy its soft, diffuse light. Click it in on Pista Track 48V Surface, Pista Track 48V Recessed or Pista Track 48V Suspended, and try it with warm dim technology.

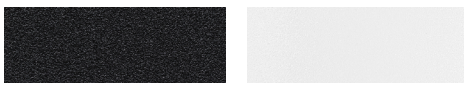
Luminaire Specifications

- For use with Pista 48V track systems
- Body material: aluminum
- Body finish: powder coat
- Glass material: 3-layer hand blown glass
- Upon insertion, fixtures lock into the track
- Fixtures can be moved in the track by sliding
- Fixtures can be unlocked / removed from the track with a flathead screwdriver



Gamin Track 48V 3.5 1x

Finish Information



Black Structure (BLS)
Powder Coat (Matte)

White Structure (WHS)
Powder Coat (Matte)

Pista Track Compatibility

	Surface Track Suspended Track	Suspended Up / Down Track		Recessed Flanged Track	Recessed Trimless Track
		Up Portion	Down Portion		
Gamin Track 48V 3.5 1x	Ⓜ		Ⓜ	Ⓜ	Ⓜ

See separate track datasheets for track information and accessories

Ordering Information

GAMIN-T48-3.5-1X			DY		DI	
GAMIN-T48-3.5-1X	Gamin Track 48V 3.5 1x	27 2700K	DY Dry Location	0101 0-10V		BLS Black Structure
		30 3000K		D DALI		WHS White Structure
		35 3500K				
		WD Warm Dim 3000K - 1800K				

Performance Specifications (per luminaire)

	Fixed CCT	Warm Dim
Weight	0.62lbs	0.62lbs
Location	dry	dry
CRI*	92, R9: 71	95, R9: 88
Lifetime	L80 B20 @ 50.000 hrs	L80 B20 @ 50.000 hrs
UGR	see website	see website

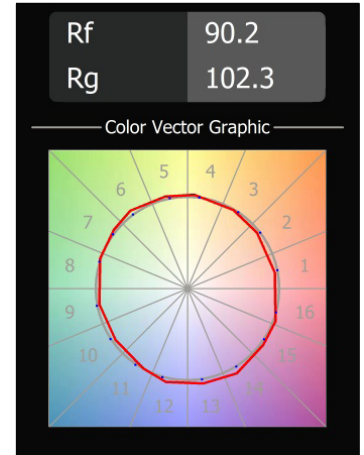
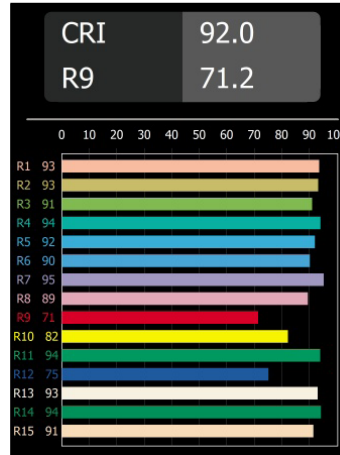
Electrical (typical)

Lamp Units	Dim Type	Input Voltage	Connected Load	Dim Level***
1X Fixed CCT	0-10V	48VDC	8.5W	1%
1X Fixed CCT	DALI**	48VDC	8.5W	1%
1X Warm Dim	0-10V	48VDC	8.0W	1%
1X Warm Dim	DALI**	48VDC	8.0W	1%

* CRI & TM-30 Value for 3000K

** Compatible with Casambi Wireless Pista Module. See track datasheets for more details

*** Consult the factory for dimmer compatibility



For photometric files see website or contact factory.

Output Specifications (per head)

Reference Delivered Lumens	CCT	Finish
702 (ref. 3000K, WHS)	2700K (0.96) 3000K (1.00) 3500K (1.07)	BLS (0.87) WHS (1.00)
365 (ref. 3000K-1800K, WHS)	3000K - 1800K (1.00)	BLS (0.98) WHS (1.00)

Multipliers are indicated between brackets: ()

Example calculation, to determine typical output for 2700K, Black Structure: 702 x (0.96) x (0.87) = 586 lumens

Listings and Certifications

- Classified: cULus
- Dry locations



Warranty

- Visit <https://www.supermodular.com/warranty>