

## Rektor Track 48V Adjustable 2.2X2.0

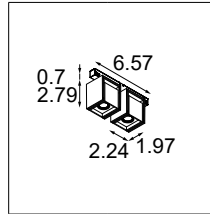
### Overview



Rektor Track 48V showcases the distinguished effects of right angles and accented light. Its miniaturised, industrial design works wonders on our 48V track system, making it an attractive and relevant choice for residential and hospitality spaces.

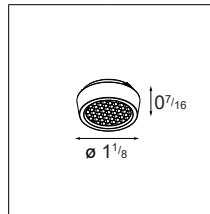
### How to Specify (example)

#### 1. Select Lamp / Body → Page 2



Example: **REKTO-T48-A-2X2-2X-MG-30M-DY-0101-WHS**  
 Rektor Track 48V Adjustable 2.2X2.0, 2 lamp version, microprismatic glass, 3000K medium, dry rated, 0-10V, white structure

#### 2. Select Optical Accessory → Page 3



Example: **O-HC-1.0-BL**  
 Honeycomb Ø1.0", black

Example order:

Quantity	Item
1	<b>REKTO-T48-A-2X2-2X-MG-30M-DY-0101-WHS</b>
2	<b>O-HC-1.0-BL</b>

## Rektor Track 48V Adjustable 2.2X2.0

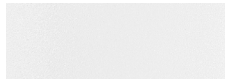
### Luminaire Specifications

- For use with Pista 48V track systems
- Aperture: 1"
- Body material: aluminum
- Body finish: powder coat
- Upon insertion, fixtures attach magnetically to the track
- Fixtures can be moved in the track by sliding
- Force to remove from track: 13.5lbs

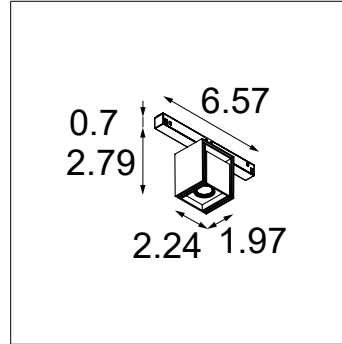
### Finish Information



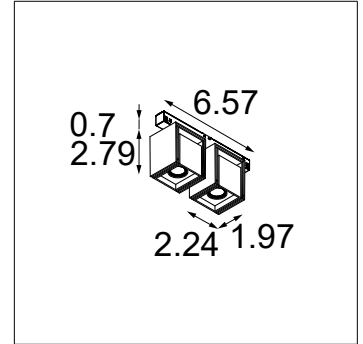
Black Structure (BLS)  
Powder Coat (Matte)



White Structure (WHS)  
Powder Coat (Matte)



Rektor Track 48V Adjustable 2.2X2.0 1x



Rektor Track 48V Adjustable 2.2X2.0 2x

### Pista Track Compatibility

	Surface Track Suspended Track	Suspended Up / Down Track		Recessed Flanged Track	Recessed Trimless Track
		Up Portion	Down Portion		
Rektor Track 48V Adjustable 2.2X2.0 1x	Ⓜ		Ⓜ	Ⓜ	Ⓜ
Rektor Track 48V Adjustable 2.2X2.0 2x	Ⓜ		Ⓜ	Ⓜ	Ⓜ

See separate track datasheets for track information and accessories

### Ordering Information

REKTO-T48-A-2X2					DY		
Rektor Track 48V Adjustable 2.2x2.0	<b>1X</b> 1 Lamp	<b>FG</b> Frosted Glass <sup>(1)</sup>	<b>27</b> 2700K	<b>F</b> Flood (42°) <sup>(3) (4)</sup>	<b>DY</b> Dry Location	<b>0101</b> 0-10V	<b>BLS</b> Black Structure
	<b>2X</b> 2 Lamp	<b>MG</b> Microprismatic Glass	<b>30</b> 3000K	<b>M</b> Medium (28°)		<b>D</b> DALI	<b>WHS</b> White Structure
			<b>35</b> 3500K				
			<b>WD</b> Warm Dim 3000K - 1800K <sup>(2)</sup>				

<sup>(1)</sup> Frosted Glass can only be combined with a Flood beam angle

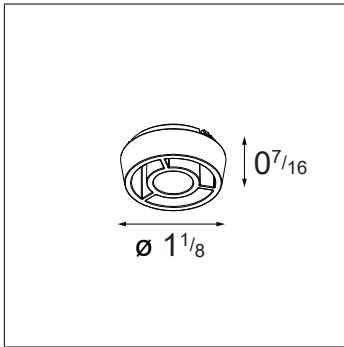
<sup>(2)</sup> Warm Dim can only be combined with a Flood beam angle

<sup>(3)</sup> Microprismatic Glass Warm Dim version: 44°

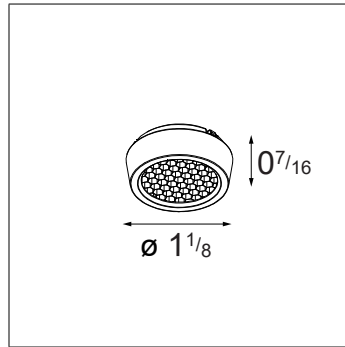
<sup>(4)</sup> Frosted Glass version / Frosted Glass Warm Dim version: 50°

**Optical Accessories Specifications**

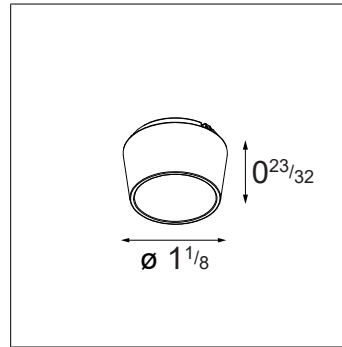
- Accessories are optional
- Accessories can be installed / changed in the field
- Consult website for photometric performance



Crossblade Louver Ø1.0"



Honeycomb Louver Ø1.0"



Snoot Ø1.0"

**Finish Information**



Black (BL)  
 PBT (Matte)

**Ordering Information**

<b>O</b>	-		-	<b>1.0</b>	-	<b>BL</b>
<b>O</b>	-		-	<b>1.0</b>	-	<b>BL</b>

<b>O</b>	Optical	<b>CB</b>	Crossblade Louver	<b>1.0</b>	Ø1.0"	<b>BL</b>	Black
		<b>HC</b>	Honeycomb Louver				
		<b>SN</b>	Snoot				

## Rektor Track 48V Adjustable 2.2X2.0

### Performance Specifications (per luminaire)

	Fixed CCT	Warm Dim
Weight (1x version)	0.61lbs	0.61lbs
Weight (2x version)	1.10lbs	1.10lbs
Adjustability	360° x 110°	360° x 110°
Location	dry	dry
CRI*	92, R9: 72	95, R9: 88
Lifetime	L80 B20 @ 50,000 hrs	L80 B20 @ 50,000 hrs
UGR	see website	see website

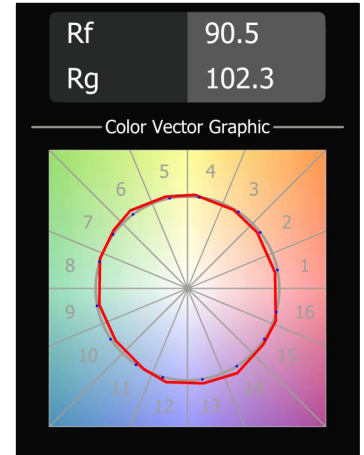
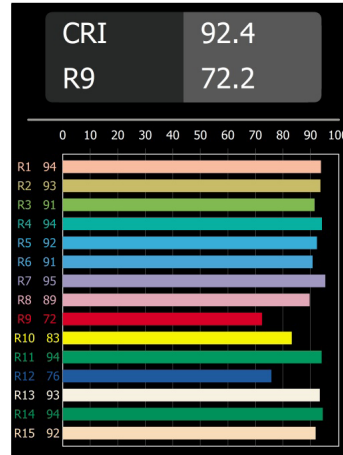
#### Electrical (typical)

Lamp Units	Dim Type	Input Voltage	Connected Load	Dim Level***
1x Fixed CCT	0-10V	48VDC	7.0W	1%
1x Fixed CCT	DALI**	48VDC	7.0W	1%
1x Warm Dim	0-10V	48VDC	7.0W	1%
1x Warm Dim	DALI**	48VDC	7.0W	1%
2x Fixed CCT	0-10V	48VDC	13.0W	1%
2x Fixed CCT	DALI**	48VDC	13.0W	1%
2x Warm Dim	0-10V	48VDC	13.0W	1%
2x Warm Dim	DALI**	48VDC	13.0W	1%

\* CRI & TM-30 Value for 3000K

\*\* Compatible with Casambi Wireless Pista Module. See track datasheets for more details

\*\*\* Consult the factory for dimmer compatibility



For photometric files see website or contact factory.

### Output Specifications (per head)

Reference Delivered Lumens	CCT	Finish	Finish
561 (ref. 3000K, MG M, WHS)	2700K (0.98) 3000K (1.00) 3500K (1.08)	FG F (0.90) MG F (1.03) MG M (1.00)	BLS (0.96) WHS (1.00)
374 (ref. 3000K-1800K, MG M, WHS)	3000K - 1800K (1.00)	FG F (0.87) MG F (1.01)	BLS (0.93) WHS (1.00)

Multipliers are indicated between brackets: ( )

Example calculation, to determine typical output for 2700K, Microprismatic Glass Flood, Black Structure: 561 x (0.98) x (1.03) x (0.96) = 543 lumens

### Listings and Certifications

- Classified: cULus
- Dry locations



### Warranty

- Visit <https://www.supermodular.com/en-us/warranty>