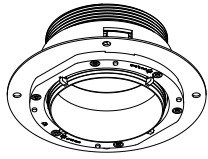


Concrete ring Ø62 for standard concrete boxes

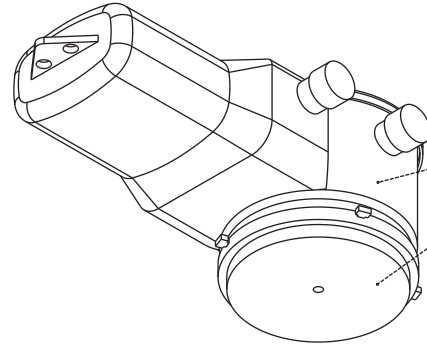
13515630

INCLUDED - 13515630 Concrete ring Ø62 for standard concrete boxes

COMPATIBLE WITH
TETRIX 62



NOT INCLUDED - CONCRETE INSTALLATION HOUSING

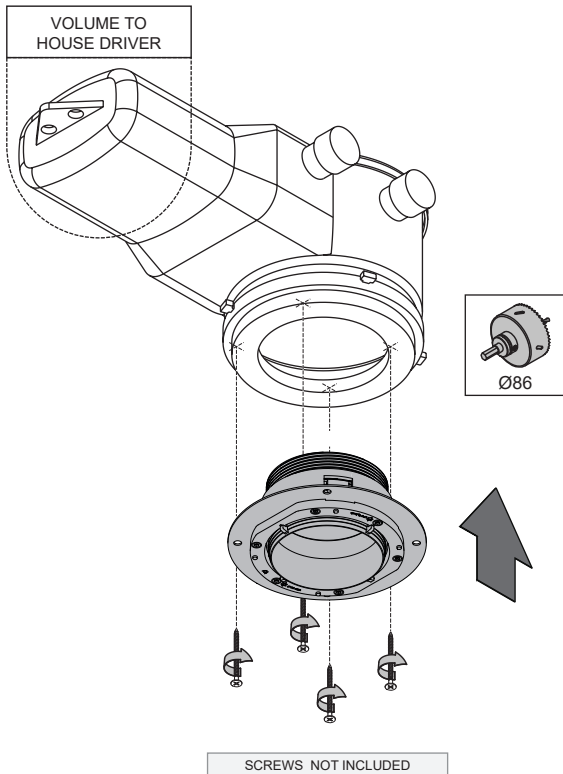


KAISER REFERENCE

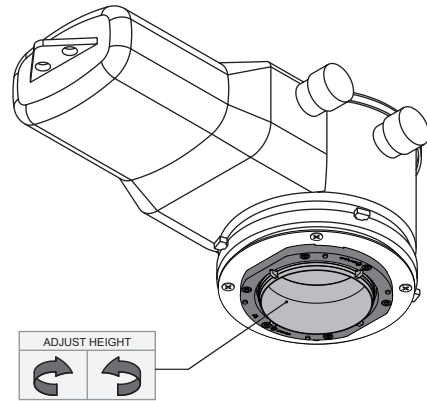
HALOX 100 with Tunnel 190
art ref 1281-30

HALOX 100 universal front
art ref 1281-11

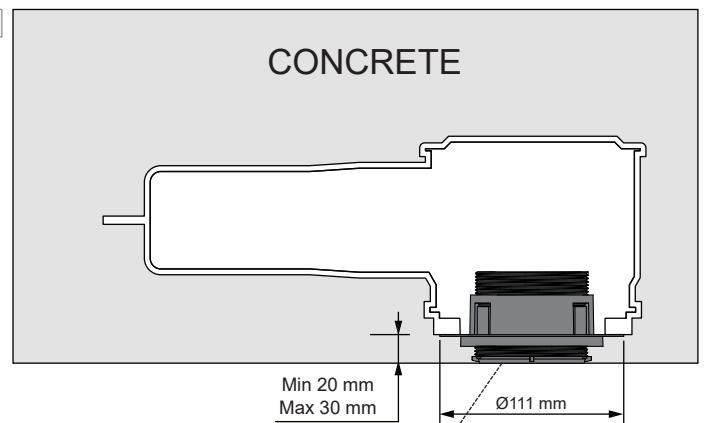
1



2



3



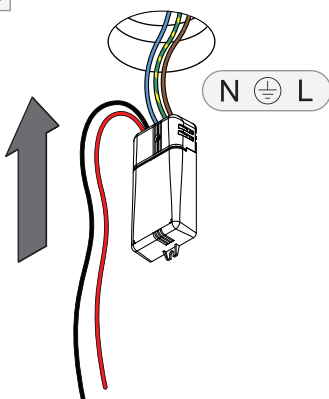
When pouring concrete, the concrete ring should be flush and parallel with the formwork.



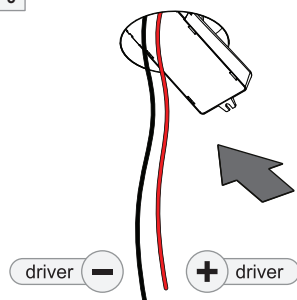
PREVENTING INSTALLATION PROBLEMS

Visual concrete is specialist work. Respect installation instructions of your choice of manufacturer of visual concrete installation housings. Modular Lighting Instruments can not be held responsible for a bad installation.

4



5



6

