

MINUDE RECESSED TRIMLESS 49 1X

Description

Non-directional, bell-shaped deep recessed luminaire with COB LED technology. Suitable for wall and ceiling application. Available in 3 different designs: recessed, recessed trimless and recessed 'out' (meaning the luminaire is only partially recessed as a cylindrical part of the luminaire body protrudes from the mounting surface for about 23mm).

The luminaire consists of 4 main mechanical components: the bell-shaped body, a heatsink, a pair of leaf springs, a glass lens for optimum beam shape and anti-glare performance. The luminaire doesn't contain a LED driver, so has to be combined with an appropriate constant current LED driver (350mA or 500mA).

No visible screws or wires after installation. For indoor use. Suitable for wet locations (IP54). The trimless luminaire can be combined with various built-in accessories such as plaster or concrete rings for use in plasterboard, concrete and brick walls or ceilings.

Materials

- Aluminium body finished in fine-textured scratch-resistant powder coating matt black or matt white. Also available in bronze, silver bronze, champagne and matt black sanded anodization and in black chrome high gloss finish. Or finished in raw aluminium covered with a matt transparent, slightly tinted varnish
- Aspherical lens optic in glass
- Aluminium heatsink, finished in black electroplating
- Internal leaf springs: stainless steel
- Ledholder: black polycarbonate

Technical characteristics

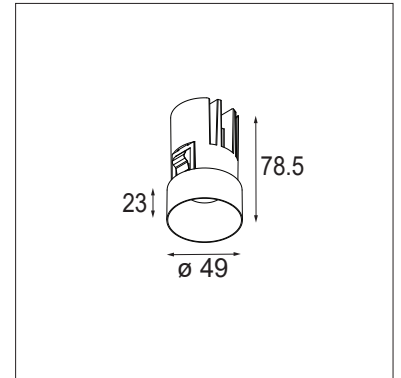
- Dimensions: $\varnothing 49$ mm x 78.5 mm (\varnothing x H)
- Lens: spot (16°) and medium (28°)
- COB high-power LED
- Colour temperature: 2700K or 3000K (3500K and 4000K on request)
- CRI90+
- 2SDCM
- Luminaire output: 630lm (@500mA, medium beam angle, 3000K and white structure painted luminaire)
- Power consumption: 8.5W (@500mA, driver excluded)
- Luminaire efficacy: 74 lm/W
- UGR 14
- Luminaire efficiency: 64%
- For connection to an electronic constant current LED driver: choose from driver matrix
- Class 3
- Suitable for wet locations (IP54)
- Only for indoor use
- Glow wire rating: 960°C
- Lifetime: L80B20 @50.000 hours
- Warranty period: 5 years on LEDs, 5 years on drivers

Installation of trimless version

- Recessed mounting in ceiling or wall. Unit must not be covered with insulation.
- Electrical connection: connection to a suitable constant current LED driver via 2 leads (red and black, 300mm each) and two splicing connectors suitable for stranded and solid wires from 0.2mm² to 4mm² (24-12 AWG) (included with product)
- The way of installation depends on the type of luminaire and type of ceiling (with trim or trimless).
 - Always to be combined with a trimless ring accessory in which the luminaire clicks by means of 2 leaf springs.
 - In case of exposed concrete finish: A separate concrete ring to be used in combination with a standard plastic concrete box solution
 - In case ceilings that are plastered afterwards: A separate trimless ring should be used. The ring is in height adjustable, depending on the plaster thickness applied.

Accessories

Concrete and plaster ring available



Standards and directives:

- 2006/95/EC - Low Voltage Directive
- 2004/108/EC - EMC Directive
- 2011/65/EU - RoHS Directive
- 2009/125/EC - Ecodesign Directive
- 245/2009/EC + 347/2010/EU - Ecodesign Directive
- 1194/2012/EU - Ecodesign Regulation
- EN 60598-1:2008 +A11:2009 - Luminaires. General requirements and tests
- EN 62471:2008 - Photobiological safety of LED lamps and lamp systems
- EN 62493: 2010 - Assessment of lighting equipment related to human exposure to electromagnetic fields
- EN 60598-2-2:2012 - Recessed luminaires
- EN 55015:2006 +A1:2007 +A2:2009 - Limits and methods of measurement of radio disturbance characteristics of electrical lighting and similar equipment
- EN 61000-3-2:2006 +A1,A2:2009 - Limits for harmonic current emissions (equipment input current ≤ 16 A per phase)
- EN 61000-3-3:2013 - Limitation of voltage changes, voltage fluctuations and flicker in public low-voltage supply systems, for equipment with rated current ≤ 16 A per phase and not subject to conditional connection
- EN 61547:2009 - EMC Immunity Requirements
- EN 50581:2012 - Technical documentation for the assessment of electrical and electronic products with respect to the restriction of hazardous substances