

## Description

Non-directional, bell-shaped deep recessed luminaire with COB LED technology. Suitable for wall and ceiling application. Available in 3 different designs: recessed, recessed trimless and recessed 'out' (meaning the luminaire is only partially recessed as a cylindrical part of the luminaire body protrudes from the mounting surface for about 23mm).

The luminaire consists of 4 main mechanical components: the bell-shaped body, a heatsink, a pair of leaf springs, a glass lens for optimum beam shape and anti-glare performance. The luminaire doesn't contain a LED driver, so has to be combined with an appropriate constant current LED driver (350mA or 500mA).

No visible screws or wires after installation. For indoor use. Suitable for wet locations (IP54). The trimless luminaire can be combined with various built-in accessories such as plaster or concrete rings for use in plasterboard, concrete and brick walls or ceilings.

## Materials

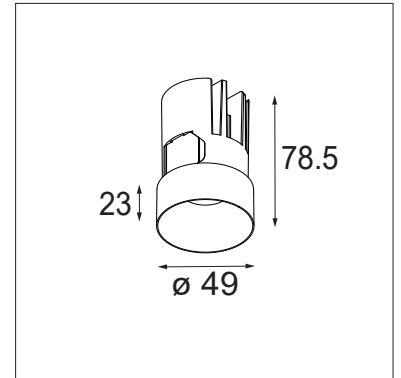
- Aluminium body finished in fine-textured scratch-resistant powder coating matt black or matt white. Also available in bronze, silver bronze, champagne and matt black sanded anodization and in black chrome high gloss finish
- Aspherical lens optic in glass
- Aluminium heatsink, finished in black electroplating
- Internal leaf springs: stainless steel
- Ledholder: black polycarbonate

## Technical characteristics

- Dimensions:  $\varnothing 49$  mm x 78.5 mm ( $\varnothing$  x H)
- Lens: spot ( $16^\circ$ ) and medium ( $28^\circ$ )
- COB high-power LED
- Colour temperature: 2700K or 3000K (4000K on request)
- CRI90+
- 2SDCM
- Luminaire output: 630lm (@500mA, 3000K and white structure painted luminaire)
- Power consumption: 8.5W (@500mA, driver excluded)
- Luminaire efficacy: 74 lm/W
- UGR 14
- Luminaire efficiency: 64%
- For connection to an electronic constant current LED driver: choose from driver matrix
- Class 3
- Suitable for wet locations (IP54)
- Only for indoor use
- Glow wire rating:  $960^\circ\text{C}$
- Lifetime: L80B20 @50.000 hours
- Warranty period: 5 years on LEDs, 5 years on drivers

## Installation of version with trim (Minude Out Recessed)

- Recessed mounting in ceiling or wall. Unit must not be covered with insulation.
- Electrical connection: connection to a suitable constant current LED driver via 2 leads (red and black, 300mm each) and two splicing connectors suitable for stranded and solid wires from  $0.2\text{mm}^2$  to  $4\text{mm}^2$  (24-12 AWG) (included with product)
- The way of installation depends on the type of luminaire and type of ceiling (with trim or trimless).
- In case of false ceiling (in wood, plasterboard, ...): recess hole dimension  $\varnothing 44\text{mm}$ , H100mm. Installation by means of 2 leaf springs that hold the luminaire in the recess hole. No extra installation accessories needed.



## Accessories

Concrete and plaster ring available

### Standards and directives:

- 2006/95/EC - Low Voltage Directive
- 2004/108/EC - EMC Directive
- 2011/65/EU - RoHS Directive
- 2009/125/EC - Ecodesign Directive
- 245/2009/EC + 347/2010/EU - Ecodesign Directive
- 1194/2012/EU - Ecodesign Regulation
- EN 60598-1:2008 +A11:2009 - Luminaires. General requirements and tests
- EN 62471:2008 - Photobiological safety of LED lamps and lamp systems
- EN 62493: 2010 - Assessment of lighting equipment related to human exposure to electromagnetic fields
- EN 60598-2-2:2012 - Recessed luminaires
- EN 55015:2006 +A1:2007 +A2:2009 - Limits and methods of measurement of radio disturbance characteristics of electrical lighting and similar equipment
- EN 61000-3-2:2006 +A1,A2:2009 - Limits for harmonic current emissions (equipment input current  $\leq$  16 A per phase)
- EN 61000-3-3:2013 - Limitation of voltage changes, voltage fluctuations and flicker in public low-voltage supply systems, for equipment with rated current  $\leq$  16 A per phase and not subject to conditional connection
- EN 61547:2009 - EMC Immunity Requirements
- EN 50581:2012 - Technical documentation for the assessment of electrical and electronic products with respect to the restriction of hazardous substances